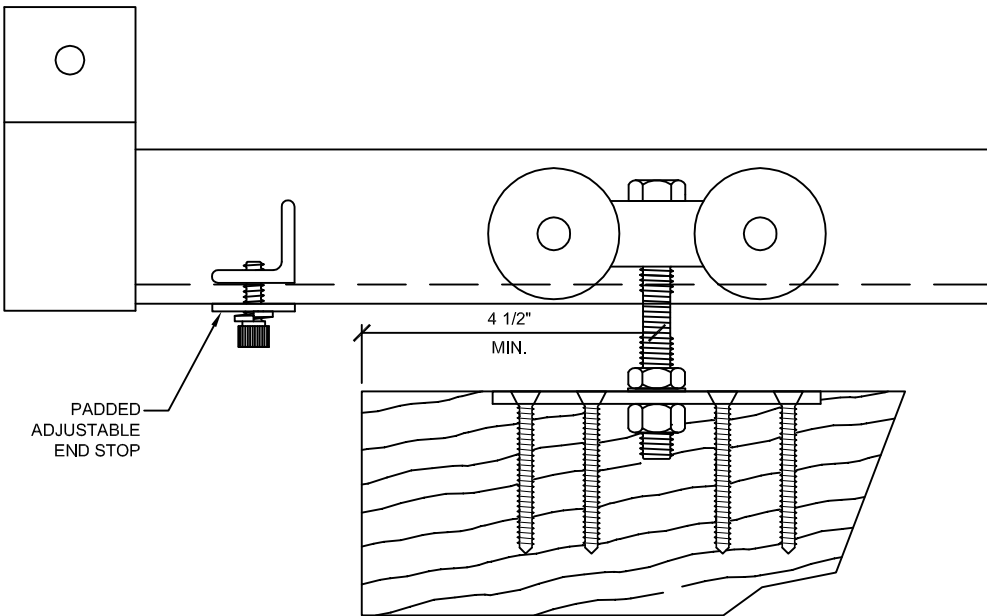
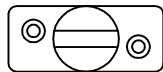


SECTION VIEW



FRONT VIEW



T-GUIDE TOP VIEW

MAX DOOR WEIGHT (PER PAIR OF TROLLEYS)	400 LBS
MIN DOOR THICKNESS	1 3/4"
MAX DOOR THICKNESS	2 1/4"
MAX BRACKET SPACING	30" ON CENTER
FINISHES AVAILABLE	-GALVANIZED -POWDERCOATED -STAINLESS STEEL

REALCRAFT, INC.

9770 44th Ave. NW
Gig Harbor, WA 98332

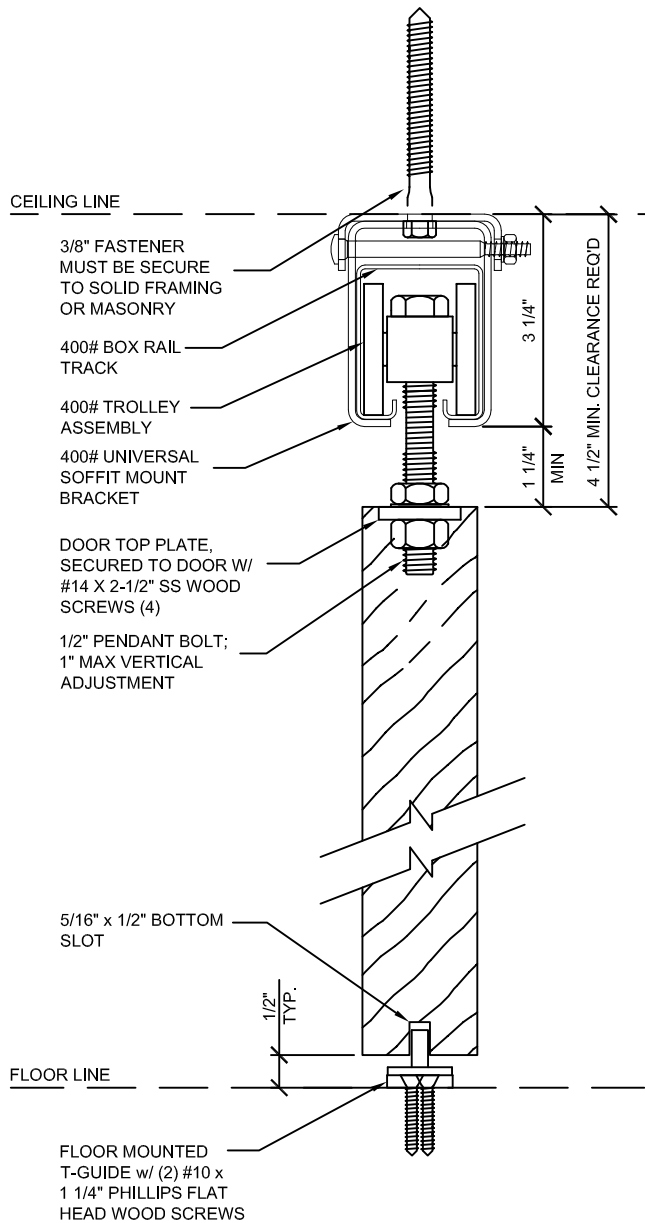
Tel: (800) 694-5977
Fax: (253) 649-4241

400# Box Rail - Wall Mount

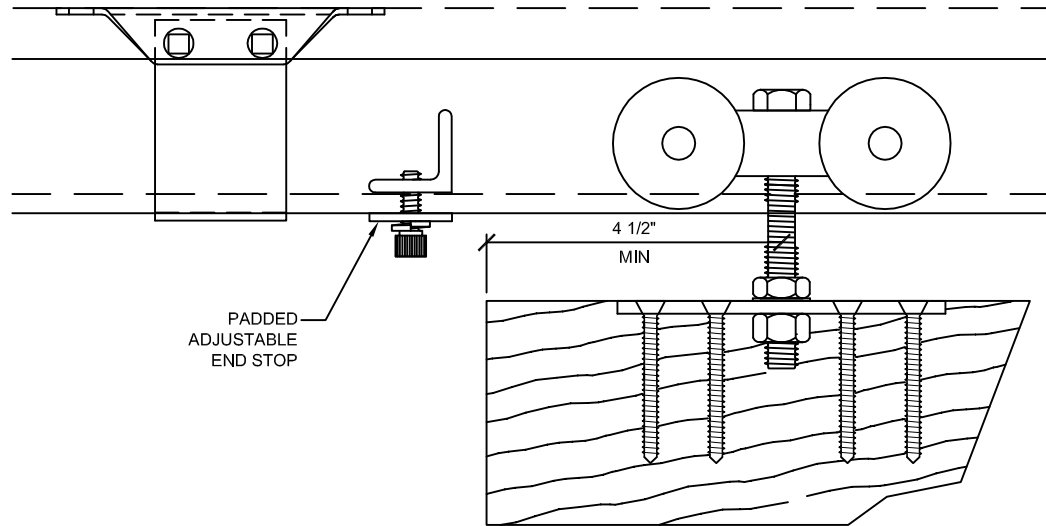
REALCRAFT

This print is the property of RealCraft Inc.

Updated: October 27, 2020



SECTION VIEW



FRONT VIEW



T-GUIDE TOP VIEW

MAX DOOR WEIGHT (PER PAIR OF TROLLEYS)	400 LBS
MIN DOOR THICKNESS	1 3/4"
MAX DOOR THICKNESS	2 1/4"
MAX BRACKET SPACING	30" ON CENTER
FINISHES AVAILABLE	-GALVANIZED -POWDERCOATED -STAINLESS STEEL

REALCRAFT, INC.

9770 44th Ave. NW
Gig Harbor, WA 98332

Tel: (800) 694-5977
Fax: (253) 649-4241

400# Box Rail - Ceiling Mount

REALCRAFT

This print is the property of RealCraft Inc.
Updated: October 27, 2020