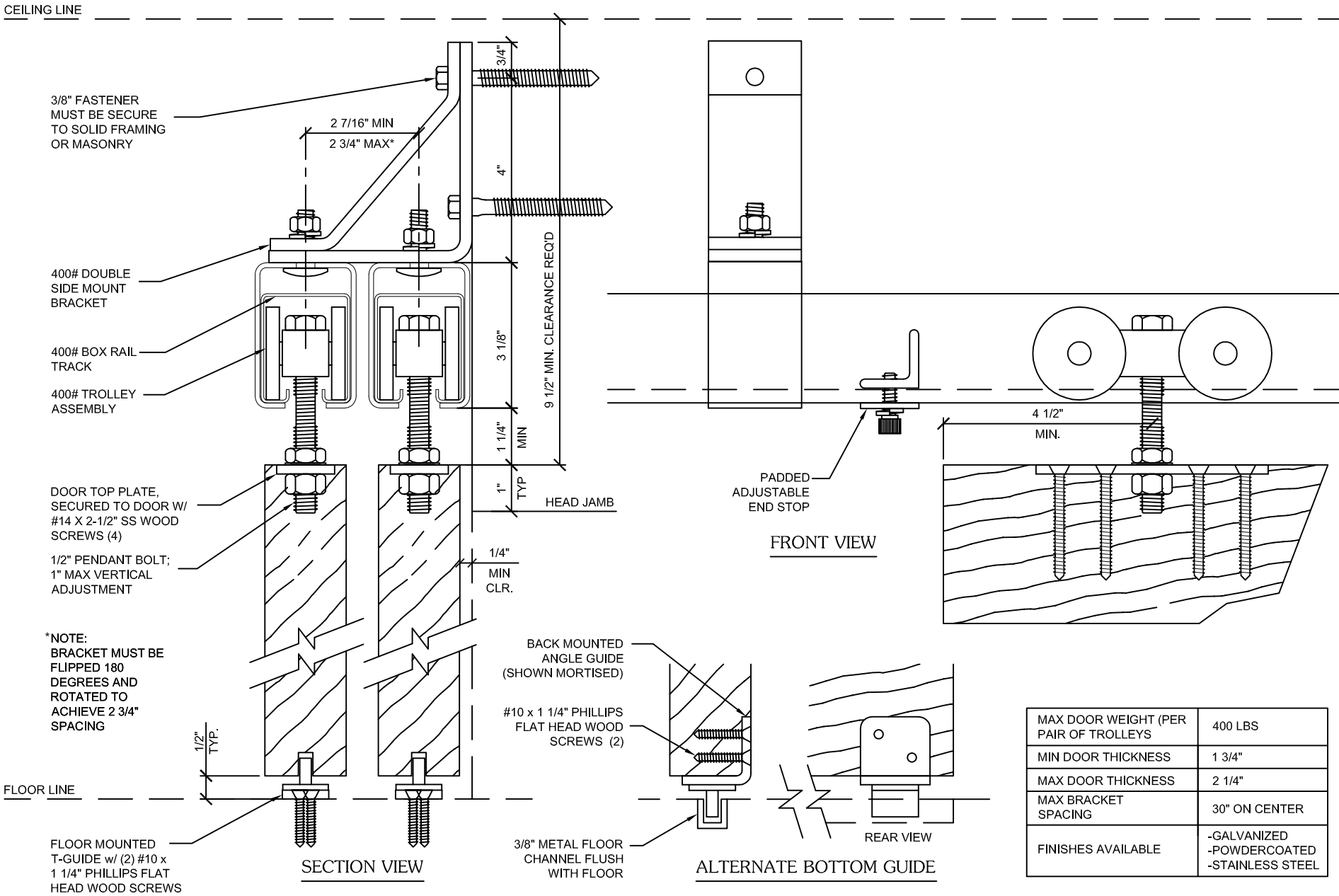


400# Box Rail - Bypass Side Mount



MAX DOOR WEIGHT (PER PAIR OF TROLLEYS)	400 LBS
MIN DOOR THICKNESS	1 3/4"
MAX DOOR THICKNESS	2 1/4"
MAX BRACKET SPACING	30" ON CENTER
FINISHES AVAILABLE	- GALVANIZED - POWDERCOATED - STAINLESS STEEL

REALCRAFT, INC.

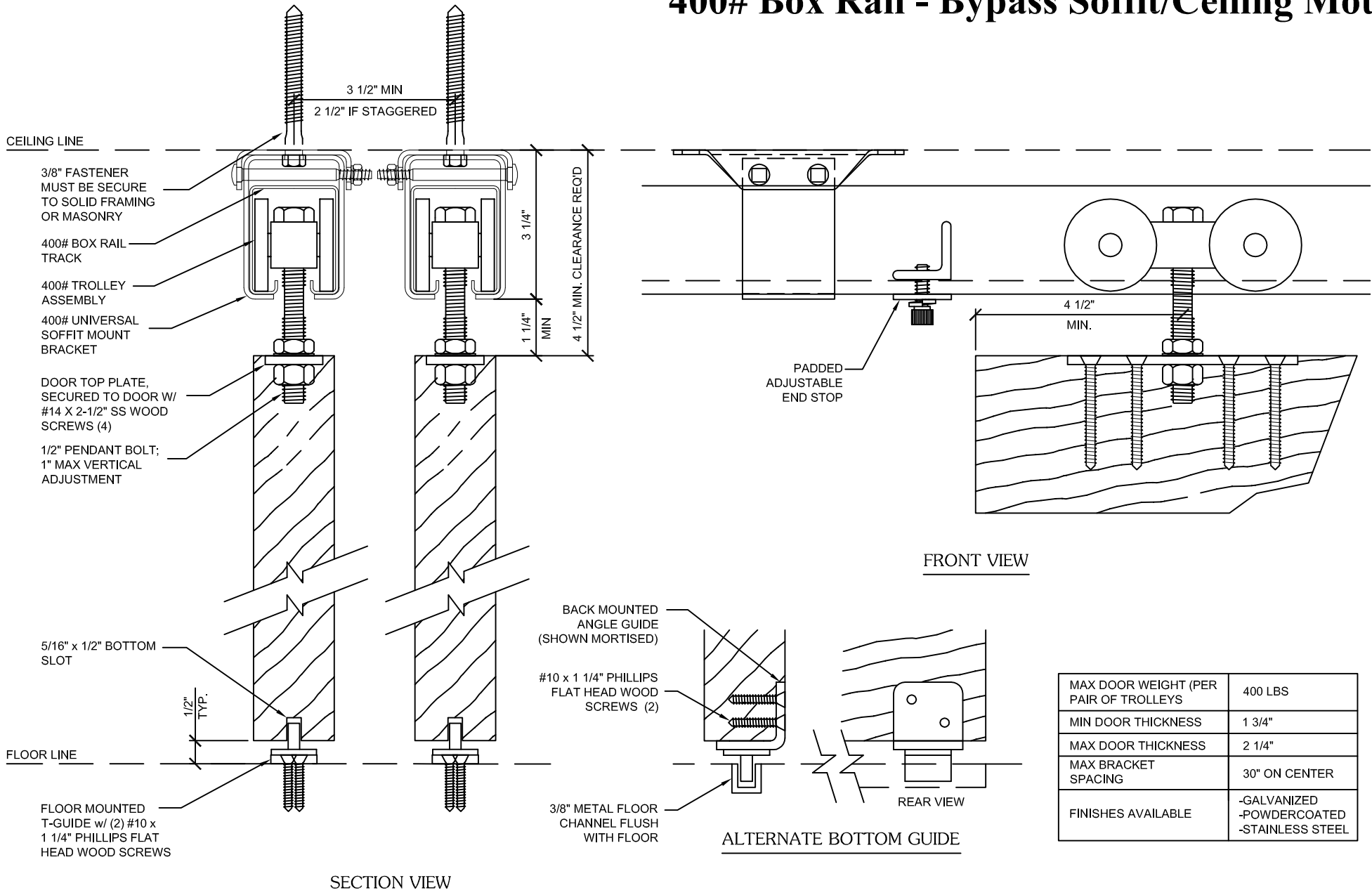
9770 44th Ave. NW
Gig Harbor, WA 98332

Tel: (800) 694-5977
Fax: (253) 649-4241

REALCRAFT

This print is the property of RealCraft Inc.
Updated: October 27, 2020

400# Box Rail - Bypass Soffit/Ceiling Mount



MAX DOOR WEIGHT (PER PAIR OF TROLLEYS)	400 LBS
MIN DOOR THICKNESS	1 3/4"
MAX DOOR THICKNESS	2 1/4"
MAX BRACKET SPACING	30" ON CENTER
FINISHES AVAILABLE	- GALVANIZED - POWDERCOATED - STAINLESS STEEL

REALCRAFT, INC.

9770 44th Ave. NW
Gig Harbor, WA 98332

Tel: (800) 694-5977
Fax: (253) 649-4241

REALCRAFT

This print is the property of RealCraft Inc.
Updated: October 27, 2020