



INOKIM

Urban Freedom



USER GUIDE



Electric



Personal



Mobility

A note from the designer:

When I started designing my first electric scooter in 2009, I envisioned a world where cars are used for long range distance only, while lightweight personal electric devices become the primary way of transportation in urban environments.

After eleven years of design development and sales of E-scooters, we found the need to satisfy bicycle lovers with both - full electric and pedal ride experience combined in one exclusive tool. Our aim was to provide a good solution for city riders in range of urban & off road surroundings.

We created OZOa and the OZOe to be an integrated part of your life.

Enjoy, ride carefully and return home safely



Nimrod Riccardo Sapir

TABLE OF CONTENTS:

WHY READ THIS MANUAL?	4
SAFETY REGULATIONS & BATTERY SAFETY	5
OZOa SPECIFICATIONS	6
OZOe SPECIFICATIONS	8
OZOa/e UNBOX.....	10
OZOa/e CHARGING	16
BATTERY MAINTENANCE.....	17
OZOa/e OPERATION	18
HOW TO RIDE	19
FUNCTIONS	20
OZOa/e SETTINGS	21
OZOa/e SETTINGS & ERRORS	23



WHY READ THIS MANUAL?

Understanding your new INOKIM's features, performance, proper use & maintenance, will help you:



ENJOY

Get the most out of your first and every ride.



RIDE SMART

For the safety of yourself and your surroundings.



MAINTAIN YOUR INOKIM

For many years of safe and fun riding.

DISCLAIMER

Myway Ningbo Intelligent Technology will not be held responsible for any special consequential or incidental damages caused by the use or misuse of our products. The user agrees to accept full responsibility for all such risks and to not hold Myway Ningbo, its distributors or retailers responsible for any incident, injury to persons, or damage to property caused by misuse of the product.

SAFETY REGULATIONS



WARNING

Always wear a helmet. Most serious injuries that occur while riding are head injuries. This can be prevented if a helmet is worn. You must wear a helmet while riding your OZO. The helmet must be worn according to its instructions.

Follow the local laws and regulations. Certain countries or regions require safety devices or gear. It is your responsibility to know the state laws, and follow them.

Do not carry passengers.



BATTERY SAFETY REGULATIONS:

ONLY USE INOKIM OZOa/e CHARGER.

Keep the battery away from children & pets. Exposure to the battery voltage can cause death or serious injury.

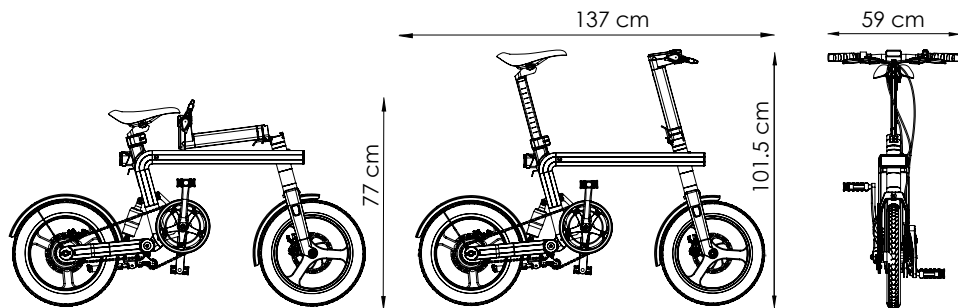
Unplug the battery from the outlet before performing any maintenance. It is forbidden to operate INOKIM products when plugged into an electrical outlet.

Do NOT use the OZOa/e if the battery:

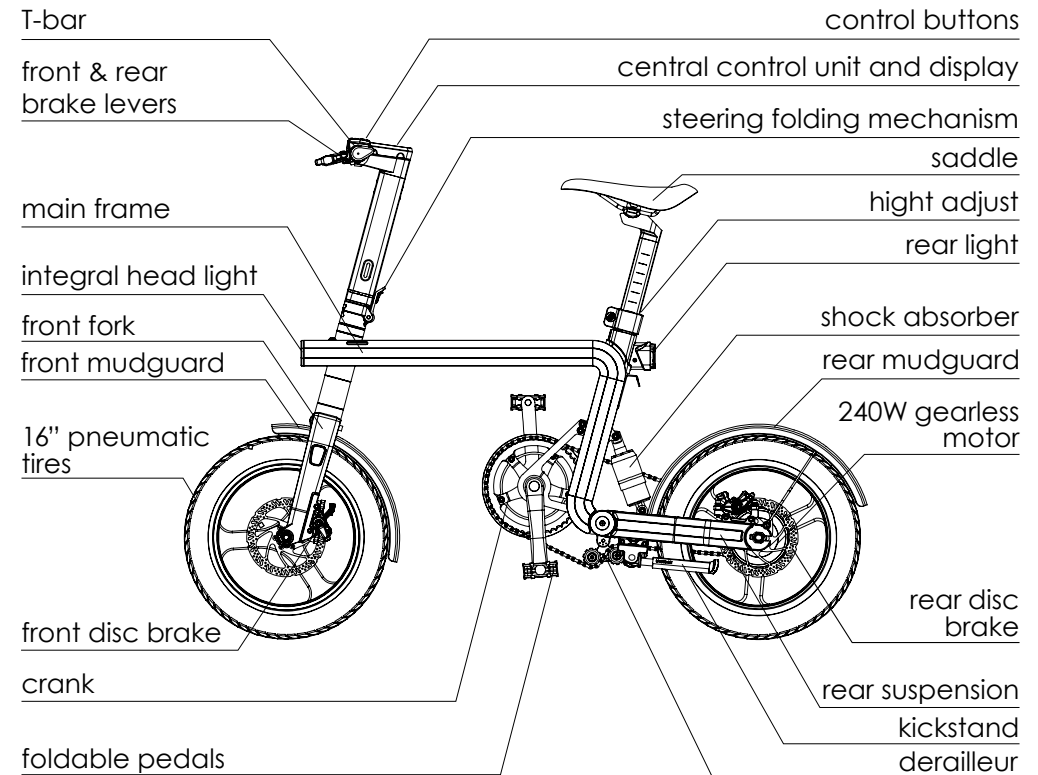
- Is damaged
- Emits an unusual odour or excessive heat
- Presents any leakage

OZOa - SPECIFICATIONS

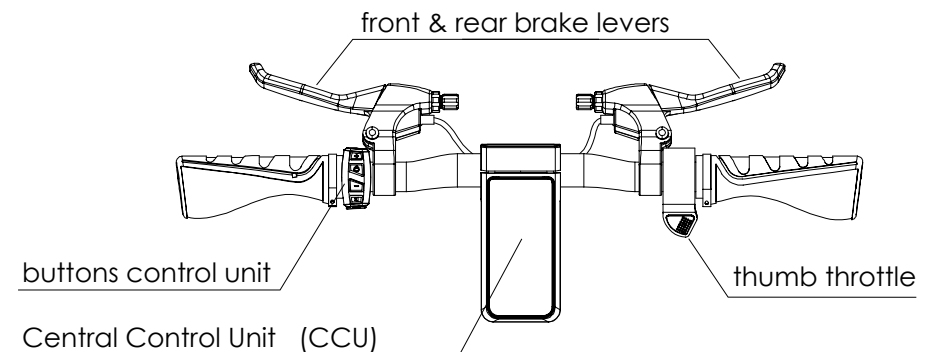
MODEL	OZOa
Lithium Ion Battery	Hero 36V 7.8Ah Super 36V 10.5Ah
Net Weight (+-0.5 kg)	22kg 48.5lb
Range	Hero 32km 20 miles Electric only 60km 37 miles Pedal assisted Super 40km 25 miles Electric only 75km 47 miles Pedal assisted
Charging Time (H)	Hero 4 hours Super 6 hours
Motor	240W gearless
Max Speed	25 km/h 16 mph
Brakes	Front and rear disk brakes
Tire Size	16"/2-125 pneumatic tires
Tire Air Pressure	35 PSI to 45 PSI
Folded Size L x W x H	137 x 59 x 77 cm 54 x 23 x 30 inches
Open Size L x W x H	137 x 59 x 101.5 cm 54 x 23 x 40 inches
Load Limit	100 kg 220 pounds
Lights	Integral LED front light, rear light
Throttle	Electric Thumb Throttle, pedal assist



OZOa - SPECIFICATIONS

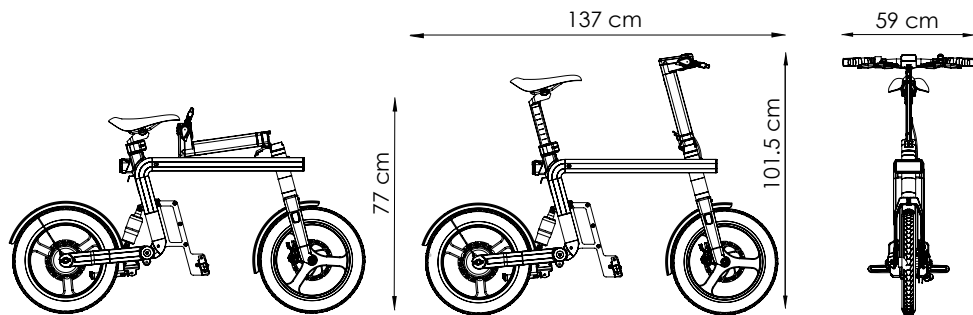


T-BAR RIDER INTERFACE

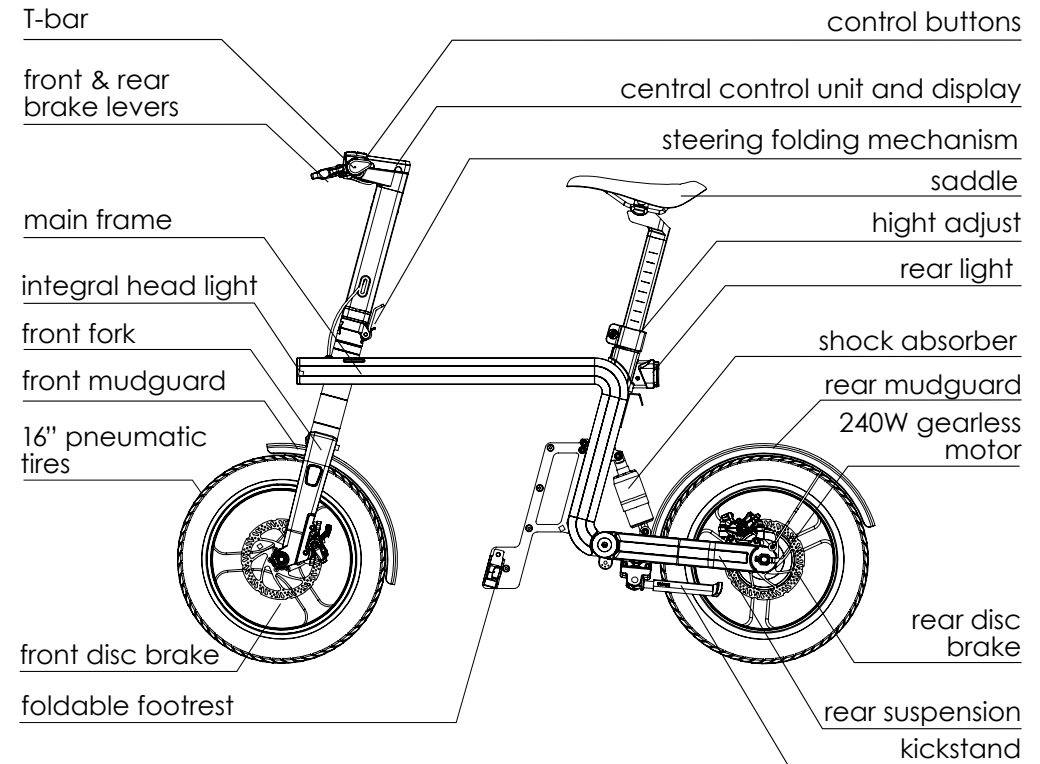


OZOe - SPECIFICATIONS

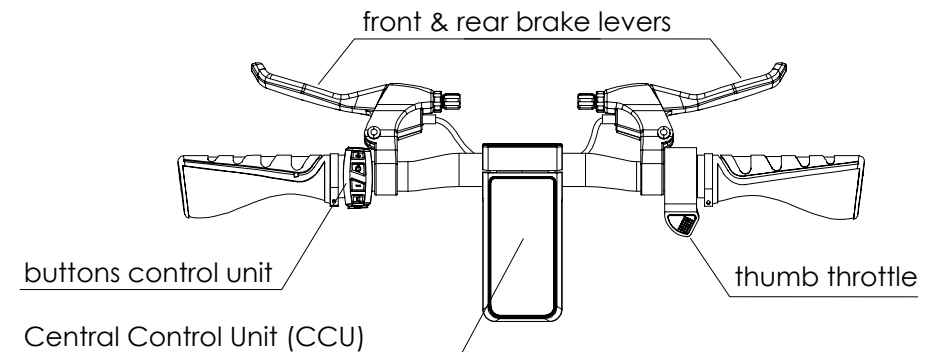
MODEL	OZOe
Lithium Ion Battery	Hero 36V 7.8Ah Super 36V 10.5Ah
Net Weight (+0.5 Kg)	21kg 46.3lb
Range	Hero 32km 20 miles Electric only 60km 37 miles Pedal assisted
	Super 40km 25 miles 75km 47 miles
Charging Time (H)	Hero 4 hours Super 6 hours
Motor	240W gearless
Max Speed	25 km/h 16 mph
Brakes	Front and rear disk brakes
Tire Size	16"/2-125 pneumatic tires
Tire Air Pressure	35 PSI to 45 PSI
Folded Size L x W x H	137 x 59 x 77 cm 54 x 23 x 30 inch
Open Size L x W x H	137 x 59 x 101.5 cm 54 x 23 x 40 inch
Load Limit	100 kg 220 pounds
Lights	Integral LED front light, rear light
Throttle	Electric Thumb Throttle



OZOe - SPECIFICATIONS

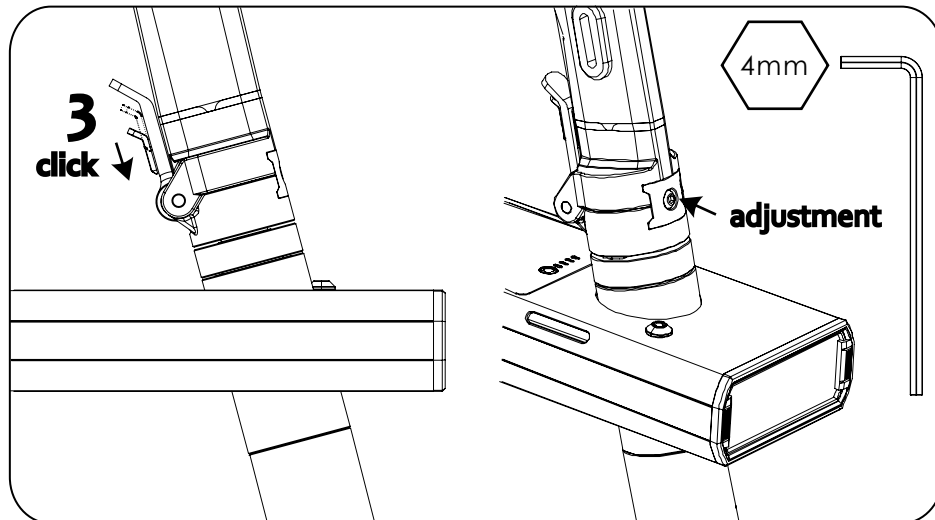
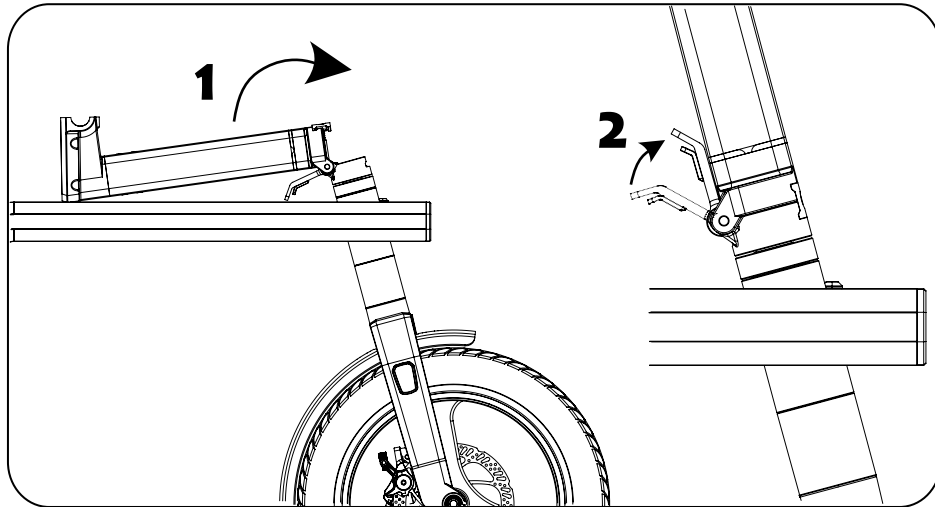


T-BAR RIDER INTERFACE



OZOa/e - UNBOX

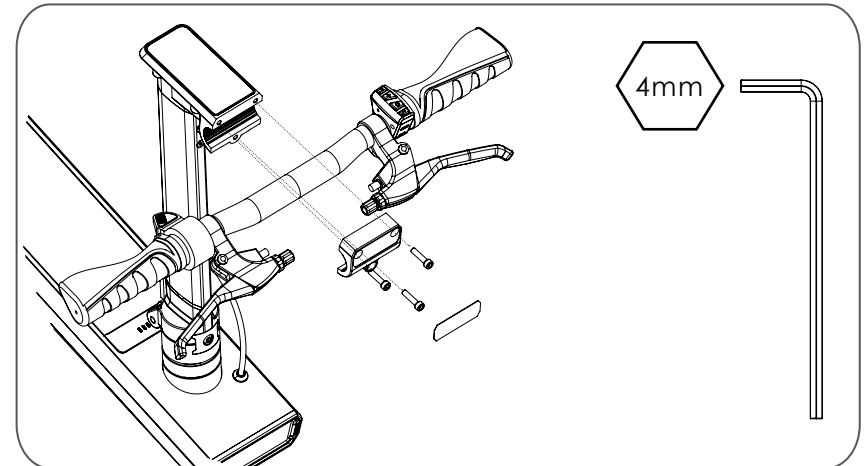
1 UNFOLD AND FIX STEERING BAR



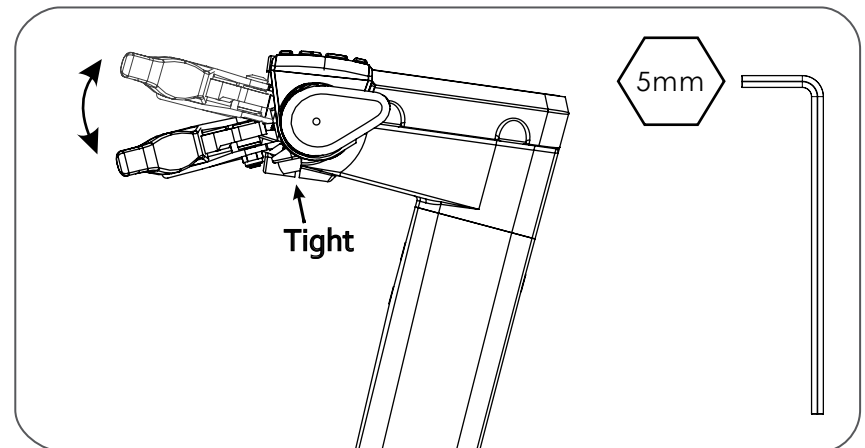
OZOa/e - UNBOX

2 MOUNT STEERING BAR & BRAKE HANDLES

While unassembled place the OZOa/e firmly on its kickstand. Use the hex key (4 millimeter) to mount the T-Bar with 3 bolts. After, apply the reflector sticker.



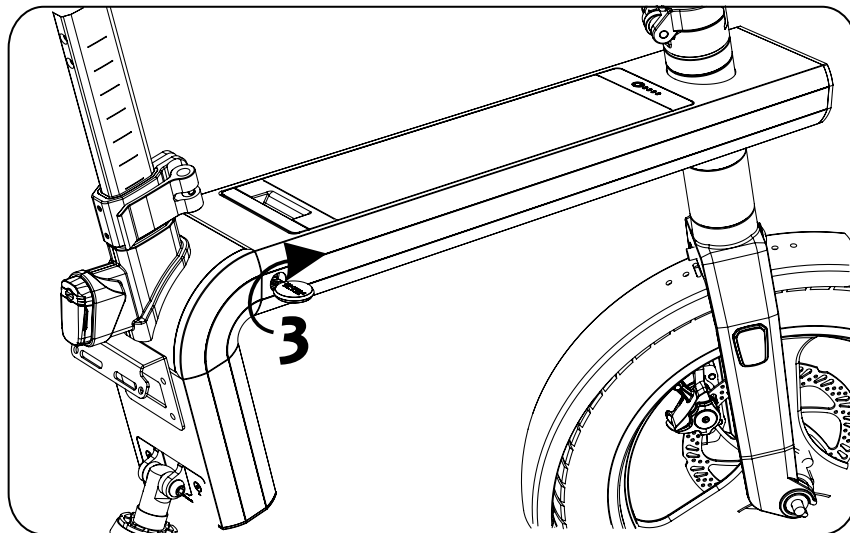
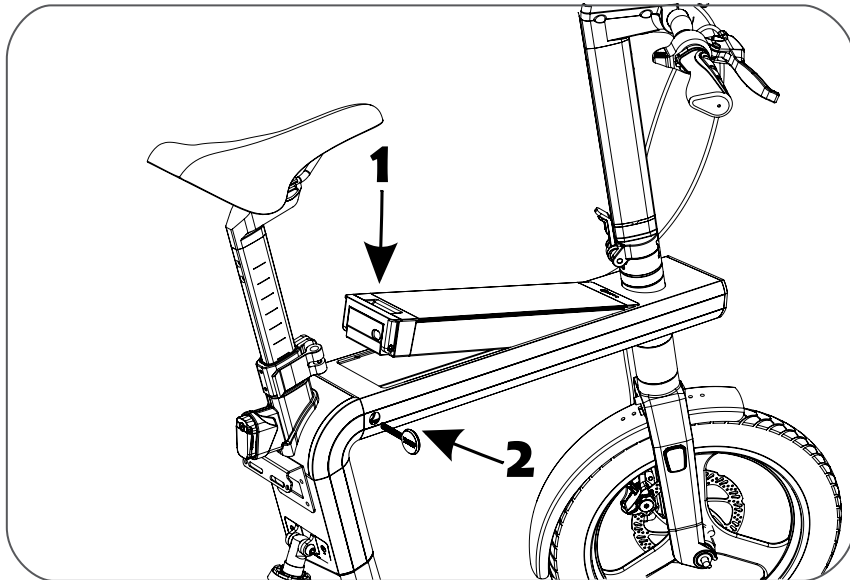
Adjust the brake levers angle according to your height. A good indication for your suited angle is that your wrists are straight when you ride. Lock the handles with a 5 millimeter hex key. Lock the brake levers with a 5 millimetre hex key.



OZOa/e - UNBOX

3 MOUNT BATTERY

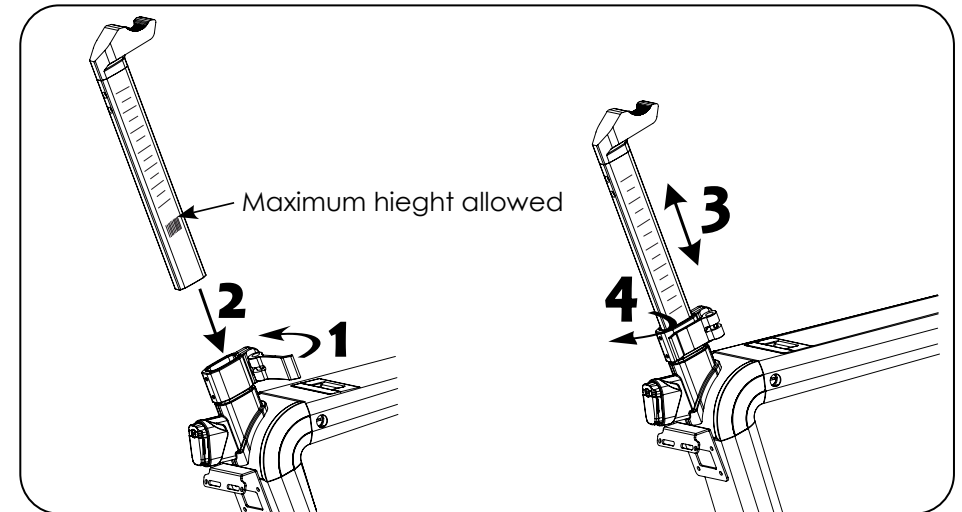
Attention! Read battery safety and maintenance sections carefully before charging and mounting the battery.



OZOa/e - UNBOX

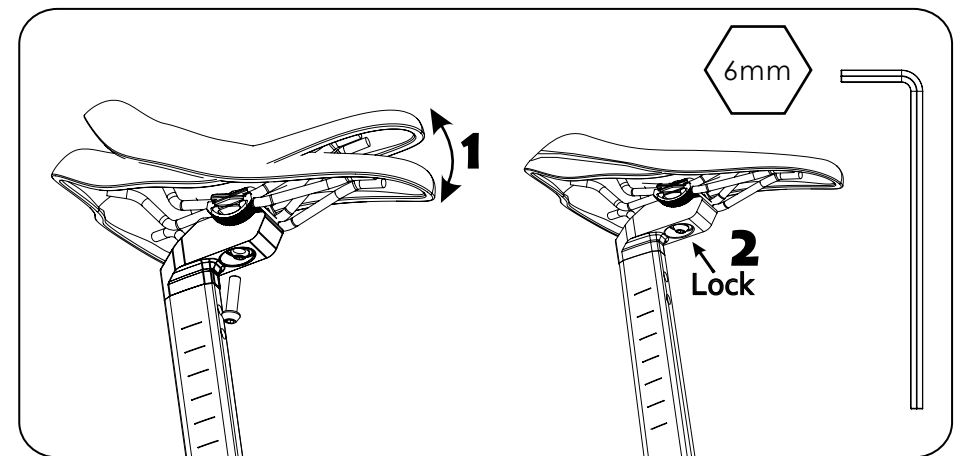
4 MOUNT SADDLE POST

Insert the saddle post in its place. Adjust to your preferred height. Use the quick release handle to firmly lock the saddle post.



5 MOUNT SADDLE

Apply the saddle on the saddle post and adjust its angle to horizontal position. Lock the nut as shown below.

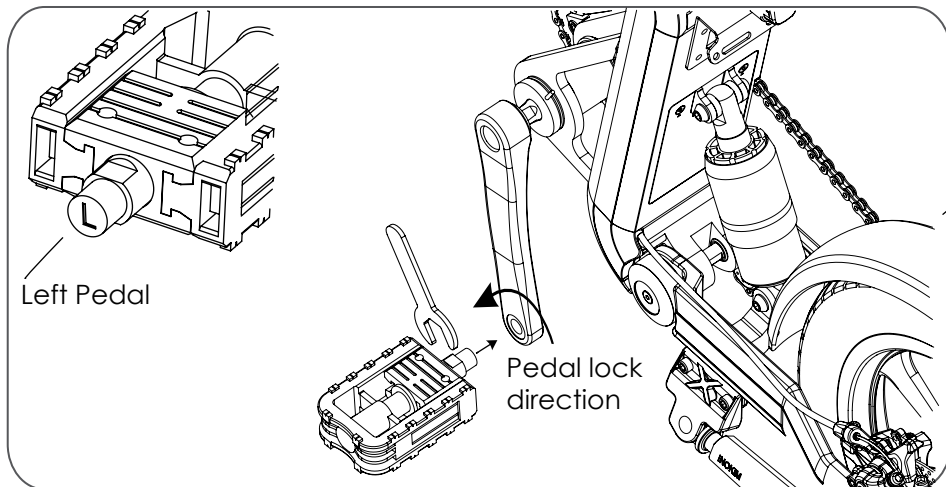
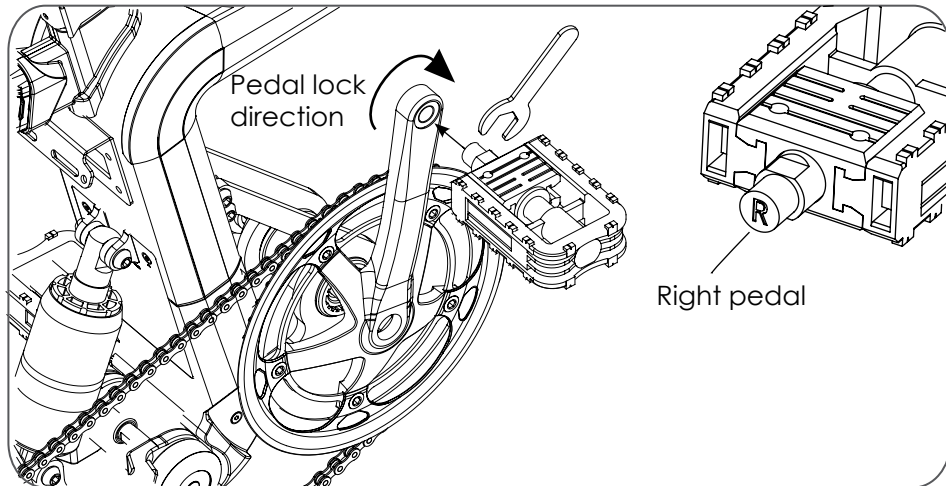


OZOa - UNBOX

6 MOUNT THE PEDALS

Insert the pedals.

Attention: Both pedals have Right and Left signs and specific threads. Check the pedal carefully and thread it on to true side by key.

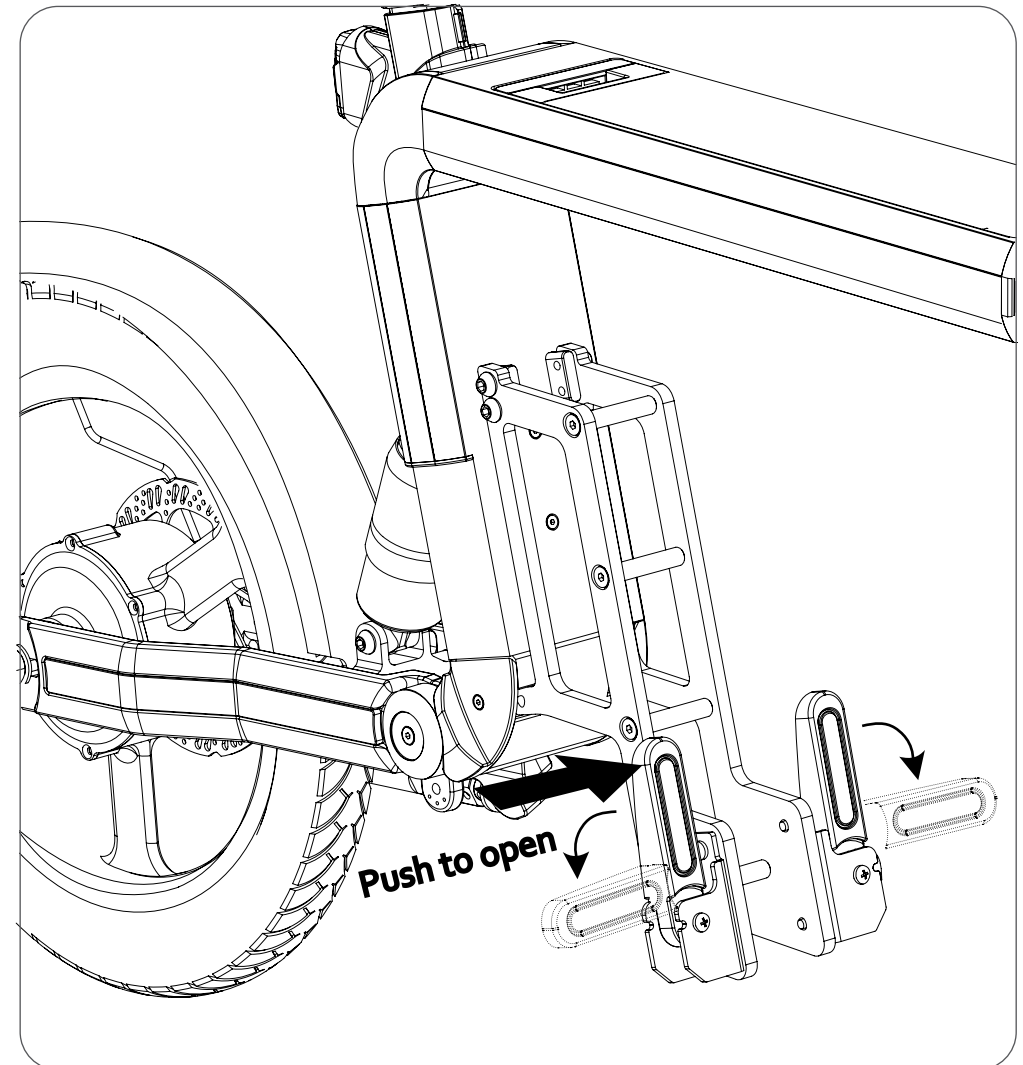


OZOe - UNBOX

6 OPEN THE FOOTRESTS FOR RIDE POSITION

Push footrests to open as shown below.

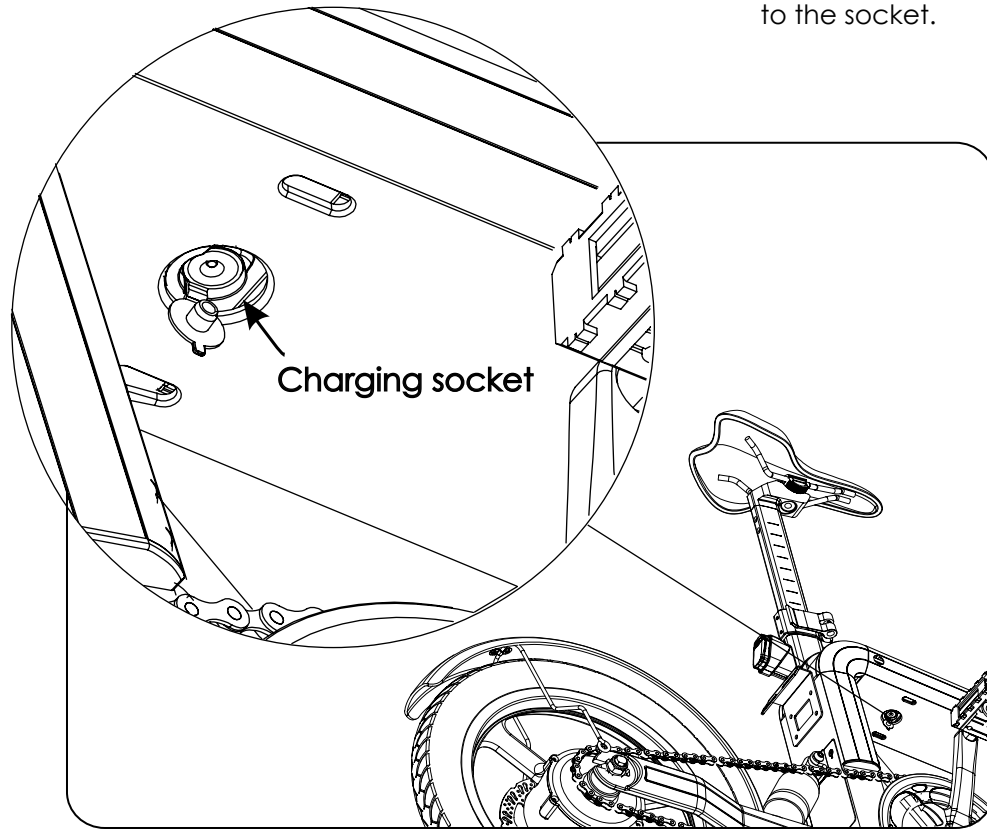
Fold footrests up if needed.



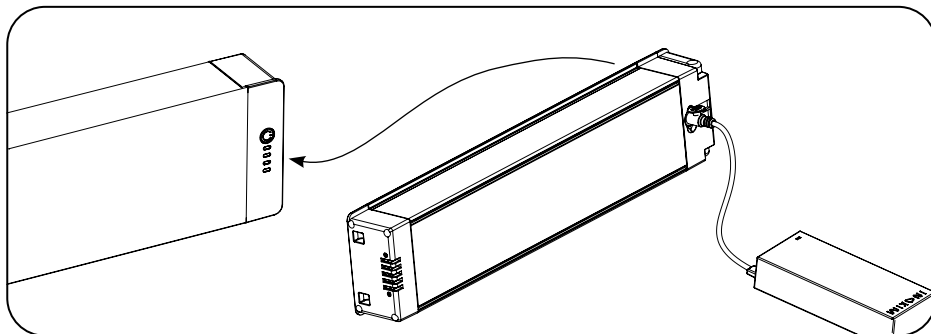
OZOa/e - CHARGING

Charging whilst the battery is mounted:

Open the rubber cover under the frame and connect the charger to the socket.



Charging the battery separately from OZOa/e



BATTERY MAINTENANCE

MAXIMIZE YOUR BATTERY'S PERFORMANCE:

1. For its initial charge, FULLY charge your OZOa/e. This conditions the battery for future life-span.
2. Do NOT leave a fully charged battery connected to a charger, since overcharging may shorten it's lifetime.
3. Avoid extreme temperatures. Always try to keep the battery between 15°C and 25°C (59°F and 77°F). Extreme temperatures reduce the capacity and lifetime of the battery. A device with a hot or cold battery may not work temporarily.
4. At least once a month fully charge the battery.
5. From time to time discharge the battery by riding. Use all stored energy in the battery.
6. Before storing it for a long period, charge the battery half way.

Use OZOa/e INOKIM charger only!

Your OZOa/e has a Lithium Battery with an external charger. When charging, connect the charging cable in this order:

Plug in the charger to INOKIM's charging socket first, then plug it in to the electric outlet socket.

Charging Indication:

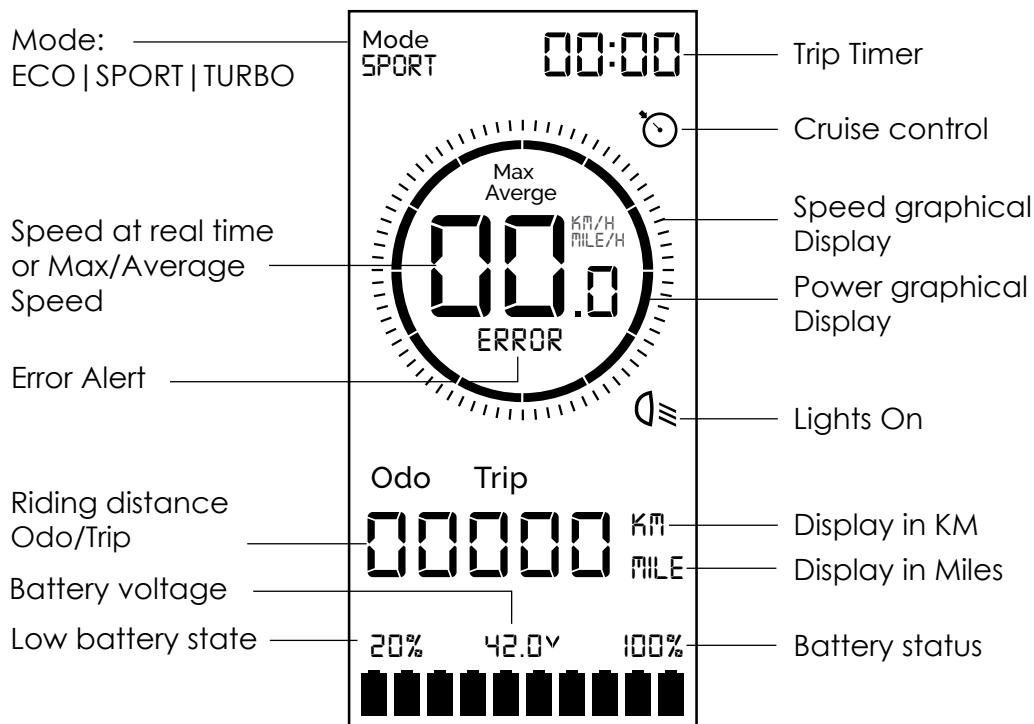
RED light - Battery charging
GREEN light- Charging complete

OZOa/e - OPERATION

LCD DISPLAY

The OZOa/e bicycle contains a Central Control Unit (CCU) at the center of the T - Bar.

The CCU is displayed by an LCD and the functions are applied by the the control buttons on the left hand side of the the T - Bar.



BUTTONS AND FUNCTIONS

- Up / Increase
- Select / Switching menu / Quit menu
- Down / Decrease
- Horn

HOW TO RIDE

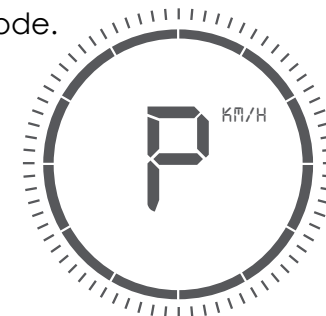
Turn battery On, press the round button on the top side of the battery.

Use the functions buttons: Press to turn the system On.

Once the system is turned On, it is in Parking Mode.

To start riding you can do any of the following:

1. Short press on either brake handle
2. Fast double press the throttle
3. Press on or or



OZOa

Press the thumb throttle on the right side to start riding, in order to maintain and increase speed, use pedals.

OZOe

Press the thumb throttle on the right side to start riding, speed will increase up to 25 KM/H.

Press for 3 seconds to turn the system Off (shut down).

Turn battery Off, press the round button on the top side of the battery.

After 30 seconds of no use, the system will enter Parking mode.

After 3 minutes of no use, the system will automatically shut down.


After 10 minutes of no use, the battery will turn off.

OZOa/e - FUNCTIONS

MODE

When the system is ON, press  for TURBO Mode, press  for ECO Mode.

LIGHTS

When Power is ON, long press  to turn the lights on.
When Power is ON at night, the light sensor will automatically turn the lights on. This function can be adjusted for different sensitivity in darkness.

RIDING DISTANCE DISPLAY

When system is turned ON for the first time, the display will show the distance of a single trip by default.

Each press  will change the display information:

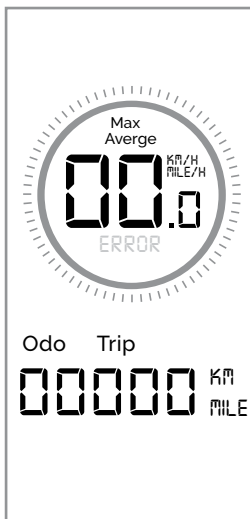
- ODO (the total distance of OZO)
- Single trip distance
- Average speed in a single trip
- Maximum speed in a single trip

Average speed and Max speed will be displayed for 2 seconds only.



SINGLE TRIP RESET

When trip is displayed press  2 seconds.

Odo Trip
00000 KM
MILE



OZOa/e - SETTINGS

To enter the **SETTINGS**: while the system is On, press  +  simultaneously for 2 seconds.

when entered the **SETTINGS P 1.1** will appear.

P 1.1 - LCD BRIGHTNESS

 to increase  to decrease

0000 1 - 00005 (5 levels of LCD brightness)

P 1.2 - SPEED LIMIT


While in **SETTING MODE** press  once to enter **P 1.2 - Speed limit**

The default and maximum motor speed is 25 KM/H, you can decrease the maximum speed by pressing .

You can increase the maximum speed up to 25 KM/H, by pressing .

OZOa/e - SETTINGS

P 1.3 - CRUISE CONTROL FUNCTION

While in **SETTING MODE** press  X 2 times to enter **P 1.3 - Cruise control function.**


By default the cruise control is Off.

Press  or  to turn cruise control On.

Display will show  cruise control On.

Display will show  cruise control Off.

P 1.4 - KM / MILES SETTING

While in **SETTING MODE** press  X 3 times to enter **P 1.4 - KM/Miles Setting.**

By default the setting units is metric.


Press  or  to change from metric to mileage.

The display will show  ^{km} or  _{MILE}.

OZOa/e - SETTINGS

P 1.5 - AUTOMATIC LIGHTING SENSITIVITY IN DARKNESS

While in **SETTING MODE** press  X 4 times to enter **P 1.5 - Automatic Lighting sensitivity in darkness.**

Press  to increase sensitivity of automatic lights turning on in darkness.

Press  to decrease sensitivity of automatic lights turning on in darkness.

When  automatic lights turning on in darkness is off.

ERRORS

ERROR will flash when fault in the electric system

Error 21	Electric current fault
Error 22	Thumb throttle fault
Error 23	Motor fault
Error 24	Motor hall signal fault
Error 25	Brake sensors fault
Error 30	Electric communication fault - you may press any button and continue riding. However, the km / mileage indicator will not function correctly.



**Write down the serial number of your INOKIM
Keep this information separately and in a safe place!**



OPERATION & MANAGMENT
NINGBO MYWAY Intelligent Technology Co.,Ltd
#18 Nanhai Road, Beilun, Ningbo.
ZHEJIAIANG PROVINCE, CHINA 315800.
www.inokim.com | global@inokim.com

INOKIM OFFICIAL



WWW.INOKIM.COM