

INOKIM

Urban Freedom



Check out the OX SUSPENSION ADAPTERS PATENT inside!

OX

RIDER GUIDE



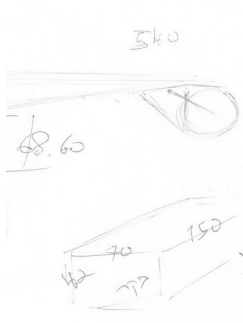
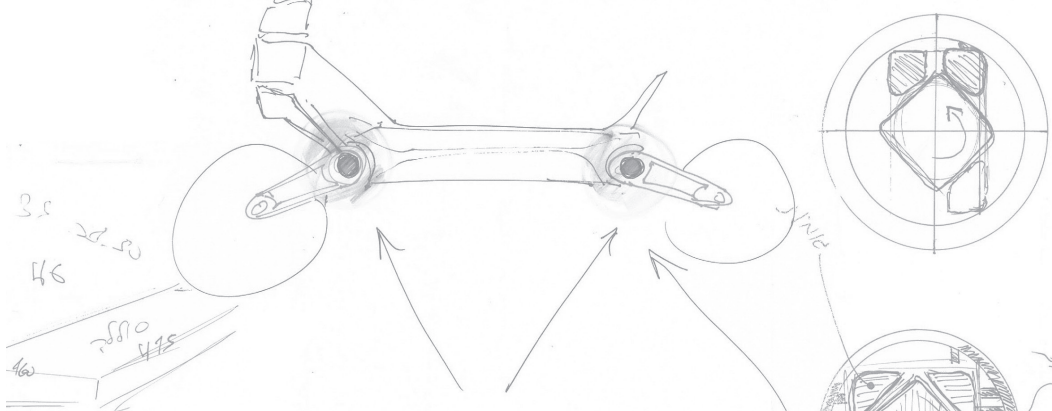
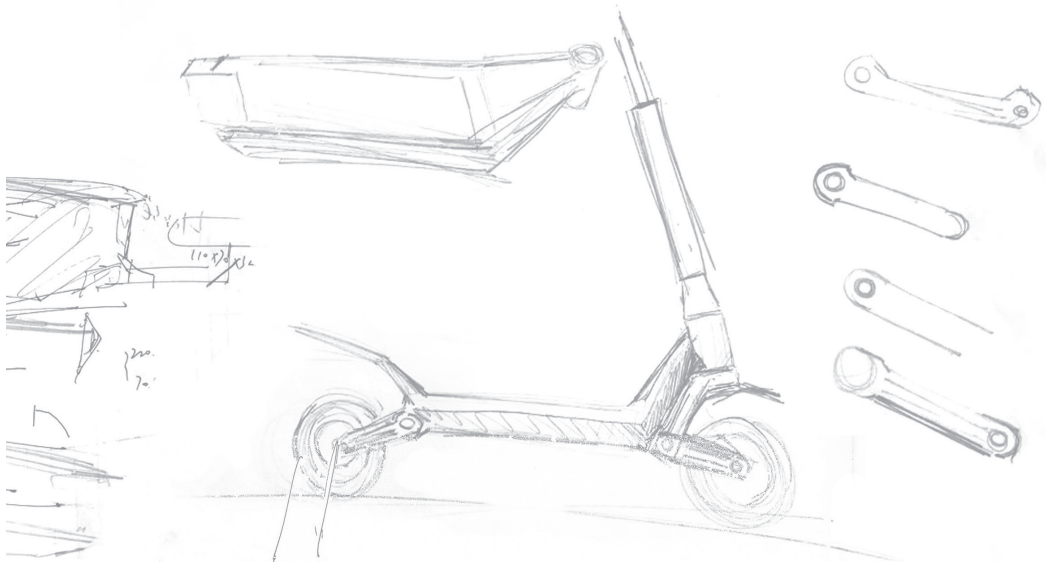
Electric



Personal

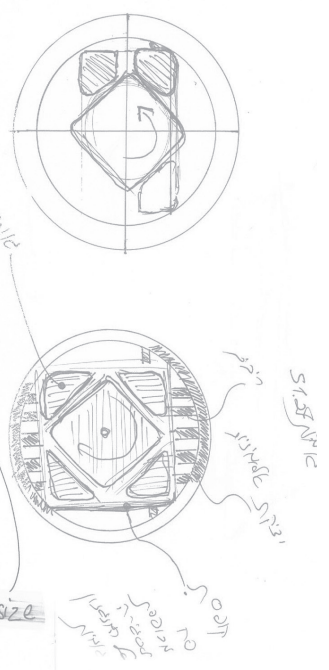


Mobility



The reason I wanted the extended ends on the suspension hinge side of the Arms is to

the two centers of the suspensions and I want to later on, put a decorative Tap, ~~ms~~(plastic) inside. dome



Congratulations On Your New INOKIM OX!

We are happy you chose to ride INOKIM.
We hope you find it to be a great riding experience,
adding efficiency and fun to your daily commuting.

A note from the designer:

When I started designing my first electric scooter, I envisioned a world where cars are used for long range distance only, while lightweight personal electric devices become the primary way of transportation in urban environments.

After seven years of sales design and development of Quick, LIGHT & MINI scooters, we found the need for a more powerful scooter. Our aim was to provide a good solution for heavier riders, longer range and climbs in both urban & off road surroundings.

We created OX to be an integrated part of your life.

Enjoy, ride carefully and return home safely.

Nimrod Sapir Riccardo



A handwritten signature in black ink, appearing to read 'N. Sapir Riccardo', written in a cursive style.

DISCLAIMER

MYWAY NINGBO INTELLIGENT TECHNOLOGY WILL NOT BE HELD RESPONSIBLE FOR ANY SPECIAL, CONSEQUENTIAL OR INCIDENTAL DAMAGES CAUSED BY THE USE OR MISUSE OF OUR PRODUCTS. THE USER AGREES TO ACCEPT FULL RESPONSIBILITY FOR ALL SUCH RISKS AND TO NOT HOLD MYWAY NINGBO, IT'S DISTRIBUTORS OR RETAILERS RESPONSIBLE FOR ANY INCIDENT, INJURY TO PERSONS, OR DAMAGE TO PROPERTY CAUSED BY MISUSE OF THE PRODUCT



Table of Contents:

WHY READ THIS MANUAL?	2
SAFETY REGULATIONS	3
SPECIFICATIONS	4
UN-BOX YOUR OX!	6
BATTERY	8
THROTTLE OPERATION	10
DISPLAY MODE SETTINGS	12
THE OX SUSPENSION ADAPTERS PATENT	14
CAREFUL RIDING	16
FOLDING MECHANISM ADJUSTMENT	18
SERIAL NUMBER	19

WHY READ THIS MANUAL?

Understanding your new INOKIM's features, performance, proper use & maintenance, will help you:



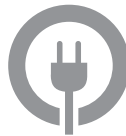
ENJOY

the most from your first and every ride.



RIDE SMART

For the safety of yourself and your surroundings.



MAINTAIN YOUR INOKIM

For many years of safe and fun riding.

SAFETY REGULATIONS



WARNING

It is prohibited to ride in poor weather conditions:

Never ride in rain, snow, icy road, wet dirt road, water, poor visibility or other bad weather conditions.

Always wear a helmet. Most serious injuries that occur while riding are head injuries. This can be prevented if a helmet is worn. You must wear a helmet while riding your OX. The helmet must be worn according to its instructions.

Follow the local laws and regulations. Certain countries or regions require safety devices or gear. It is your responsibility to know the state laws, and follow them.

Firmly lock the folding lever and check your brakes before every ride.

Do not do stunts, wheelies or jumps. They increase your chances of injury and might damage your OX.

Do not carry passengers.

Make your first ride with INOKIM OX in a remote location, without any obstacles.

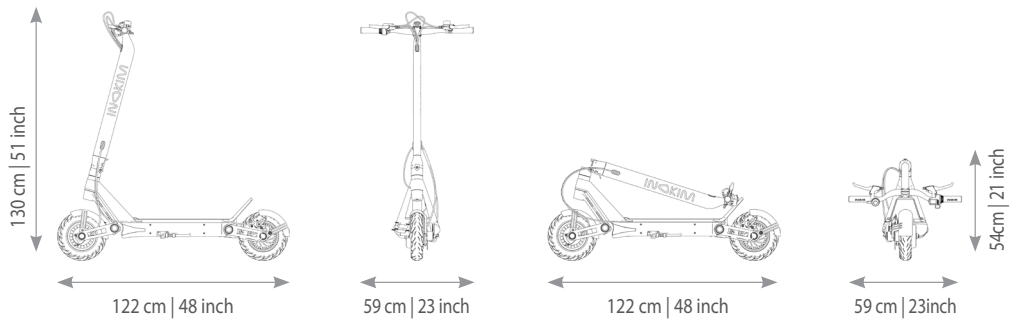
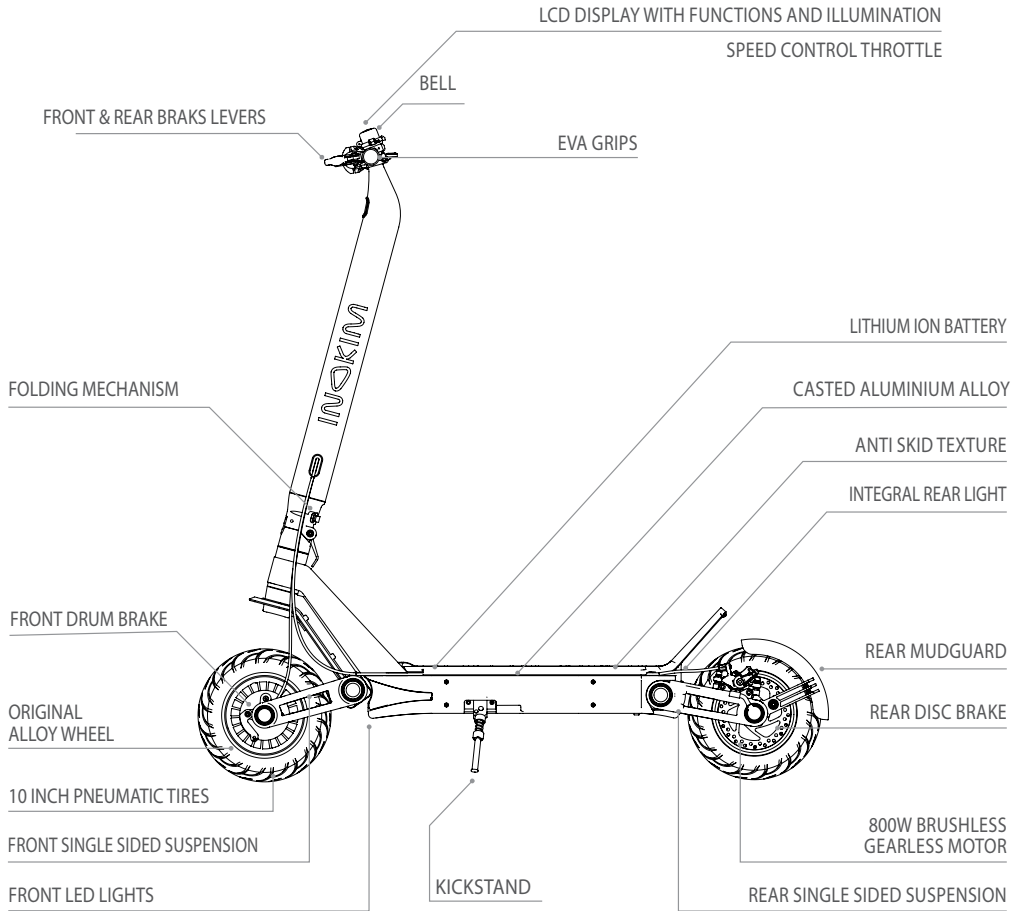
SPECIFICATIONS

MODEL	OX (Hero Super)
Lithium Battery	60V 13AH (Hero) 60V 21AH (Super)
Net Weight (+-0.5 kg)	26 kg (Hero) 28 kg (Super)
Rang (Eco mode)	60 km (Hero) 110 km (Super)
Range (Full speed mode)	50 km (Hero) 90 km (Super)
Eco mode is with constant speed of 15 km/H, Full speed mode is with constant speed of 25 km/H, 75 kg load, in temperature of 25°C, on a flat road condition	
Charging Time (H)	8 hours (Hero) 12.5 hours (Super)
Motor	800W gearless (peak 1300W)
Speed	25 km/H
Brake	Front drum brake, rear disk brake
Tire Size	10 x 2.5 inch pneumatic tires optional to equip 10 x 3 inch off road pneumatic tires
Tire Air Pressure	40 psi to 50 psi
Folded Size L x W x H (cm)	122 x 59 x 54 cm
Open Size L x W x H (cm)	122 x 59 x 130 cm
Load Limit	120 kg
Road lighting	Integral car LED lights
Throttle	LCD display with functions and illumination



Recommended air pressure in tires: 40 psi to 50 psi.

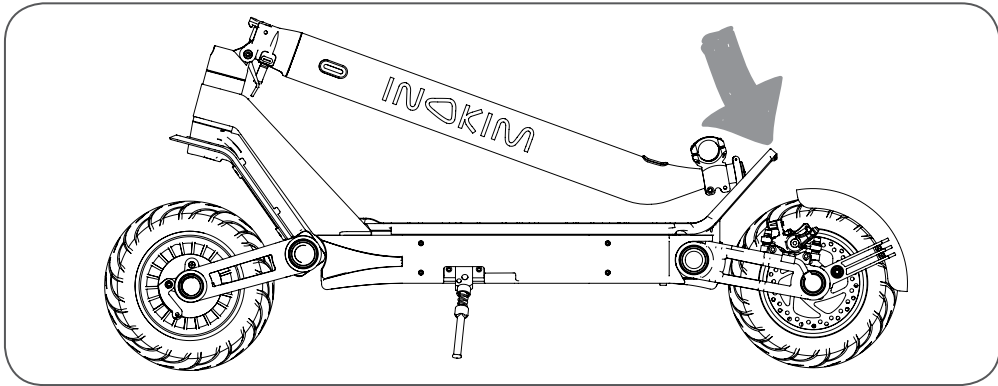
WEIGHT	RANGE	TOP SPEED	MAX LOAD	CHARGE TIME
26-28 kg	60-110 km	25 km/h	120 kg	8-12.5 hrs. for full charge
57-62 lb	37-68 mi	15.5 mph	267 lb	



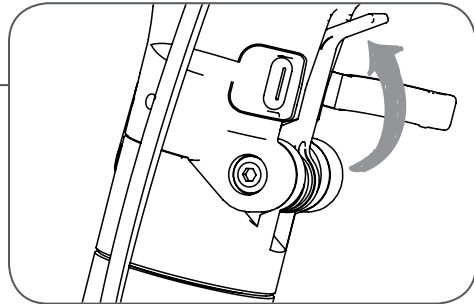
UN-BOX YOUR OX!

**Are you ready to set your OX free?
Please follow these instructions:**

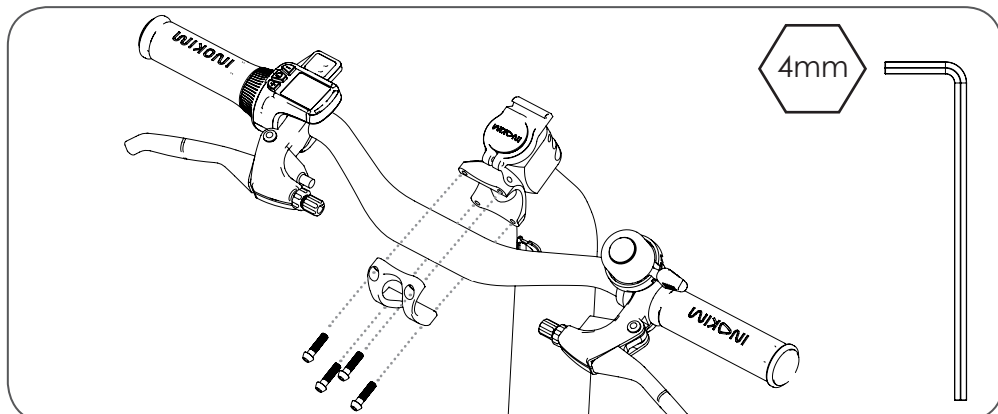
- 1** While folded, stand the OX on kickstand.
Push down rear end of OX to release the SNAP LOCK.



- 2** Fasten the RED lever.

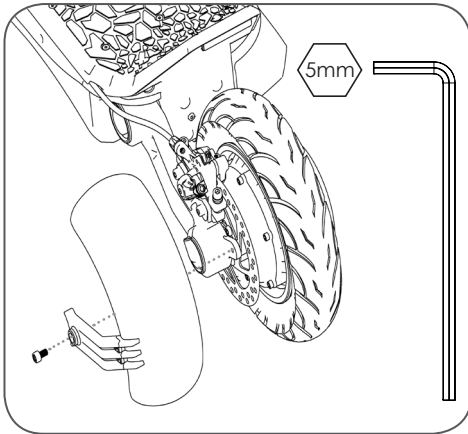
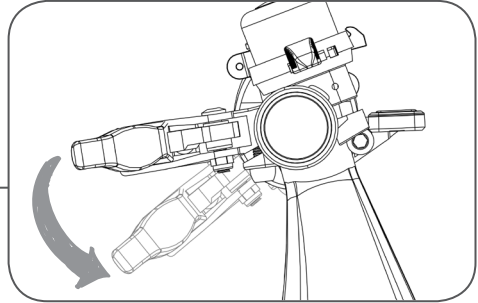


- 3** Set the handle bar in place.
Use the hex key (4mm)



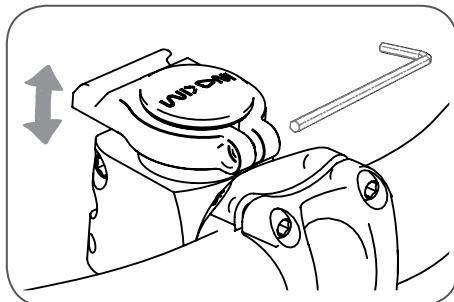
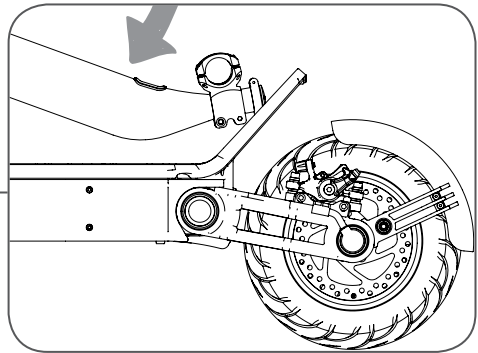
UN-BOX YOUR OX!

- 4** Adjust the brakes angle according to your height. A good indication for your suited angle is that your wrists are straight when you ride.



- 5** Connect the rear mudguard. Use hex key (5mm)

- 6** When folding simply snap the steering rod into place.



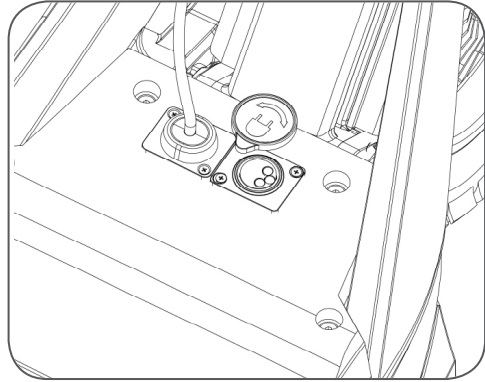
- 7** If the SNAP LOCK of your OX is too loose / tight, you can fine-tune it by adjusting the height of the locking hook. Use hex key (2.5mm)

BATTERY

Your OX has a Lithium Battery with an external charger.
When charging, connect the charging cable in this order:
FIRST to INOKIM's charging socket
THEN to the electrical outlet.

Charging Indication:

RED light - Battery charging...
GREEN light- Charging complete



MAXIMIZE YOUR BATTERY'S PERFORMANCE:

1. **For its initial charge, FULLY charge your OX.**
This conditions the battery for future life-span.
2. **Do NOT leave a fully charged battery connected** to a charger, since overcharging may shorten it's lifetime.
3. **Avoid extreme temperatures.** Always try to keep the battery between 15°C and 25°C (59°F and 77°F). Extreme temperatures reduce the capacity and lifetime of the battery. A device with a hot or cold battery may not work temporarily
4. **At least once a month** fully charge the battery.
5. **From time to time discharge the battery** by riding.
Use all stored energy in the battery.
6. **Before storing it for a long period** charge the battery half way.

BATTERY



BATTERY SAFETY REGULATIONS:

Keep the battery away from children & pets.

Exposure to the battery voltage can cause death or serious injury.

Unplug the battery from the outlet before performing any maintenance.

It is dangerous to work on an INOKIM Scooter when plugged into an electrical outlet. Electrical shock can cause serious injury and damage the scooter.

Do NOT use the scooter if the battery:

- Is damaged
- Emits an unusual odour or excessive heat
- Presents any leakage

Do not operate the scooter while charging!

Charge the battery only using INOKIM's approved charger.

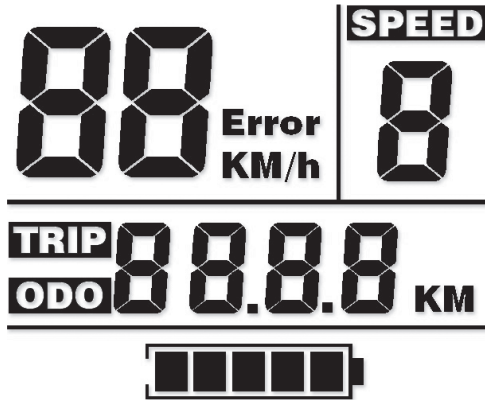
The use, storage or charging of the INOKIM battery outside specified limits may result in the annulment of the warranty, battery damage, and an ineffective battery charging.

DO NOT CUT, OPEN, CRUSH OR PUNCTURE BATTERIES.

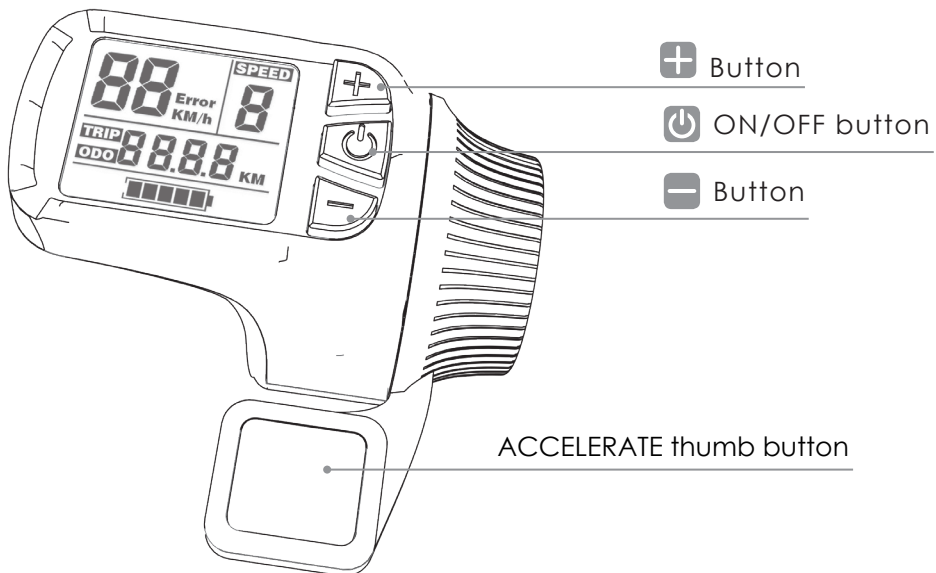
IN THE EVENT OF A BATTERY LEAK, PREVENT BATTERY LIQUID CONTACT WITH SKIN OR EYES. IF THIS HAPPENS, FLUSH THE AFFECTED AREAS IMMEDIATELY WITH WATER, OR SEEK MEDICAL HELP.

THROTTLE OPERATION

LCD DISPLAY











THROTTLE BUTTONS INTRODUCTION



WAIT UNTIL LCD DISPLAY STOPS FLASHING BEFORE YOU START RIDING.

THROTTLE OPERATION


- POWER ON** To power the scooter on: press 
Wait until LCD display stops flashing before you start riding.
- POWER OFF** To shut down the system:
press  for three seconds
- AUTO OFF** After 10 minutes of not using any function,
the scooter will automatically shut down.
- ACCELERATION** For accelerating: gently twist the thumb button.
The OX is powerful so be careful!
- SPEED** This function is to limit the full speed of the scooter,
for beginners or for more accurate riding in a
crowded surrounding.
The mode can be changed with the   buttons.
- TRIP** Your TRIP distance since your last trip reset.
Reset TRIP by long press 

To swap to ODO and battery voltage: press 
- ODO** Your scooters total distance since its factory assembly.
-  Your current battery voltage status
- LIGHTS FUNCTION** To turn the front and rear lights on: long press 
The LCD back-light indicates that the lights are on.
The lights will turn on automatically if the ambient
photographic coefficient is lower than the set value.
(You can set it in mode 5, p.13)
- Error** Your system has encountered an error,
please contact your local dealer to find out what it is.

DISPLAY MODE SETTINGS

Navigate easily through the settings:

Enter settings (mode1): Press  together for 2 seconds.

Switch between modes: Press .

Return to main function menu: Long press .

LCD BACK-LIGHT

Mode 1

There are 3 levels for LCD brightness: low/middle/high.

To change level from 1 to 3: Press .

Long press  to save setting.



Short press to enter Mode 2.

SPEED LIMIT MODE

Mode 2

Default and highest speed: 25km/h at full throttle.

You can define other speed limits (from 6km/h to 25km/h).

To change speed limit number: Press  or .

Long press  to save setting.

Short press to enter Mode 3.

CRUISE CONTROL


Mode 3

While riding at any same speed for more then ten (10) seconds, the Cruise Control will be turned on.

When Cruise Control is operated, you can release your thumb from the throttle and the scooter will continue to ride at full speed.

Default for safety reasons: Cruise Control Off ("n" indicates no Cruise Control).

To Enable Cruise Control: Press  or .

("Y"  indicates yes Cruise Control).

Long press  to save setting.

Short press to enter Mode 4.

DISPLAY MODE SETTINGS




WARNING





**Please be aware that when using Cruise Control,
RELEASING YOUR THUMB FROM THE THROTTLE
WILL NOT SLOW YOU DOWN!!!
You may find yourself in danger or endangering others.**

Your 2 ways to exit Cruise Control:

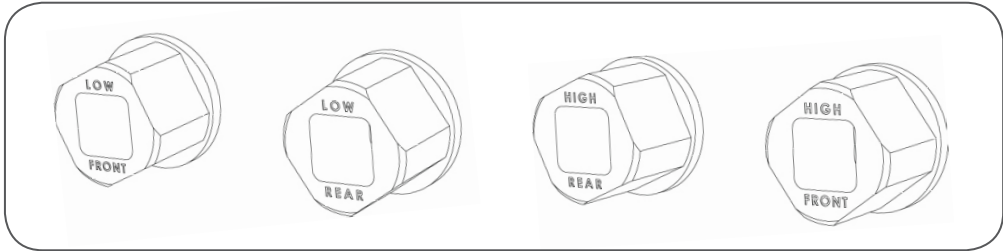
- Brake with the LEFT or RIGHT brake lever (both work).
- Press the thumb button again.

If you choose to set your Cruise Control to ON. It's very important you practice your exit, so that it comes naturally!

KM / MILE Default Setting: km/h ("0" indicates km).
Mode 4 Press + or - to alternate to mile ("1" indicates mile)
Long press  to save setting.
Short press to enter Mode 5.

PHOTOCELL The throttle has light sensors that detect the photographic coefficient (light level) and switch your lights on/off accordingly.
Mode 5 Default Setting: Photocell On ("Y" indicates yes)
To disable photocell Press  or  ("n" indicates no)
To adjust the light level - When letter is "Y" press 
Default value: 510.
Press +/- to turn up/down the value.
Long touch  to save setting.

THE OX SUSPENSION ADAPTERS PATENT



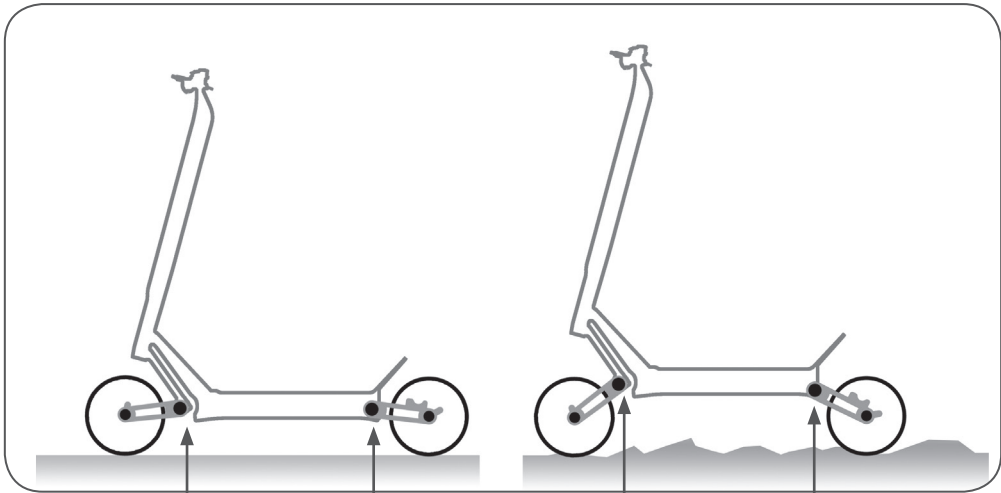
The OX has a unique patent on the adjustable suspension system.

The **OX** Suspension **A**dapter **P**atent : **OSAP**

The **OSAP** allows you to alternate the suspension position:

LOW POSITION is the default, for better stability mainly at higher speeds.

HIGH POSITION, is for larger suspension travel, mainly in rough terrain



WHEN REPLACING THE OSAP PAY ATTENTION:

Don't remove the wheel from it's hinge.
Work on the hinges that are ON the body.

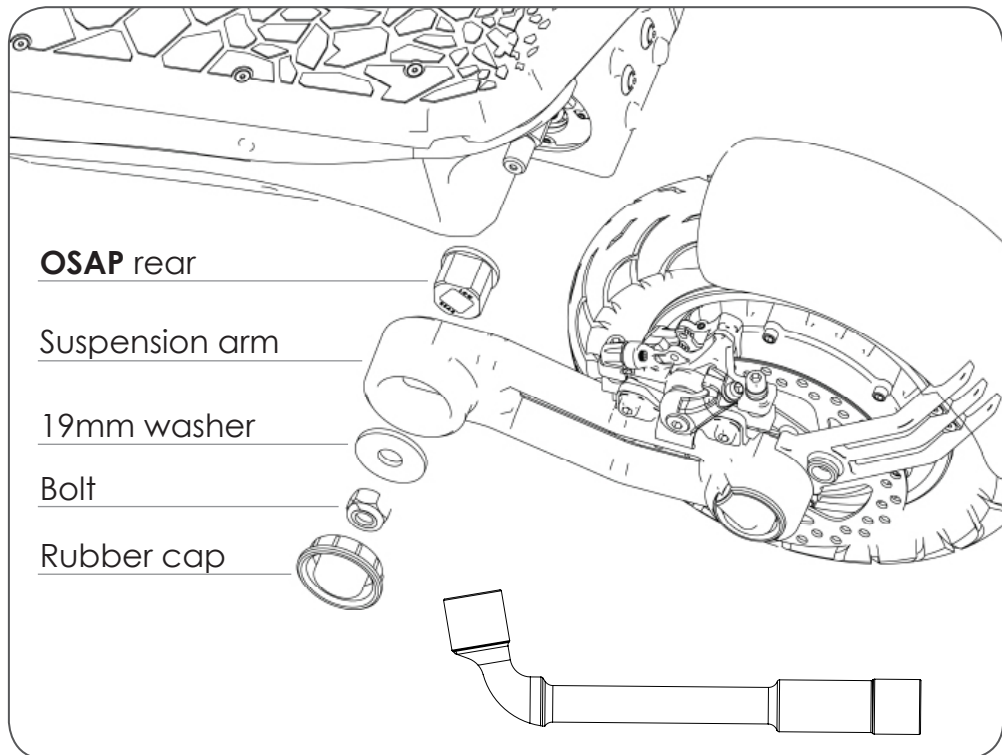
REPLACING **OSAP** FROM LOW TO HIGH

In order to turn your OX into HIGH POSITION use the HIGH POSITION kit:

It is recommended that you place the OX on an uplifted surface such as a chair or a box, so that the main body is firmly set on the surface and the two wheels are in the air.

Remove the rubber caps and use the 19 mm socket spanner to release the suspension arms from their location.

Once the suspension arm is out of its place, replace the **OSAP** from LOW to HIGH in each suspension arm. Note to keep front and rear **OSAP** in their places. Assemble back in a reverse order. You can use the sketch below for assistance.



CAREFUL RIDING

Get to know your OX before driving it. Test your control over it. Make your turns slowly and cautiously, and give yourself stopping distance.

To gain control over your scooter, practice your first ride on OX in an open space with no obstacles to disturb you.

The OX requires a short **adjustment and break-in period** for all moving parts to adjust themselves into their correct position

Before each ride always:

1. Check your brakes function.
2. Check the tires for signs of wear -
Spin them to make sure that they are not yet in need of replacing.
Make sure that the wheels are freely rotating from the brakes.
3. Perform a visual inspection :
That all screws and nuts are tight and in place.
Note if anything looks amiss, or is showing signs of wear.

If you are unsure, bring your OX to the authorized distributor.

RIDING TECHNIQUE:

Before riding position your foot as close as possible to the front section of the scooter, and your other foot on the ground. Make sure that your driving route is clear.

To start riding, boost yourself forwards (as on non-motorized scooters) with your foot that is on the ground. Immediately after, place your other foot on the scooter and press the thumb button downwards, tilting your body forwards so you won't fall backwards during acceleration.

CAREFUL RIDING



**As you accelerate, lean forwards.
As you brake, tilt your weight backwards!**

Avoid putting your body pressure on the handle bars in acceleration and deceleration!

Keep one foot behind the other, (it's more comfortable to place one foot forward and the other one turned backwards at 70-90°, like on skate/surfboard). It will help you gain more stability.

Turns - The turns on INOKIM are done as on surf/ski/snowboard. The handlebar should be in parallel to the body. Before turning look at the approaching direction and make sure turning is safe.

Braking - Tilt your weight backwards so that the brake action will come through the feet and not through the handlebar and steering system. It is best to learn how to adjust the centre of gravity while stopping, otherwise there is a dual concern: forward turning over and/or wear and breaking of the handlebar and steering system.



Riding, like most sports, involves risks of injury and damage. By choosing to ride INOKIM the responsibility and all inherent risk is on you. It is crucial that you know, understand and act according to safety rules.

FOLDING MECHANISM ADJUSTMENT

If the folding mechanism is too loose or too tight, you can adjust it.

The Tools you'll need:
Hex key 4mm
Wrenches 8mm 10mm



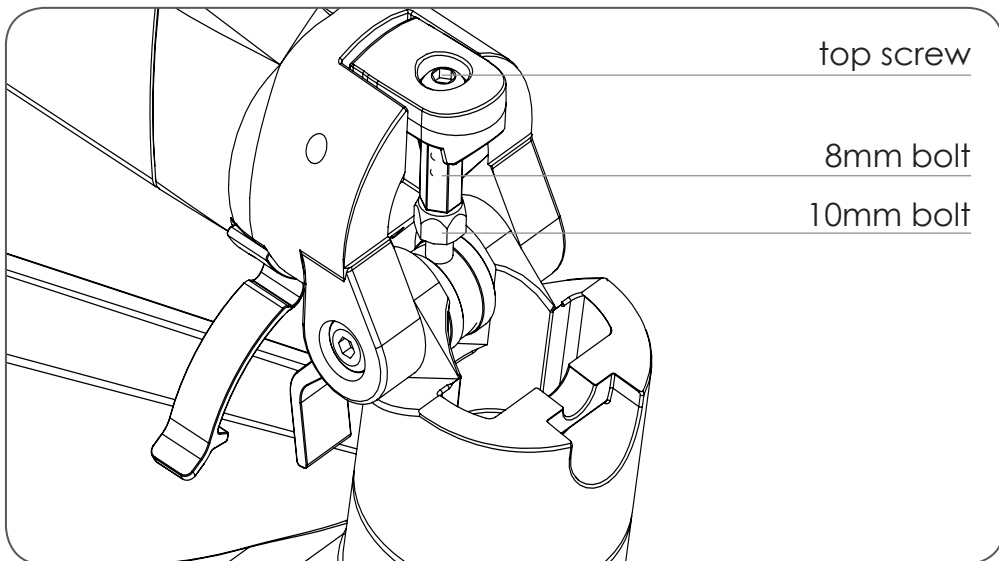
**The adjustments needed are VERY small.
Work sensitively, be patient and you'll get it right!**

To Tighten:

1. Using the hex key turn **top screw** - **counter clockwise** by half a turn (to loosen it).
2. Then use the wrench and turn **10mm bolt** - **clockwise** by half a turn (to lower it).
3. Now turn **8mm bolt** - **clockwise** and tighten it to bolt 8mm.
4. Test the function and only then, tighten back **top screw**.

To Loosen:

Follow the same steps, but turn the crews in the opposite direction.



SERIAL NUMBER

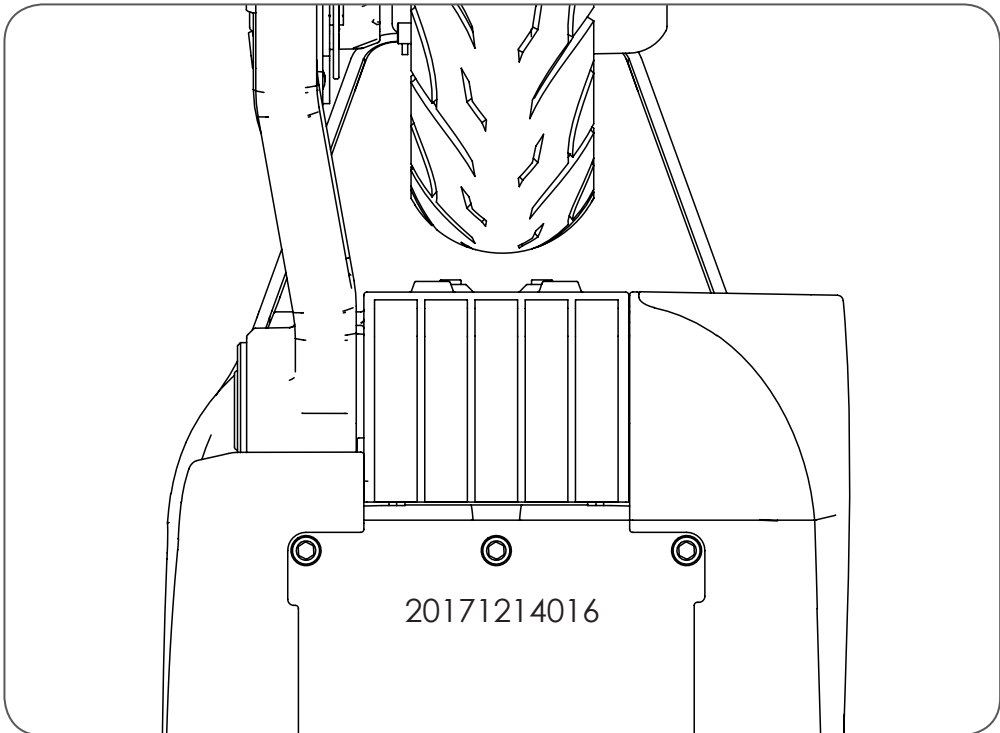
Each INOKIM has a unique serial number.

These numbers can provide information that may be useful later on for insurance claims and in case of loss or theft.



**Write down the serial number of your OX scooter.
Keep this information separately and in a safe place!**

The number is on the BOTTOM REAR SIDE of the board



Join / create INOKIM RIDERS in your city!



OPERATION & MANAGEMENT
NINGBO MYWAY INTELLIGENT TECHNOLOGY CO.,LTD.
17# PUTUOSHAN ROAD, BEILUN, NINGBO,
ZHEJIANG PROVINCE, CHINA 315806
WWW.INOKIM.COM | GLOBAL@INOKIM.COM



LIKE A STAR

Send us a pic of YOU & YOUR INOKIM
We'll make it into a SHINING poster.

By the end of the year the one
who has the most likes wins a

S * U * P * R * I * Z * E



WWW.INOKIM.COM