

INOKIM

Urban Freedom



QUICK⁴

USER GUIDE



Electric



Personal



Mobility

A note from the designer:

When we started designing our first electric scooter in 2009, we envisioned a world where cars are used for long range distance only, while micro mobility will become the primary form of transportation in urban environments.

Over the years, the popularity of electric scooters expanded. We observed users had differing needs. Some integrate their scooter with public transport, meaning they need a light, portable e-scooter. Others use their scooters to cover long distances, often over challenging terrain.

We created QUICK⁴ to provide comfort and long range while still being light and foldable.

The suspension handles urban landscapes, rough or smooth, and the fast folding mechanism (hence the source of the name "QUICK") allows for easy storage and carrying.

All that whilst still maintaining a clean and iconic design, excellent riding performance, and a digital panel offering technological control and information.

We hope QUICK⁴ will be integrated into people's lives mainly as a means of daily commuting.

Do not forget to wear a helmet ;)

Enjoy, ride carefully and return home safely



Nimrod Riccardo Sapir

QUICK⁴ TABLE OF CONTENTS:

WHY READ THIS MANUAL?	4
SAFETY REGULATIONS & BATTERY SAFETY	5
SPECIFICATIONS.....	6
UNFOLDING.....	8
FOLDING.....	10
CHARGING	11
OPERATION	12
HOW TO RIDE	13
FUNCTIONS	14
SETTINGS	15
SETTINGS & ERRORS	17
MAINTENANCE.....	18
BATTERY MAINTENANCE.....	19



**Write down the serial number of your INOKIM
Keep this information separately and in a safe place!**



WHY READ THIS MANUAL?

Understanding your new INOKIM's features, performance, proper use & maintenance, will help you:



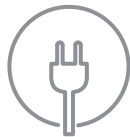
ENJOY

Get the most out of your first and every ride.



RIDE SMART

For the safety of yourself and your surroundings.



MAINTAIN YOUR INOKIM

For many years of safe and fun riding.

DISCLAIMER

MYWAY Ningbo Intelligent Technology will not be held responsible for any special, consequential or incidental damages caused by the use or misuse of our products. The user agrees to accept full responsibility for all such risks and to not hold MYWAY Ningbo, its distributors or retailers, responsible for any incident, injury to persons, or damage to property caused by misuse of the product.

SAFETY REGULATIONS



WARNING

Always wear a helmet. Most serious injuries that occur while riding are head injuries. This can be prevented if a helmet is worn. You must wear a helmet while riding your QUICK⁴. The helmet must be worn according to its instructions.

Follow the local laws and regulations. Certain countries or regions require safety devices or gear. It is your responsibility to know the state laws and follow them.

Do not carry passengers.



BATTERY SAFETY REGULATIONS

ONLY USE INOKIM QUICK⁴ CHARGER.

Keep the battery away from children & pets. Exposure to the battery voltage can cause death or serious injury.

Unplug the battery from the outlet before performing any maintenance.

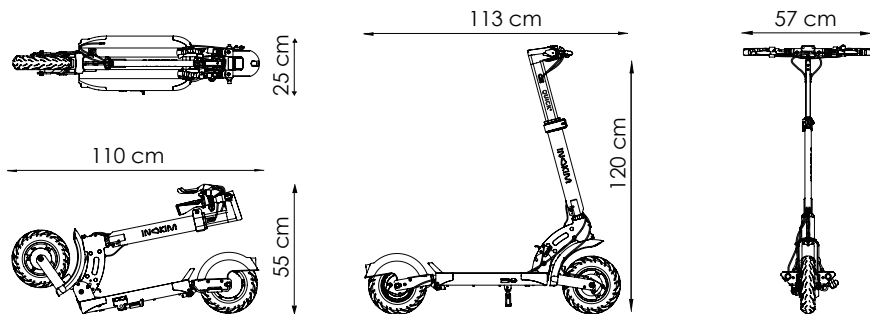
It is forbidden to operate INOKIM products when plugged into an electrical outlet.

Do NOT use the QUICK⁴ if the battery:

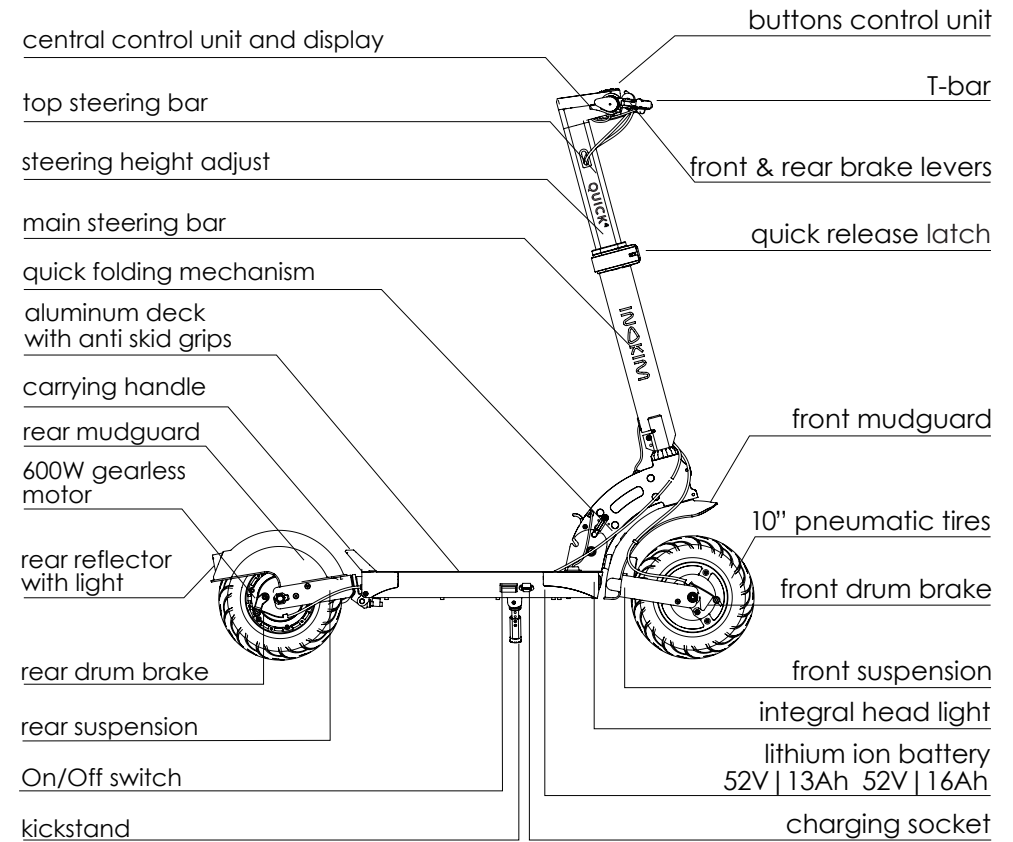
- Is damaged
- Emits an unusual odour or excessive heat
- Presents any leakage

SPECIFICATIONS

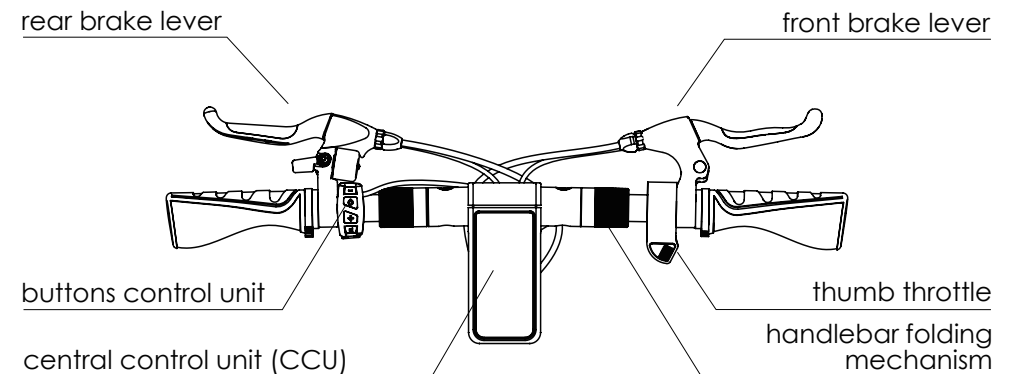
MODEL	QUICK ⁴
Lithium Battery	Hero 52V 13Ah Super 52V 16Ah (Samsung cells)
Weight	21.5 kg 66.5 lb
Range (Full speed Mode 25km/h 75kg, 25°C)	Hero 50km Super 55km
Range (Eco Mode 15km/h 75kg, 25°C)	Hero 58km Super 70km
Charging Time (H)	7 hours
Motor (Rated power)	600W gearless
Motor (Peak power)	1100W gearless
Max Speed	25 km/h 16 mph
Brakes	Front and rear drum brakes
Tire Size	10"/2.5 pneumatic tires
Tire Air Pressure	40 PSI to 50 PSI
Folded Size (L x W x H)	110 x 55 x 25 cm 43 x 21.5 x 10 inches
Open Size (L x W x H)	113 x 57 x 120 cm 44.5 x 22.5 x 47 inches
Load Limit	120 kg 265 pounds
Lights	Integral LED front light, rear light
Throttle	Electric thumb throttle



SPECIFICATIONS

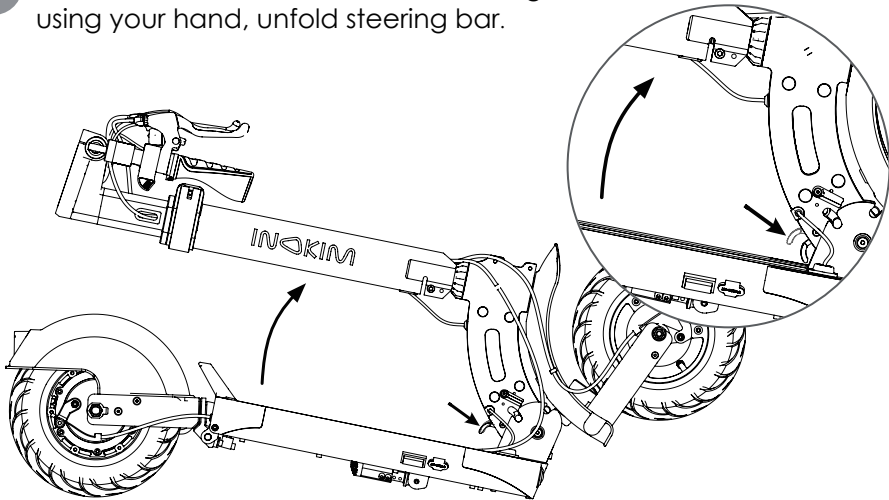


T-BAR RIDER INTERFACE

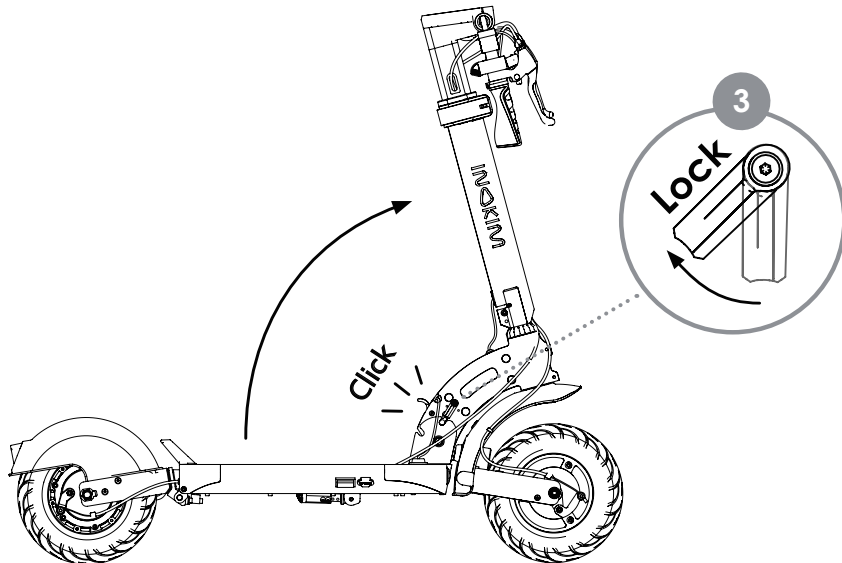


UNFOLDING

- 1 Press down the **RED** Pedal in the folding mechanism using your hand, unfold steering bar.



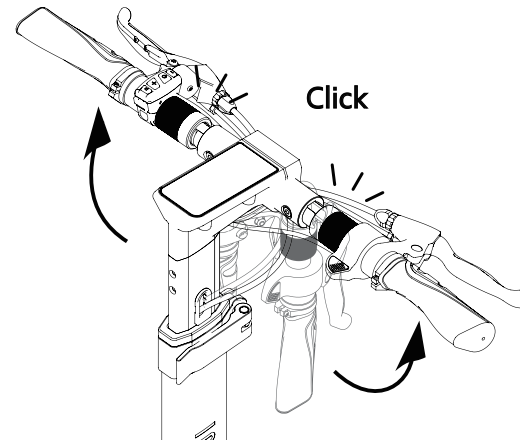
- 2 Pull up and push out the steering rod until you hear the click of the locking mechanism.



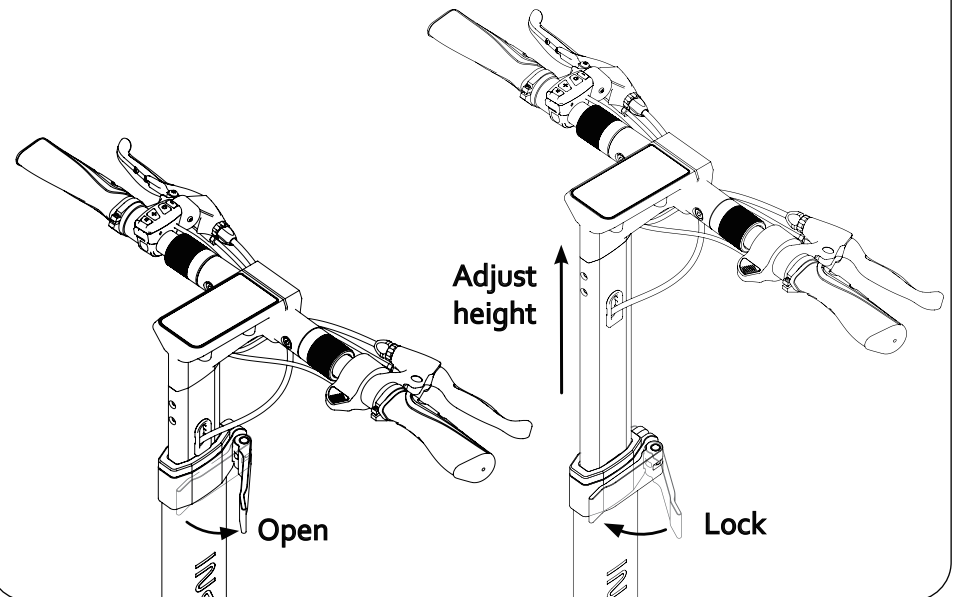
- 3 Use the **RED SAFETY LOCK** to secure the folding mechanism.

UNFOLDING

- 4 Unfold handlebars until they click in to place.



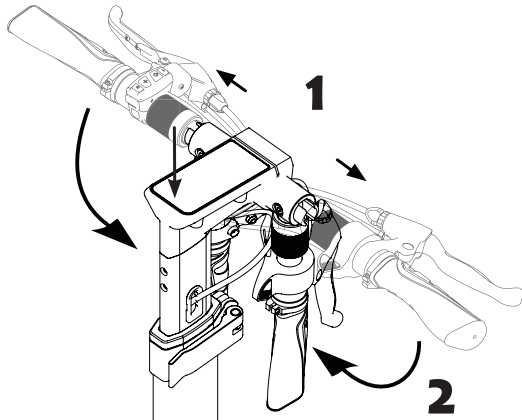
- 5 On the steering bar, open the **RED** quick release latch, slide the steering bar to your preferred height and lock the latch.



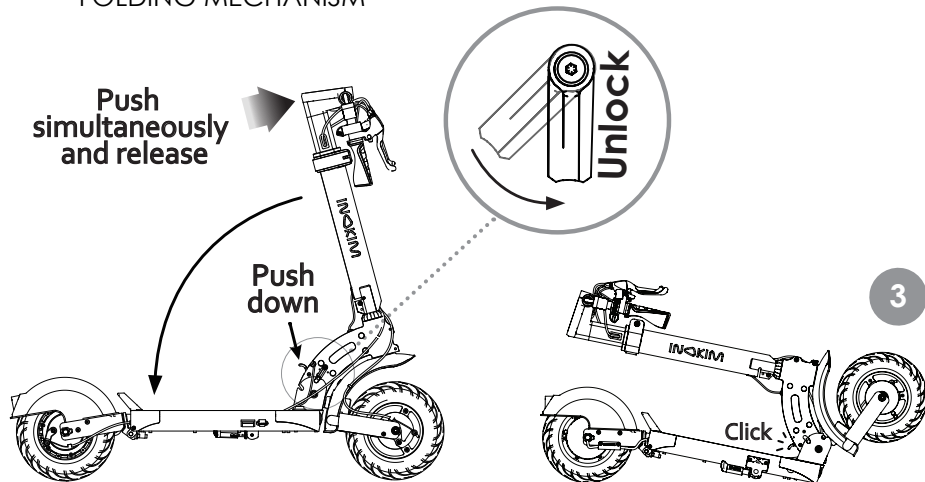
FOLDING

To fold QUICK4, repeat unfolding actions in reverse order:

- 1 To fold the handlebars, push the **RED** secure sleeves aside

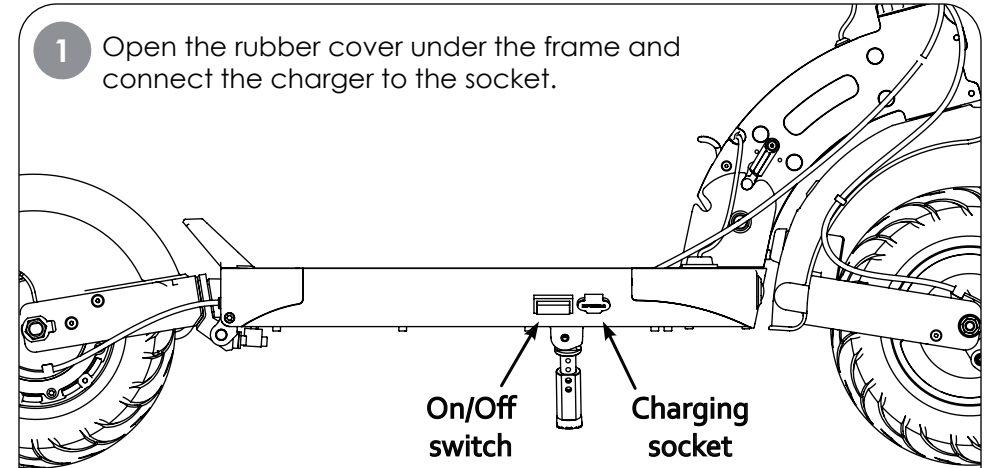


- 2 To fold QUICK4, release the **RED SAFETY LOCK** first, push the steering bar firmly forward while at the same time using your foot to push the **RED** pedal down to release the **FOLDING MECHANISM**



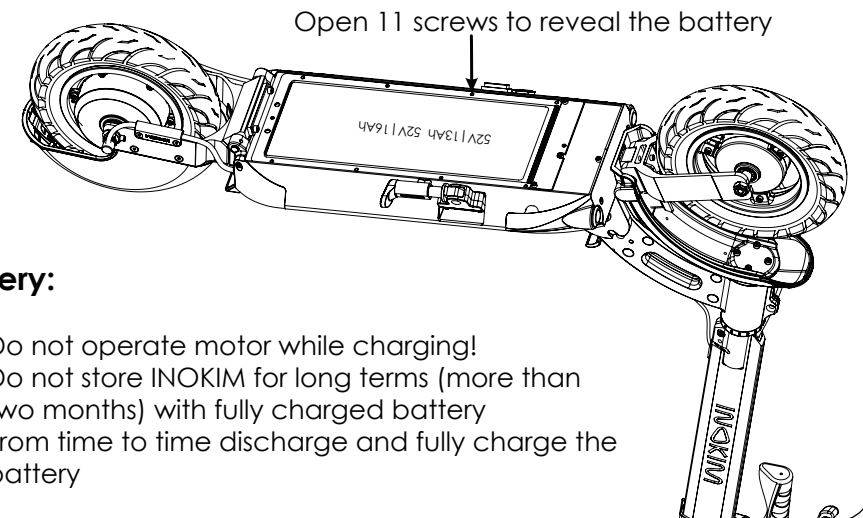
CHARGING

- 1 Open the rubber cover under the frame and connect the charger to the socket.



Charging Indication:
RED light - Battery charging
GREEN light - Charging complete

- 2 **Attention!** Read battery safety and maintenance sections carefully before charging and mounting the battery.



Battery:

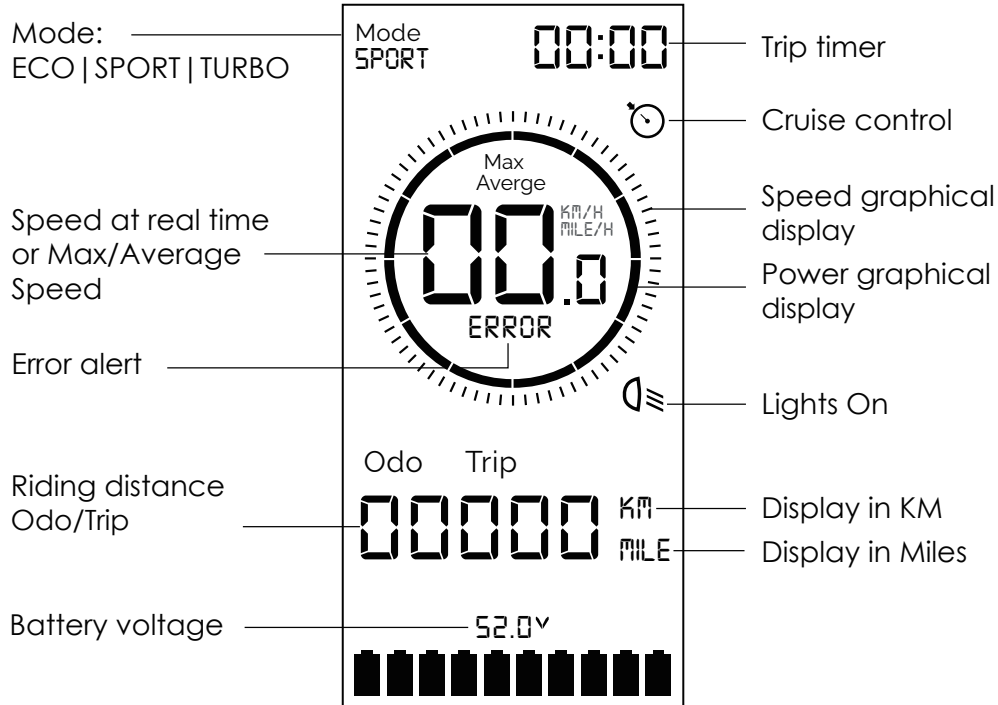
- Do not operate motor while charging!
- Do not store INOKIM for long terms (more than two months) with fully charged battery
- From time to time discharge and fully charge the battery

OPERATION

LCD DISPLAY

The QUICK⁴ scooter contains a Central Control Unit (CCU) at the center of the T - Bar.

The CCU is displayed by an LCD and the functions are applied by the the control buttons on the left hand side of the the T - Bar.



BUTTONS AND FUNCTIONS ON CONTROL UNIT

- Up / Increase
- Select / Switching menu / Quit menu
- Down / Decrease
- Light

HOW TO RIDE

To turn on:

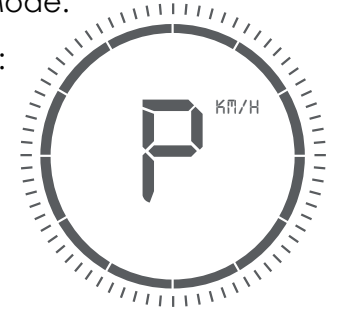
Turn battery On, use the On/Off switch under the deck on the right side of the scooter.

Press on buttons control unit to turn the system On.

Once the system is turned On, it is in Parking Mode.

To start riding you can do any of the following:

1. Short press on either brake handle
2. Fast double press the throttle
3. Press or or



To turn off:

Shut down for short periods:

Press for 3 seconds to turn the system Off

Shut down for long periods:

Turn battery Off, use the On/Off switch under the deck on the right side of the scooter.

After 30 seconds of no use, the system will enter Parking mode.

After 3 minutes of no use, the system will automatically shut down.

FUNCTIONS

MODE

When the system is ON, press  for TURBO Mode, press  for ECO Mode.

LIGHTS

When Power is ON, long press  to turn the lights on.

When Power is ON at night, the light sensor will automatically turn the lights on. This function can be adjusted for different sensitivity in darkness.

RIDING DISTANCE DISPLAY

When the system is turned ON for the first time, the display will show the distance of a single trip by default.

Each press  will change the display information:

- ODO (the total distance of QUICK⁴)
- Single trip distance
- Average speed in a single trip
- Maximum speed in a single trip

Average speed and Max speed will be displayed for 2 seconds only.



SINGLE TRIP RESET

When trip is displayed press  2 seconds.

Odo Trip
00000 KM
MILE



SETTINGS

To enter **SETTINGS**: while the system is On, press  +  simultaneously for 2 seconds.


P 1.1 will appear.

P 1.1 - LCD BRIGHTNESS

 to increase  to decrease


00001 - 00005 (5 levels of LCD brightness)

P 1.2 - SPEED LIMIT

While in **SETTINGS** press  once to enter **P 1.2 - Speed limit**


The default and maximum motor speed is 25 KM/H.

You can decrease the maximum speed by pressing .

You can increase the maximum speed up to 25 KM/H, by pressing .

SETTINGS

P 1.3 - CRUISE CONTROL FUNCTION

While in **SETTINGS** press  X 2 times to enter **P 1.3 - Cruise control function.**


By default the cruise control is Off.

Press  or  to turn cruise control On.

Display will show  cruise control On.

Display will show  cruise control Off.

P 1.4 - KM / MILES SETTING

While in **SETTINGS** press  X 3 times to enter **P 1.4 - KM/Miles Setting.**


By default the setting units is metric.


Press  or  to change from metric to mileage.

The display will show  ^{km} or  _{MILE}.

SETTINGS

P 1.5 - AUTOMATIC LIGHTING SENSITIVITY IN DARKNESS

While in **SETTINGS** press  X 4 times to enter **P 1.5 - Automatic lighting sensitivity in darkness.**

Press  to increase sensitivity of automatic lights turning on in darkness.

Press  to decrease sensitivity of automatic lights turning on in darkness.

ERRORS

ERROR will flash when there is a fault in the electric system

- Error 21 Brake sensors fault
- Error 22 Thumb throttle fault
- Error 24 Motor hall signal fault
- Error 40 Controller fault

MAINTENANCE

In order to maintain the product in the best possible way, we recommend that you:



ONCE A DAY

Check tire air pressure (45 PSI), brakes & battery state before ride



ONCE A WEEK

Check tire condition & brakes quality
Check for loose screws



EVERY 6 MONTHS

Get serviced at a local service center
Open battery cover to check sealings
General store maintenance

BATTERY MAINTENANCE

MAXIMIZE YOUR BATTERY'S PERFORMANCE:

1. For its initial charge, **FULLY** charge your QUICK⁴. This conditions the battery for future life-span.
2. Do **NOT** leave a fully charged battery connected to a charger, since overcharging may shorten its lifetime.
3. Avoid extreme temperatures. Always try to keep the battery between 15°C and 25°C (59°F and 77°F). Extreme temperatures reduce the capacity and lifetime of the battery. A device with a hot or cold battery may not work temporarily.
4. At least once a month fully charge the battery.
5. From time to time discharge the battery by riding. Use all stored energy in the battery.
6. Before storing it for a long period, charge the battery half way.

USE QUICK⁴ INOKIM CHARGER ONLY!

Your QUICK⁴ has a Lithium Battery with an external charger.

When charging, connect the charging cable in this order:
Plug in the charger to INOKIM's charging socket first, then plug it in to the electric outlet socket.

DO NOT USE THE BATTERY IF THE BOARD:

- Is damaged
- Emits an unusual odour or excessive heat
- Presents any leakage

Avoid contact with substances leaking from the battery.
Keep the battery away from children and pets.
Exposure to the battery voltage can cause death or serious injury.

The use, storage or charging of the INOKIM battery outside specified limits may result in the annulment of the warranty, battery damage and an ineffective battery charging.



OPERATION & MANAGMENT
NINGBO MYWAY Intelligent Technology Co.,Ltd
#18 Nanhai Road, Beilun, Ningbo.
ZHEJIANG PROVINCE, CHINA 315800.
www.inokim.com | global@inokim.com

INOKIM OFFICIAL



WWW.INOKIM.COM