

- ▶ TopLine Grant SD
- ▶ System components

## 3 Silent System SD



- ▶ Quietly and gently opening and closing sliding doors
- ▶ Suitable for door weight up to 68 kg (150 lbs)
- ▶ Set contains all Silent System components for a 1-door application

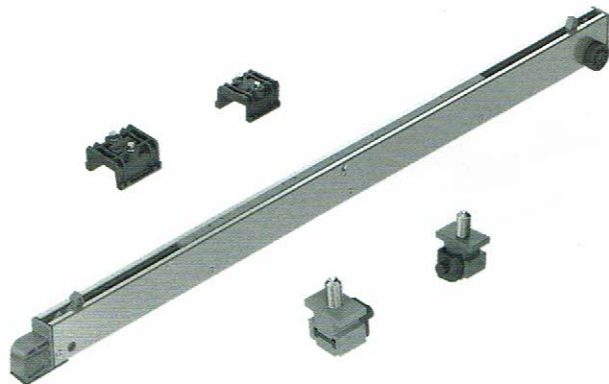
Set comprises:

- ▶ 1 Silent System unit SD
- ▶ 2 activators SD
- ▶ 2 end stop for Silent System SD
- ▶ 1 torx wrench key TX15
- ▶ Fixing screws

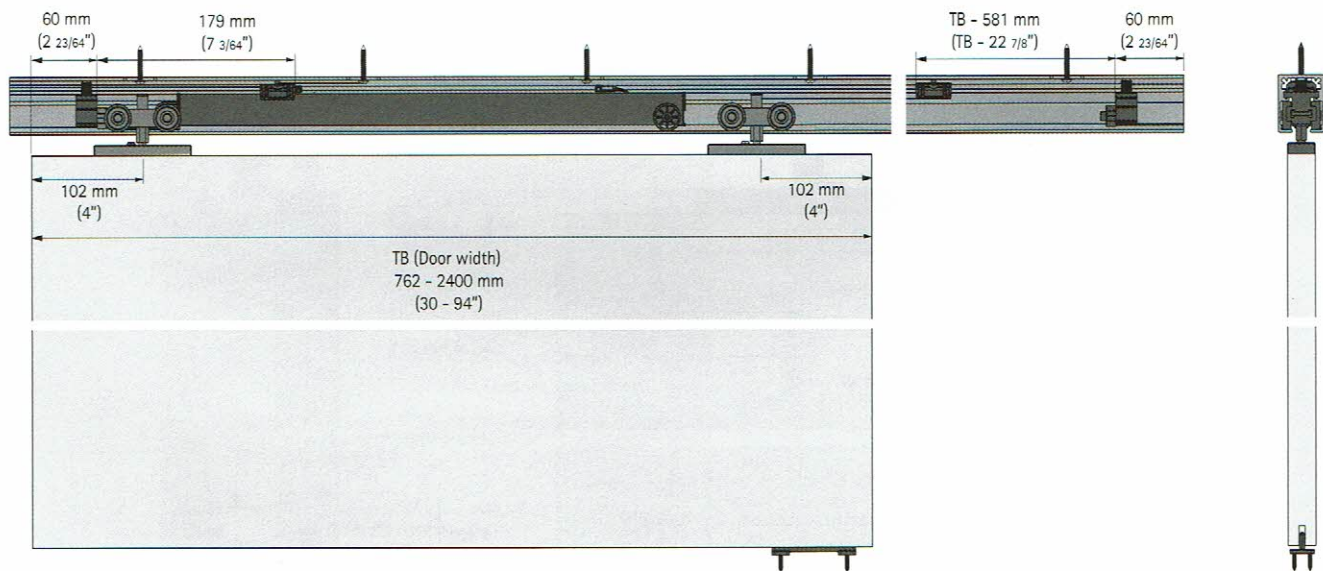
Advice:

- ▶ Door width 762 mm (30") minimum

Order no.	PU
9 235 608	1 set



## Planning dimensions



- ▶ TopLine Grant HD
- ▶ System components

## 3 Silent System HD



- ▶ Quietly and gently opening and closing sliding doors
- ▶ Suitable for door weight up to 147 kg (325 lbs)
- ▶ Set contains all Silent System components for a 1-door application

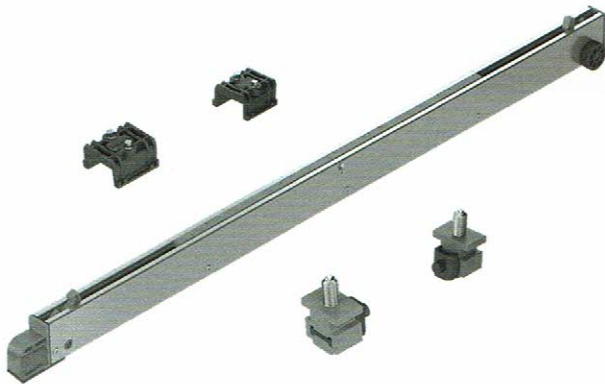
Set comprises:

- ▶ 1 Silent System unit HD
- ▶ 2 activators HD
- ▶ 2 end stop for Silent System HD
- ▶ 1 torx wrench key TX15
- ▶ Fixing screws

Advice:

- ▶ Door width 762 mm (30") minimum

Order no.	PU
9 235 621	1 set



## Planning dimensions

