

Single Door Set
 Top Line Grant 71-222
 up to 150 lbs/door (68 kg/door)
 for door thickness w" (19 mm) minimum, top mount, adjustable



Top Line Grant 71-222 components

Carrier 7000 ball bearing

Steel, precision ball bearing wheels,
 up to 150 lbs/door (68 kg/door)



Top plate 7222

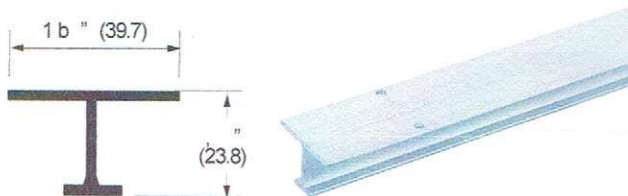
Steel,
 with pendant bolt, adjustable

Screws included



Single track 7001

Aluminum extruded, pre-drilled holes



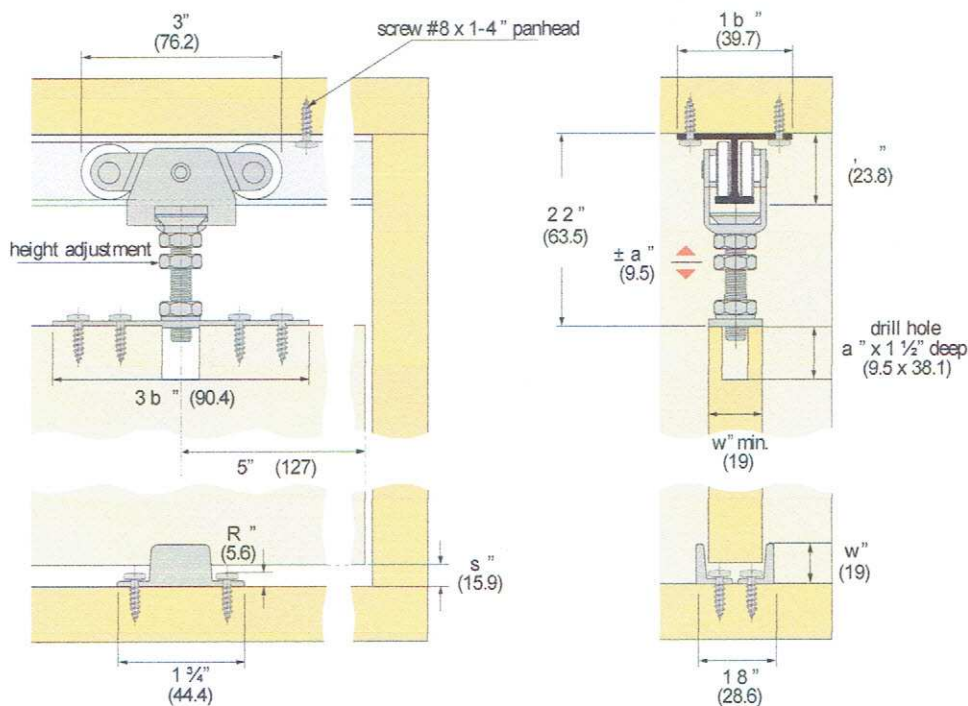
Specifications:

Mounting: Top
 Adjustment: w" (19 mm) vertical
 Door thickness: w" (19 mm) min.
 Headroom: 28" (53.9 mm) min., 2d" (73 mm) max.
 Application: Single & bi-parting

Top Line Grant 71-222

A medium duty commercial and residential grade sliding door hardware series ideal for single and bi-parting installations. Applications include doors between rooms, closet doors, cabinets, storage walls, and partitions.

- For doors w" and up weighing up to 150 lbs (68 kg), optional nylon wheel carrier up to 100 lbs (45 kg)
- Precision ball-bearing wheels ensure a smooth, quiet and long lasting performance.
- Heavy duty aluminum I-beam track; jump proof design
- Floting rocker arms ensure track-carrier contact.
- Ball and socket suspension compensates for minor header misalignment.
- Lock nut ensures permanent positioning.
- Vertical adjustment w" (19.1 mm)
- Meets and/or exceeds ANSI/BHMA standards
- Made in USA



Technical specifications are subject to change without notice

Single Door Set for Bi-parting, By-passing and Pocket Doors
Top Line Grant 1230
 up to 325 lbs/door (147 kg/door)
 for door thickness 1" (25.4 mm) minimum, top mount, adjustable



Top Line Grant 1230 components

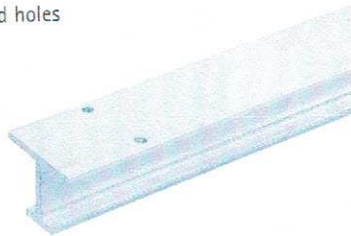
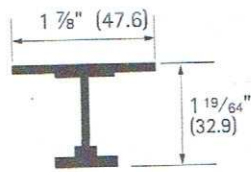
Carrier 1205

Steel, four wheels, precision bearings, with pendant and top plate
 Screws included



Single track 1201

Aluminum extruded, pre-drilled holes



Specifications:

Mounting: Top
 Adjustment: 1/2" (12.7 mm) vertical
 Door thickness: 1" (25.4 mm) min.
 Headroom: 3 1/4" (82.5 mm) min., 3 3/4" (95.2 mm) max.
 Application: Single, bi-parting, by-passing

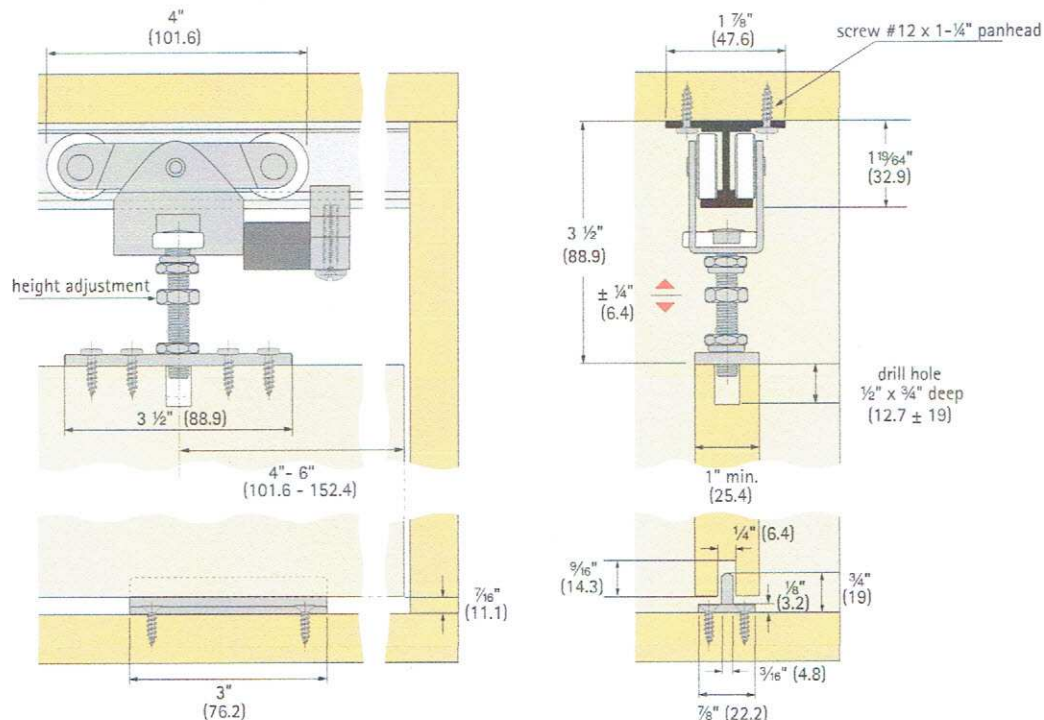
Top Line Grant 1230

A heavy duty commercial and residential grade sliding door hardware series ideal for design applications which require the movement of heavy panels, space dividers or large doors.

- For doors 1" and up weighing up to 325 lbs/door (147 kg/door)
- Precision ball-bearing wheels ensure a smooth, quiet and effortless operation.
- Four wheel carrier, center hung for efficient operation
- Vertical adjustment 1/2" (12.7 mm)
- Heavy duty aluminum I-beam track; jump proof design
- Meets and/or exceeds ANSI/BHMA standards
- Made in USA

For by-passing doors mount parallel tracks

For bi-parting doors use an additional set of hardware



Technical specifications are subject to change without notice