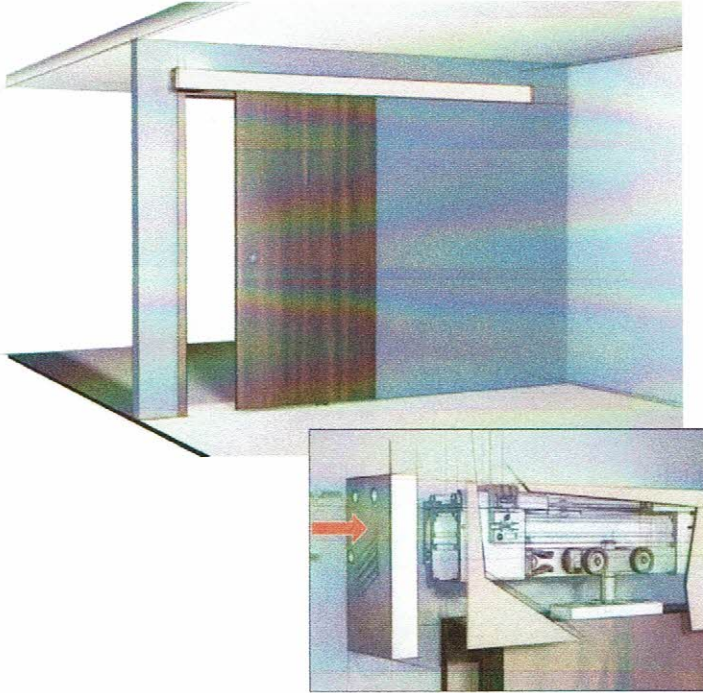


Single Door Set for Medium Duty Doors

Top Line Grant SD

up to 150 lbs/door (68 kg/door)

for door thickness 1" (25.4 mm) minimum, top mount, adjustable



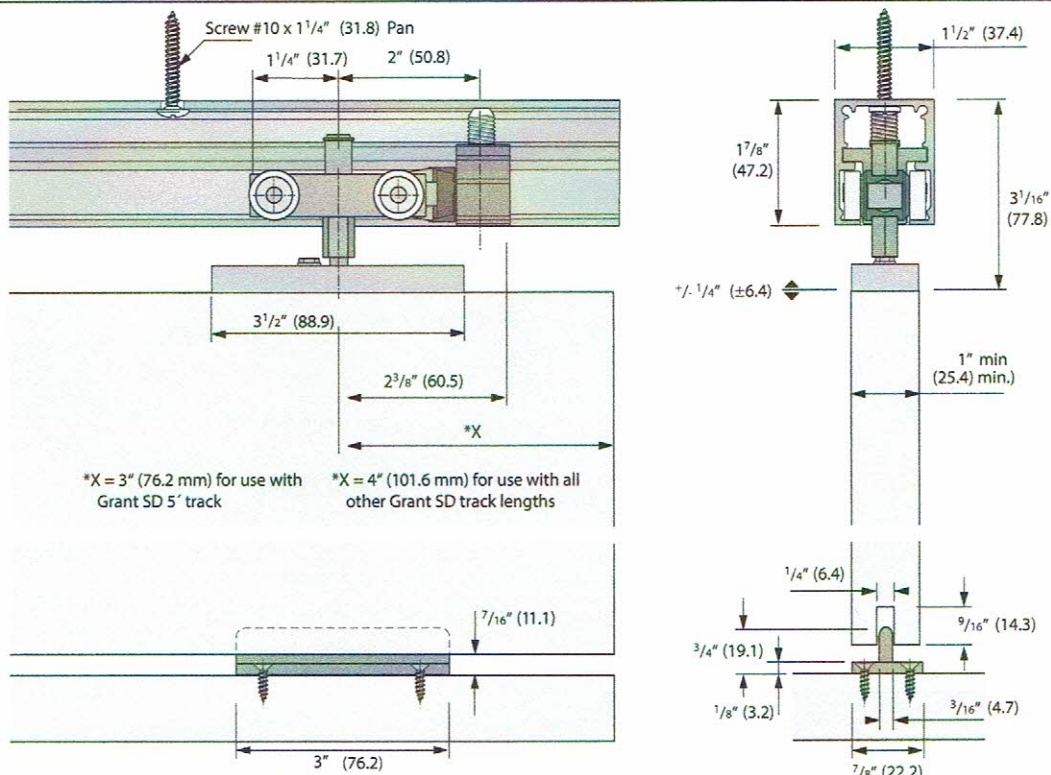
Top Line Grant SD

The Top Line Grant SD Series is a medium duty commercial and residential grade sliding door hardware series ideal for single and bi-parting installations. Applications include doors between rooms, closet doors, cabinets, and storage walls.

- Precision ball bearing wheels ensure a smooth, quiet, and long lasting performance.
- Self-leveling design allows for even distribution of load for maximum performance and durability.
- 1/2" vertical adjustment; minimal headroom required
- Aluminum box track
- Cushioned end stop holds door in place
- Wall mount bracket available
- Fascia available
- Meets and/or exceeds ANSI/BHMA standards

Although designed for single doors, by-passing doors can be accommodated by mounting parallel tracks. By using one additional set of hardware, bi-parting installations can be achieved.

The track is available in lengths up to 16 feet (4876 mm).



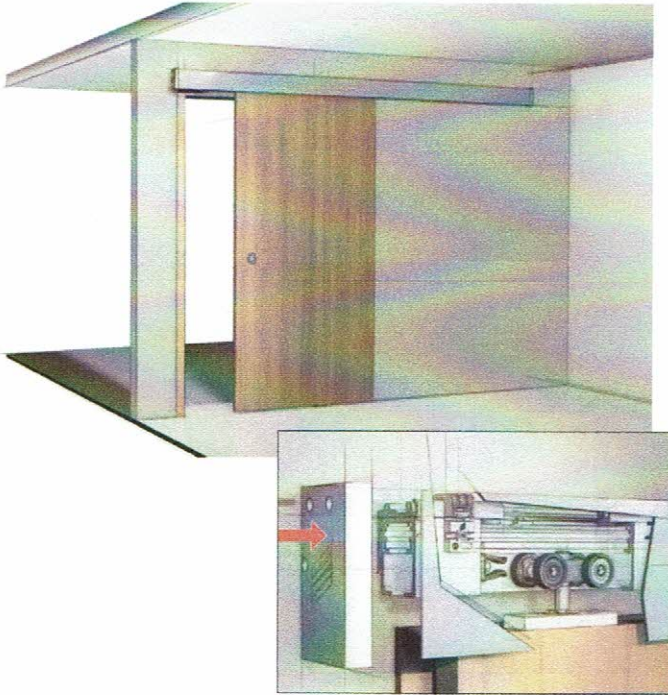
Technical specifications are subject to change without notice

Single Door Set for Heavy Duty Doors

Top Line Grant HD

up to 325 lbs/door (147 kg/door)

for door thickness 1" (25.4 mm) minimum, top mount, adjustable



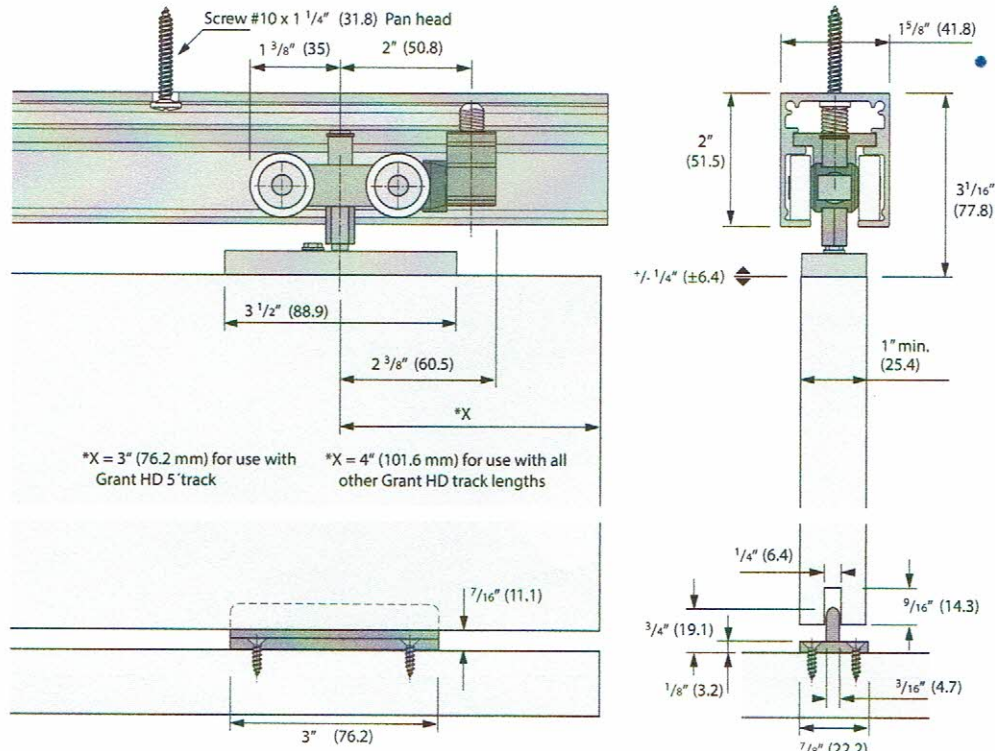
Top Line Grant HD

The Top Line Grant HD Series is a heavy duty commercial and residential grade sliding door hardware series ideal for single and bi-parting installations. Applications include the movement of heavy panels, space dividers or large doors.

- Precision ball bearing wheels ensure a smooth, quiet, and long lasting performance.
- Self-leveling design allows for even distribution of load for maximum performance and durability.
- 1/2" vertical adjustment; minimal headroom required
- Heavy duty aluminum box track
- Cushioned end stop holds door in place
- Wall mount bracket available
- Fascia available
- Meets and/or exceeds ANSI/BHMA standards

Although designed for single doors, by-passing doors can be accommodated by mounting parallel tracks. By using one additional set of hardware, bi-parting installations can be achieved.

The track is available in lengths up to 16 feet (4876 mm).



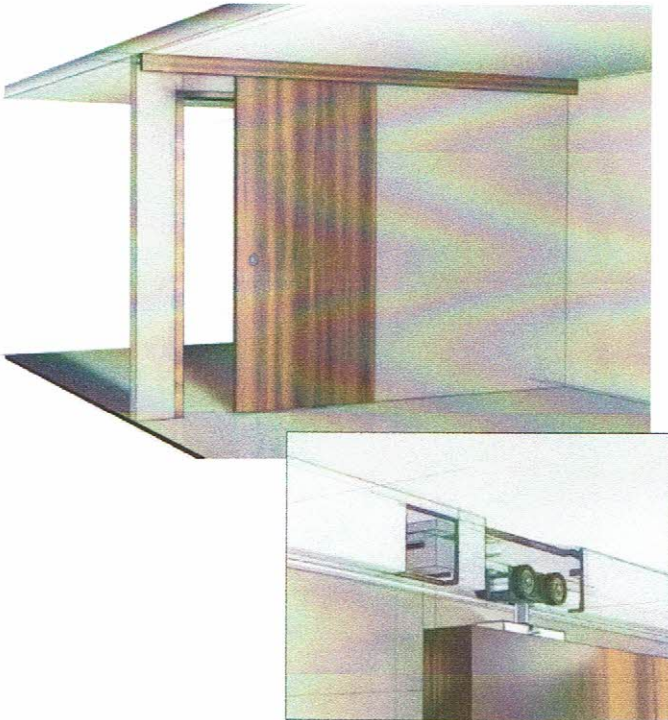
Technical specifications are subject to change without notice

Single Door Set for Heavy Duty Doors

Top Line Grant XHD

300 lbs to 500 lbs/door (136 kg to 227 kg/door)

for door thickness 1 3/8" (34.9 mm) minimum, top mount, adjustable



Top Line Grant XHD

The Top Line Grant XHD Series is a heavy duty line of sliding door hardware recommended for design applications which require the movement of heavy panels, space dividers or large doors.

The Hettich XHD sliding door hardware series will easily move heavy partitions or doors weighing 300 lbs to 500 lbs per door (136 kg to 227 kg) per door.

- Self-leveling design allows for even distribution of load for maximum performance and durability.
- 3/8" vertical adjustment with minimum headroom
- Precision bearing wheels ensure a smooth, quiet, and long lasting performance even under full load capacity.
- Heavy duty aluminum box track
- Decorative anodized finish for better corrosion resistance
- Outstanding performance and durability
- Meets and/or exceeds ANSI/BHMA standards

Although designed for single doors, by-passing doors can be accommodated by mounting parallel tracks. By using one additional set of hardware, bi-parting installations can be achieved.

The track is available in lengths up to 16 feet (4876 mm).

