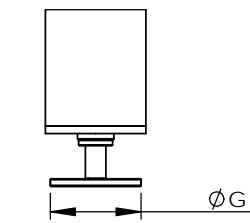
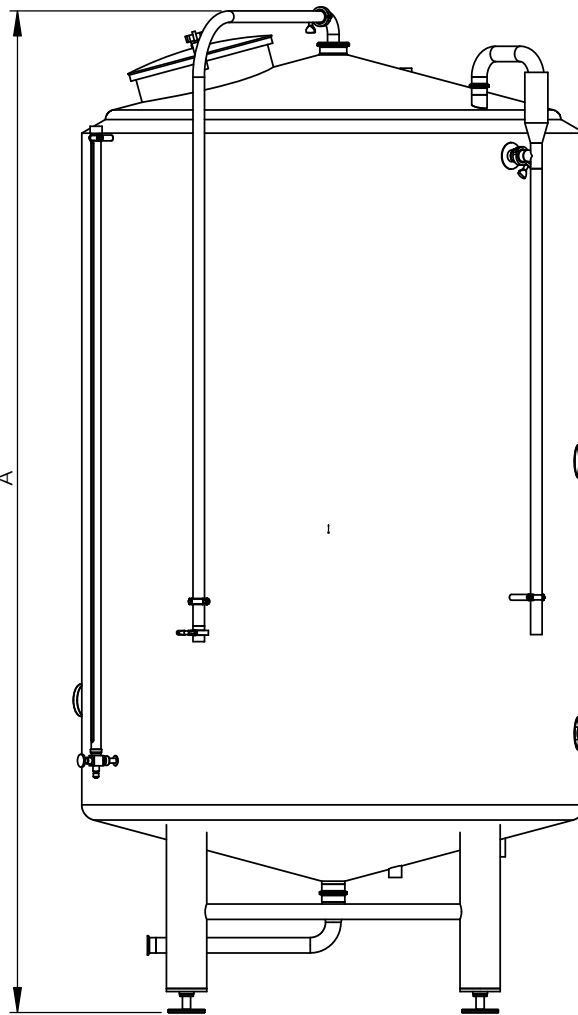
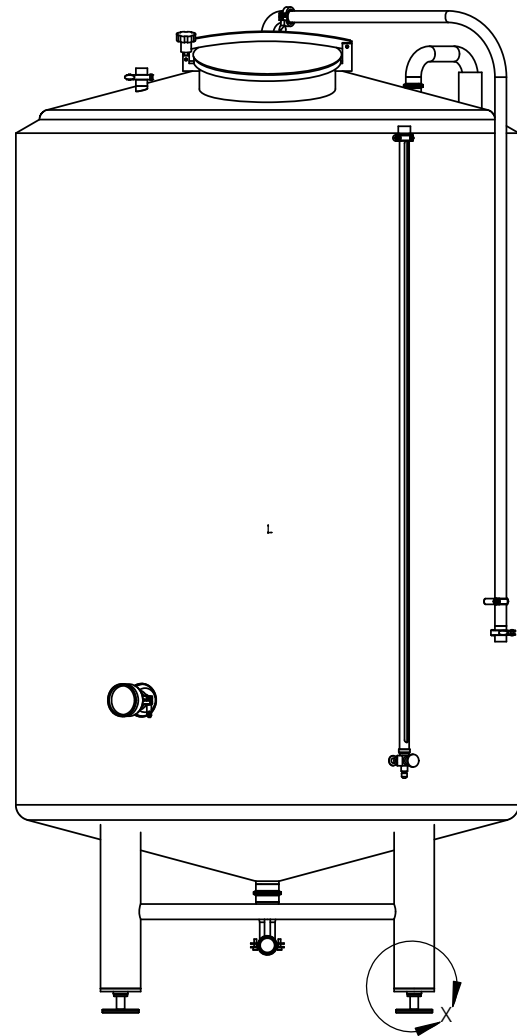


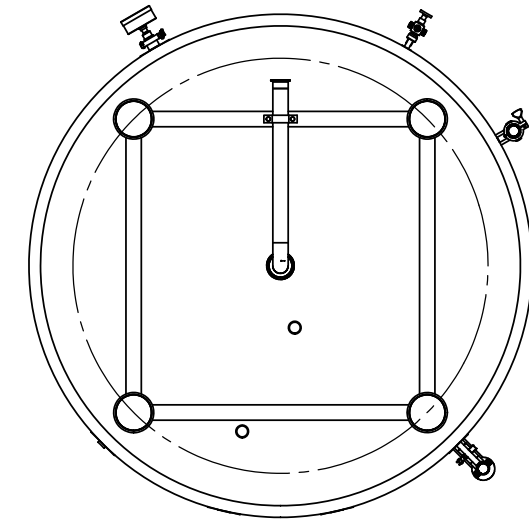
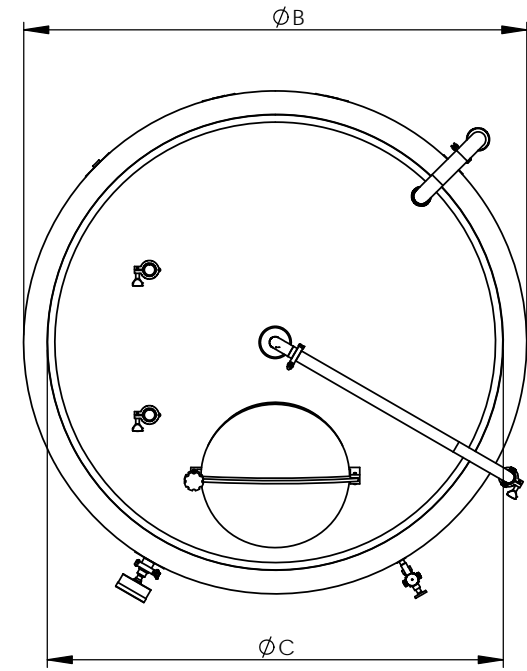
8 7 6 5 4 3 2 1

NOTES CONTINUED:

D
C
B
A



DETAIL X
SCALE 1 : 10



D
C
B
A

THE INFORMATION CONTAINED HEREIN IS FOR PLANNING PURPOSES ONLY AND IS NOT AN ENGINEERING DRAWING .

ALL VOLUMES, DIMENSIONS, AND WEIGHTS ARE APPROXIMATE AND SUBJECT TO CHANGE. CUSTOM SIZES ARE AVAILABLE PER REQUEST.

SINGLE WALL TANKS WITHOUT INSULATION AND COOLING JACKETS ARE ALSO AVAILABLE.

PROPRIETARY AND CONFIDENTIAL THE INFORMATION CONTAINED IN THIS DRAWING IS THE SOLE PROPERTY OF CRAFT KETTLE BREWING EQUIPMENT. ANY REPRODUCTION IN PART OR AS A WHOLE WITHOUT THE WRITTEN PERMISSION OF CRAFT KETTLE BREWING EQUIPMENT IS PROHIBITED.		NOTES AND TOLERANCES: (UNLESS OTHERWISE SPECIFIED) DIMENSIONS ARE IN INCHES TOLERANCES: 0.5 ± ANGULAR ± °		1. INTERPRET DRAWING PER ASME Y14.5-1994. 2. REMOVE ALL SHARP EDGES. 3. DO NOT SCALE FROM DRAWING.		CRAFT KETTLE BREWING EQUIPMENT		PART NAME Cold Liquor Tank Planning Dimensions	
MATERIAL Material <not specified>		NEXT ASSY		DWG. NO.		REV. 0.1		SIZE: B SCALE: 1:25 PROJECTION: SHEET: 1 OF 3	

REV.	DATE	DESCRIPTION	ZONE
-	-	-	-

CLT_Sales_Dimensions_PART PDM REV: 0.1

8 7 6 5 4 3 2 1

NOTES CONTINUED:

STANDARD SIZES

SIZE	A TANK HEIGHT (mm)	TILT HEIGHT (mm)	B OUTSIDE DIA. (mm)	C ID (mm)	TOTAL VOLUME (L)	G FOOT DIAMETER (mm)	GLYCOL VOLUME (L)	NO. JACKETS	SIZE OF PORTS (INCH-NPT)
3.5 BBL	1700	2000	960	800	488	120	3	2	3/4
5 BBL	2000	2300	1060	900	757	120	4	2	3/4
7 BBL	2000	2350	1160	1000	942	120	6	2	3/4
10 BBL	2700	2950	1160	1000	1445	120	9	2	3/4
15 BBL	2750	3100	1360	1200	2100	120	13	2	3/4
20 BBL	2900	3300	1510	1350	2792	120	20	2	1
30 BBL	3300	3700	1660	1500	4160	120	35	2	1
40 BBL	3700	4100	1760	1600	5314	200	50	2	1
60 BBL	4200	4650	1960	1800	8043	200	85	3	1
90 BBL	4500	5050	2260	2100	11802	200	120	3	1
120 BBL	5600	6050	2260	2100	15266	200	160	4	1

THE INFORMATION CONTAINED HEREIN IS FOR PLANNING PURPOSES ONLY
AND IS NOT AN ENGINEERING DRAWING .

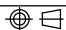
ALL VOLUMES, DIMENSIONS, AND WEIGHTS ARE APPROXIMATE AND SUBJECT TO CHANGE.
CUSTOM SIZES ARE AVAILABLE PER REQUEST.

SINGLE WALL TANKS WITHOUT INSULATION AND COOLING JACKETS ARE ALSO AVAILABLE.

PROPRIETARY AND CONFIDENTIAL THE INFORMATION CONTAINED IN THIS DRAWING IS THE SOLE PROPERTY OF CRAFT KETTLE BREWING EQUIPMENT. ANY REPRODUCTION IN PART OR AS A WHOLE WITHOUT THE WRITTEN PERMISSION OF CRAFT KETTLE BREWING EQUIPMENT IS PROHIBITED.	NOTES AND TOLERANCES: (UNLESS OTHERWISE SPECIFIED) DIMENSIONS ARE IN INCHES TOLERANCES: 0.5 ± ANGULAR ± °	1. INTERPRET DRAWING PER ASME Y14.5-1994. 2. REMOVE ALL SHARP EDGES. 3. DO NOT SCALE FROM DRAWING.
MATERIAL Material <not specified>		NEXT ASSY

CRAFT KETTLE

BREWING EQUIPMENT

REV.	DATE	DESCRIPTION	ZONE
-	-	-	-
PART NAME Cold Liquor Tank Planning Dimensions			
DESIGNER		DWG. NO.	REV.
DRAFTER			
CHECKER			
APPROVAL		SIZE: B	SCALE: 1:25
		PROJECTION: 	SHEET: 2 OF 3

NOTES CONTINUED:

STANDARD SIZES

SIZE	A TANK HEIGHT (IN)	TILT HEIGHT (IN)	B Outside dia. (IN)	C ID (IN)	TOTAL VOLUME (GAL)	G FOOT DIAMETER (IN)	GLYCOL VOLUME (GAL)	NO. JACKETS	SIZE OF PORTS (INCH-NPT)
3.5 BBL	67	78	37.8	31.5	129.0	5	1	2	3/4
5 BBL	79	90	41.7	35.4	200.1	5	1	2	3/4
7 BBL	79	92	45.7	39.4	248.9	5	2	2	3/4
10 BBL	106	116	45.7	39.4	381.7	5	3	2	3/4
15 BBL	108	122	53.5	47.2	554.9	5	5	2	3/4
20 BBL	114	130	59.4	53.1	737.7	5	5	2	1
30 BBL	130	146	65.4	59.1	1099.0	5	10	2	1
40 BBL	146	162	69.3	63	1403.9	8	15	2	1
60 BBL	165	184	77.2	70.9	2125.0	8	25	3	1
90 BBL	177	200	89	82.7	3118.2	8	32	3	1
120 BBL	220	238	89	82.7	4033.3	8	42	4	1

THE INFORMATION CONTAINED HEREIN IS FOR PLANNING PURPOSES ONLY
AND IS NOT AN ENGINEERING DRAWING .


ALL VOLUMES, DIMENSIONS, AND WEIGHTS ARE APPROXIMATE AND SUBJECT TO CHANGE.
CUSTOM SIZES ARE AVAILABLE PER REQUEST.

SINGLE WALL TANKS WITHOUT INSULATION AND COOLING JACKETS ARE ALSO AVAILABLE.

PROPRIETARY AND CONFIDENTIAL THE INFORMATION CONTAINED IN THIS DRAWING IS THE SOLE PROPERTY OF CRAFT KETTLE BREWING EQUIPMENT. ANY REPRODUCTION IN PART OR AS A WHOLE WITHOUT THE WRITTEN PERMISSION OF CRAFT KETTLE BREWING EQUIPMENT IS PROHIBITED.	NOTES AND TOLERANCES: (UNLESS OTHERWISE SPECIFIED) DIMENSIONS ARE IN INCHES TOLERANCES: 0.5 ± ANGULAR ± °	1. INTERPRET DRAWING PER ASME Y14.5-1994. 2. REMOVE ALL SHARP EDGES. 3. DO NOT SCALE FROM DRAWING. MATERIAL Material <not specified>
--	---	--

CRAFT KETTLE

BREWING EQUIPMENT

REV.	DATE	DESCRIPTION	ZONE
PART NAME			
Cold Liquor Tank Planning Dimensions			
DESIGNER		DWG. NO.	REV.
DRAFTER			
CHECKER			
APPROVAL		SIZE: B	SCALE: 1:25
		PROJECTION: 	SHEET: 3 OF 3