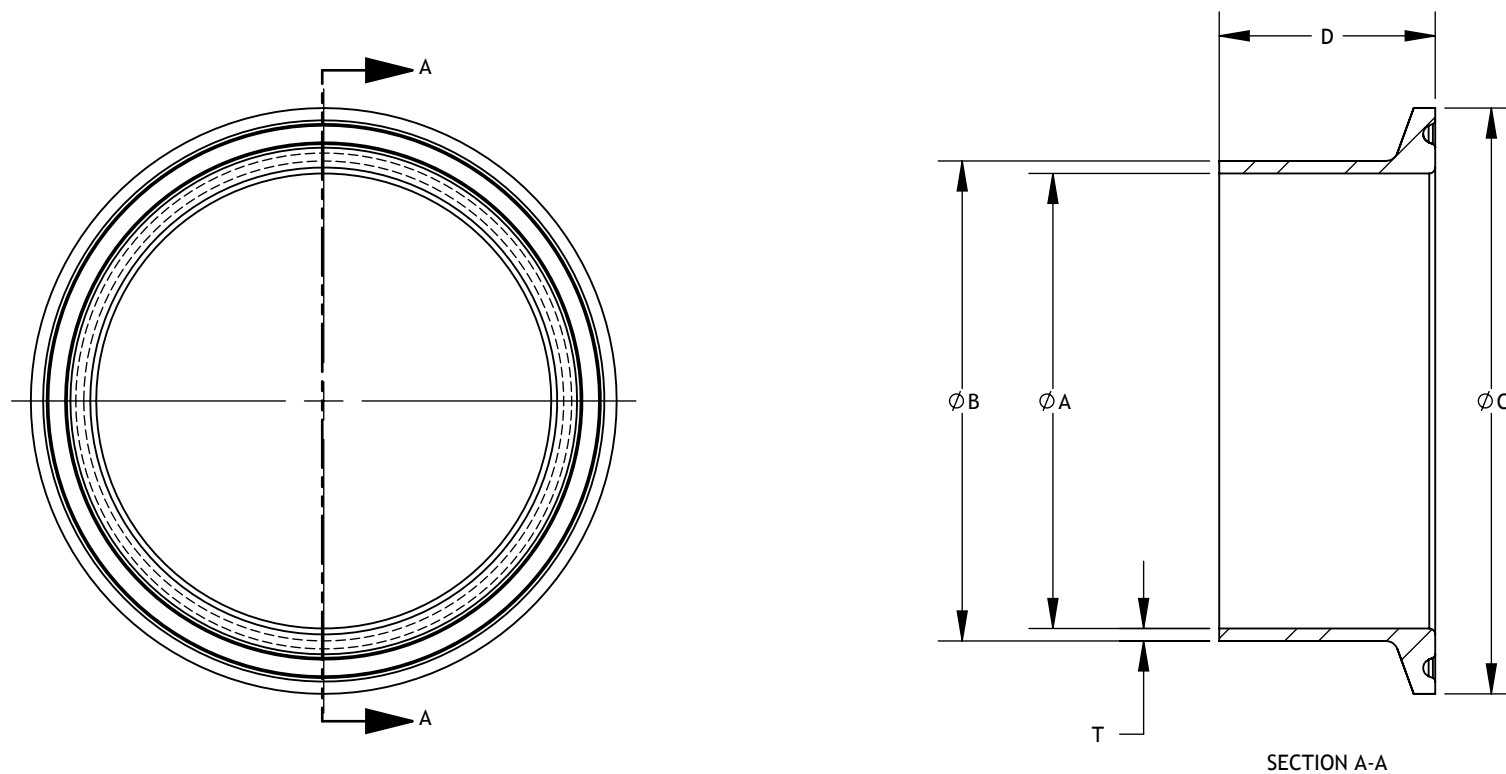


NOTES CONTINUED:

SKU	Part	Material	A		B		C		D		T	
			Inch	mm	Inch	mm	Inch	mm	Inch	mm	Inch	mm
L14AM7 G0100	0710.1417.4010	304	0.87	22.1	1	25.4	1.988	50.5	1.125	28.6	0.065	1.651
L14AM7 G0150	0710.1417.4015	304	1.37	34.8	1.5	38.1	1.988	50.5	1.125	28.6	0.065	1.651
L14AM7 G0200	0710.1417.4020	304	1.87	47.5	2	50.8	2.520	64.0	1.125	28.6	0.065	1.651
L14AM7 G0250	0710.1417.4025	304	2.37	60.2	2.5	63.5	3.051	77.5	1.125	28.6	0.065	1.651
L14AM7 G0300	0710.1417.4030	304	2.87	72.9	3	76.2	3.583	91.0	1.125	28.6	0.065	1.651
L14AM7 G0400	0710.1417.4040	304	3.834	97.4	4	101.6	4.685	119.0	1.125	28.6	0.083	2.108
L14AM7 G0600	0710.1417.4060	304	5.78	146.9	6	152.4	6.575	167.0	1.500	38.1	0.109	2.769
L14AM7 R0100	0710.1417.6010	316L	0.87	22.1	1	25.4	1.988	50.5	1.125	28.6	0.065	1.651
L14AM7 R0150	0710.1417.6015	316L	1.37	34.8	1.5	38.1	1.988	50.5	1.125	28.6	0.065	1.651
L14AM7 R0200	0710.1417.6020	316L	1.87	47.5	2	50.8	2.520	64.0	1.125	28.6	0.065	1.651
L14AM7 R0250	0710.1417.6025	316L	2.37	60.2	2.5	63.5	3.051	77.5	1.125	28.6	0.065	1.651
L14AM7 R0300	0710.1417.6030	316L	2.87	72.9	3	76.2	3.583	91.0	1.125	28.6	0.065	1.651
L14AM7 R0400	0710.1417.6040	316L	3.834	97.4	4	101.6	4.685	119.0	1.125	28.6	0.083	2.108
L14AM7 R0600	0710.1417.6060	316L	5.78	146.9	6	152.4	6.575	167.0	1.500	38.1	0.109	2.769



0710_1417 L14AM7 LONG WELD FERRULE r1.0, PART PDM REV: 1.0

PROPRIETARY AND CONFIDENTIAL
 THE INFORMATION CONTAINED IN THIS DRAWING IS THE SOLE PROPERTY OF CRAFT KETTLE BREWING EQUIPMENT. ANY REPRODUCTION IN PART OR AS A WHOLE WITHOUT THE WRITTEN PERMISSION OF CRAFT KETTLE BREWING EQUIPMENT IS PROHIBITED.

NOTES AND TOLERANCES: (UNLESS OTHERWISE SPECIFIED)
 DIMENSIONS ARE IN MM [INCHES]
 TOLERANCES:
 .X ±
 .XX ±
 ANGULAR ± °

1. INTERPRET DRAWING PER ASME Y14.5-1994.
 2. REMOVE ALL SHARP EDGES.
 3. DO NOT SCALE FROM DRAWING.

MATERIAL: - FINISH: 0.8 µm

CRAFT KETTLE
 BREWING EQUIPMENT

REV.	DATE	DESCRIPTION	ZONE
-	-	-	-

PART NAME: **LONG WELD FERRULE | 3A (L14AM7)**

DESIGNER	D. Brown	2018/03/02	DWG. NO.	REV.
DRAFTER	B. MOORE	07/13/2018	0710.1417	1.0
CHECKER				
APPROVAL				

SIZE: B SCALE: 1:1 PROJECTION: SHEET: 1 OF 15