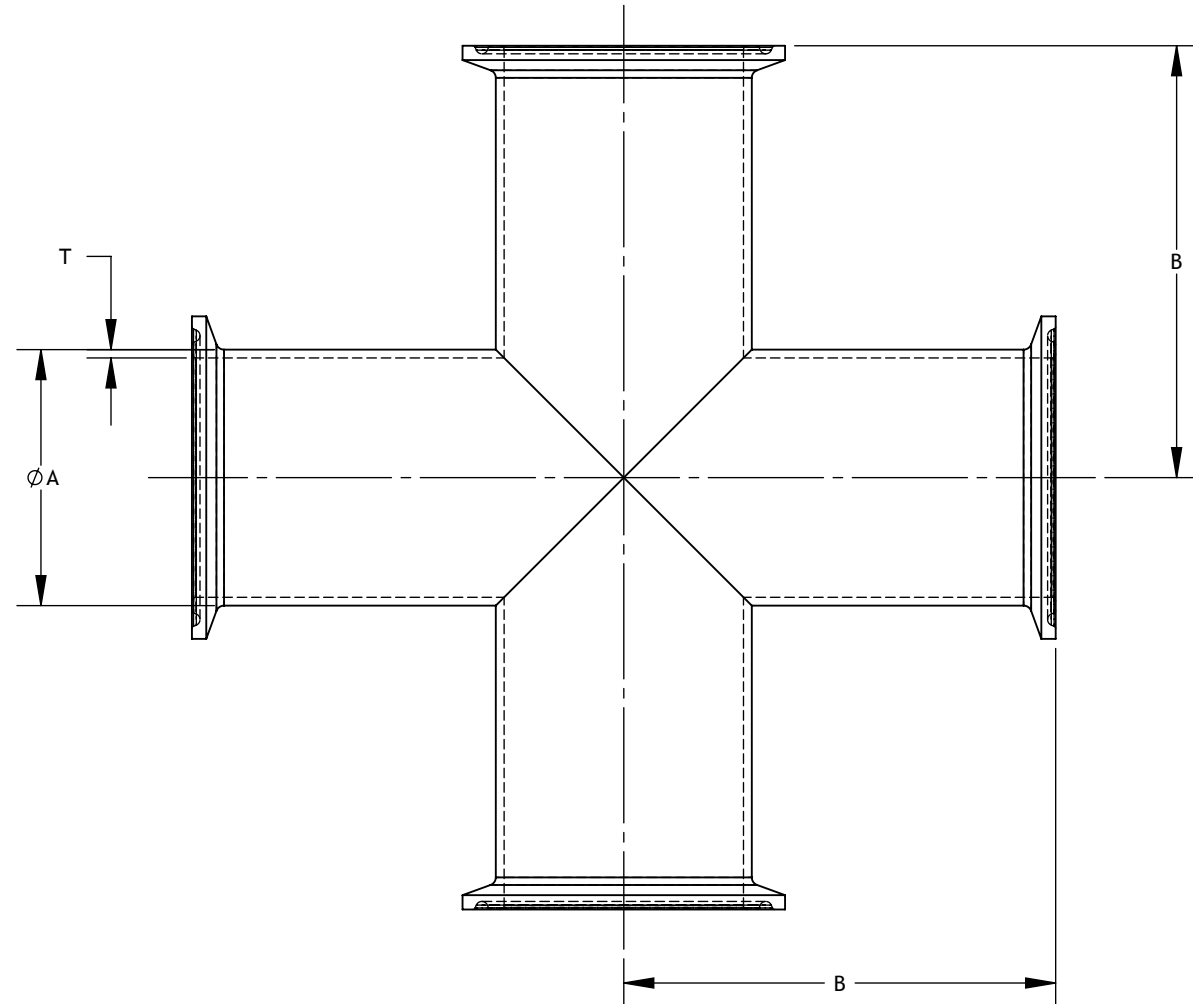


NOTES CONTINUED:



SKU	Part	Material	ØA		B		T	
			Inch	mm	Inch	mm	Inch	mm
B9MP G0100	0710.0914.4010	304	1	25.4	3	66.7	0.065	1.651
B9MP G0150	0710.0914.4015	304	1.5	38.1	2.87	73	0.065	1.651
B9MP G0200	0710.0914.4020	304	2	50.8	3.4	85.7	0.065	1.651
B9MP G0250	0710.0914.4025	304	2.5	63.5	3.63	92.1	0.065	1.651
B9MP G0300	0710.0914.4030	304	3	76.2	4	98.4	0.065	1.651
B9MP G0400	0710.0914.4040	304	4	101.6	4.75	120.7	0.083	2.108
B9MP R0100	0710.0914.6010	316L	1	25.4	3	66.7	0.065	1.651
B9MP R0150	0710.0914.6015	316L	1.5	38.1	2.87	73	0.065	1.651
B9MP R0200	0710.0914.6020	316L	2	50.8	3.4	85.7	0.065	1.651
B9MP R0250	0710.0914.6025	316L	2.5	63.5	3.63	92.1	0.065	1.651
B9MP R0300	0710.0914.6030	316L	3	76.2	4	98.4	0.065	1.651
B9MP R0400	0710.0914.6040	316L	4	101.6	4.75	120.7	0.083	2.108

0710\_0914-B9MP CLAMP EQUAL CROSS, PART PDM REV: 1.0

**PROPRIETARY AND CONFIDENTIAL**  
 THE INFORMATION CONTAINED IN THIS DRAWING IS THE SOLE PROPERTY OF CRAFT KETTLE BREWING EQUIPMENT. ANY REPRODUCTION IN PART OR AS A WHOLE WITHOUT THE WRITTEN PERMISSION OF CRAFT KETTLE BREWING EQUIPMENT IS PROHIBITED.

**NOTES AND TOLERANCES: (UNLESS OTHERWISE SPECIFIED)**  
 DIMENSIONS ARE IN MM [INCHES]  
 TOLERANCES:  
 .X ±  
 .XX ±  
 ANGULAR ± °

1. INTERPRET DRAWING PER ASME Y14.5-1994.  
 2. REMOVE ALL SHARP EDGES.  
 3. DO NOT SCALE FROM DRAWING.



MATERIAL: - FINISH: 0.8 µm NEXT ASSY

REV.	DATE	DESCRIPTION	ZONE
-	-	-	-

PART NAME: **CLAMP EQUAL CROSS | 3A (B9MP)**

DESIGNER	B. MOORE	08/03/2018	DWG. NO.	0710.0914	REV.	1.0
DRAFTER	B. MOORE	08/02/2018				
CHECKER						
APPROVAL						

SIZE: B SCALE: 2:3 PROJECTION: SHEET: 1 OF 13