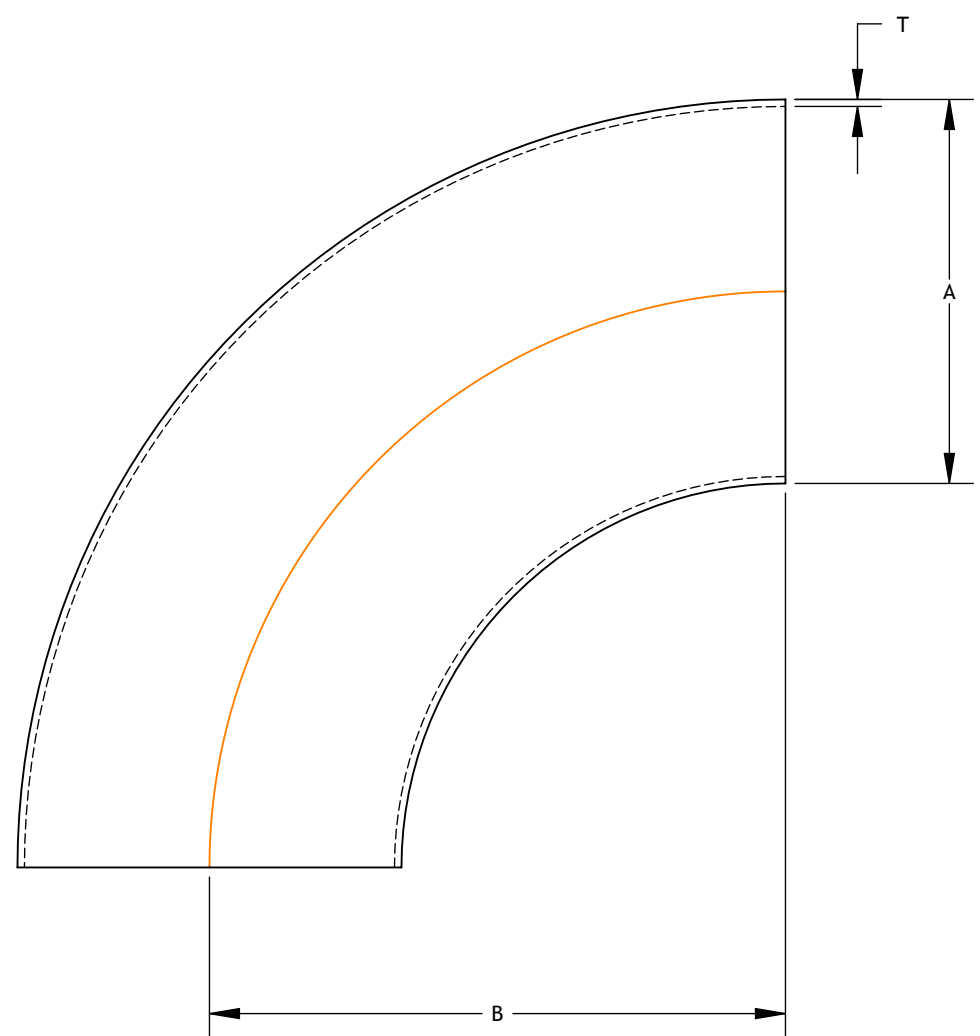
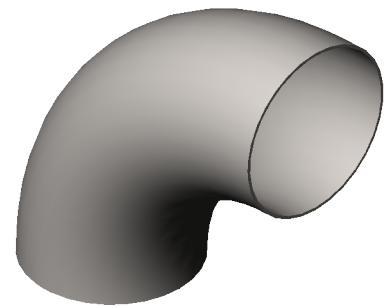


NOTES CONTINUED:



SKU	Part	Material	A		B		T	
			Inch	mm	Inch	mm	Inch	mm
2WCL G0050	0710.0250.4005	304	0.5	12.7	1.125	28.6	0.065	1.65
2WCL G0075	0710.0250.4007	304	0.75	19.1	1.125	28.6	0.065	1.65
2WCL G0100	0710.0250.4010	304	1	25.4	1.5	38.1	0.065	1.65
2WCL G0150	0710.0250.4015	304	1.5	38.1	2.25	57.2	0.065	1.65
2WCL G0200	0710.0250.4020	304	2	50.8	3	76.2	0.065	1.65
2WCL G0250	0710.0250.4025	304	2.5	63.5	3.75	95.3	0.065	1.65
2WCL G0300	0710.0250.4030	304	3	76.2	4.5	114.3	0.065	1.65
2WCL G0400	0710.0250.4040	304	4	101.6	6	152.4	0.083	2.11
2WCL G0600	0710.0250.4060	304	6	152.4	9	228.6	0.109	2.77
2WCL G0800	0710.0250.4080	304	8	203.2	12	304.8	0.120	3.05
2WCL R0050	0710.0250.6005	316L	0.5	12.7	1.125	28.6	0.065	1.65
2WCL R0075	0710.0250.6007	316L	0.75	19.1	1.125	28.6	0.065	1.65
2WCL R0100	0710.0250.6010	316L	1	25.4	1.5	38.1	0.065	1.65
2WCL R0150	0710.0250.6015	316L	1.5	38.1	2.25	57.2	0.065	1.65
2WCL R0200	0710.0250.6020	316L	2	50.8	3	76.2	0.065	1.65
2WCL R0250	0710.0250.6025	316L	2.5	63.5	3.75	95.3	0.065	1.65
2WCL R0300	0710.0250.6030	316L	3	76.2	4.5	114.3	0.065	1.65
2WCL R0400	0710.0250.6040	316L	4	101.6	6	152.4	0.083	2.11
2WCL R0600	0710.0250.6060	316L	6	152.4	9	228.6	0.109	2.77
2WCL R0800	0710.0250.6080	316L	8	203.2	12	304.8	0.120	3.05

0710\_0250 2WCL 90 DEGREE WELD ELBOW NO TANGENT, PART PDM REV: 1.0

**PROPRIETARY AND CONFIDENTIAL**  
 THE INFORMATION CONTAINED IN THIS DRAWING IS THE SOLE PROPERTY OF CRAFT KETTLE BREWING EQUIPMENT. ANY REPRODUCTION IN PART OR AS A WHOLE WITHOUT THE WRITTEN PERMISSION OF CRAFT KETTLE BREWING EQUIPMENT IS PROHIBITED.

**NOTES AND TOLERANCES: (UNLESS OTHERWISE SPECIFIED)**  
 DIMENSIONS ARE IN MM [INCHES]  
 TOLERANCES:  
 .X ±  
 .XX ±  
 ANGULAR ± °

1. INTERPRET DRAWING PER ASME Y14.5-1994.  
 2. REMOVE ALL SHARP EDGES.  
 3. DO NOT SCALE FROM DRAWING.



REV.	DATE	DESCRIPTION	ZONE
-	-	-	-

**PART NAME**  
**90 DEG. SHORT WELD ELBOW | 3A (2WCL)**

DESIGNER	B. MOORE	07/12/2018	DWG. NO.	REV.
DRAFTER	B. MOORE	07/12/2018	0710.0250	1.0
CHECKER				
APPROVAL				

SIZE: B SCALE: 1:3 PROJECTION: SHEET: 1 OF 21