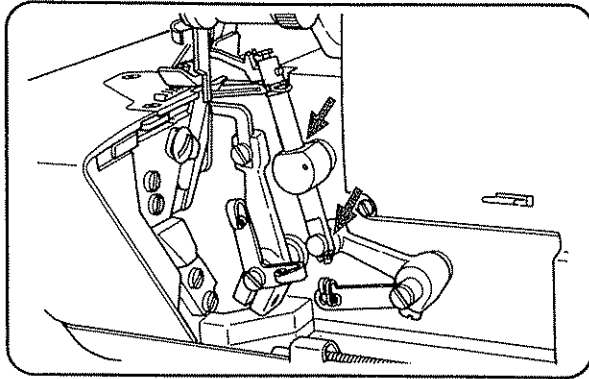


Lubrication · Replacing the bulb

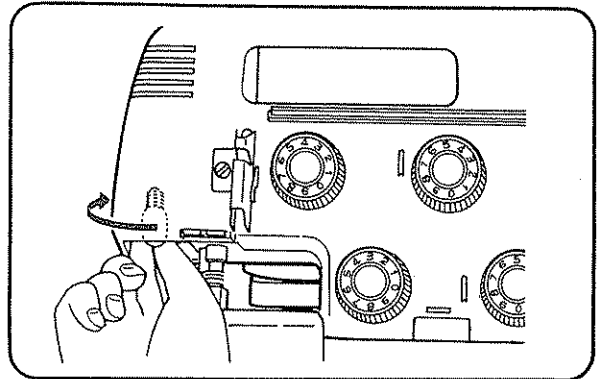
• Lubricating the machine



This machine requires less lubrication since its major components are made of special material. However, the machine will operate smoothly for a long time if you lubricate the points shown above.

- Apply one or two drops of oil for each lubrication.

• Replacing the bulb



If the bulb has burnt out, a new bulb can be purchased at your local dealer.

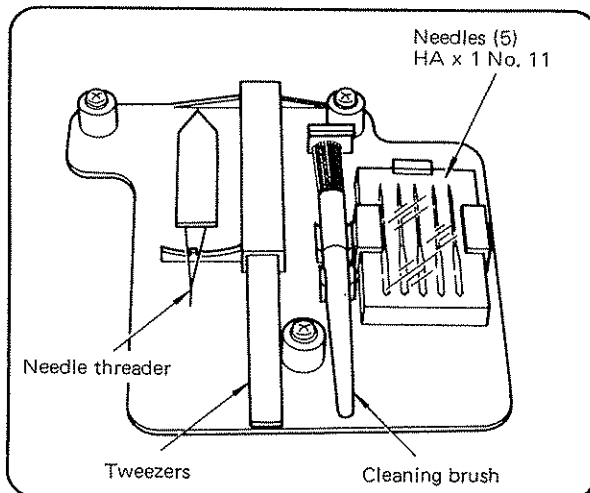
- The consumption power of the lamp is 15 watt.
- **CAUTION:** Make sure the power/lamp switch is off before replacing the bulb.

Specification of package & accessories

• Specification of package

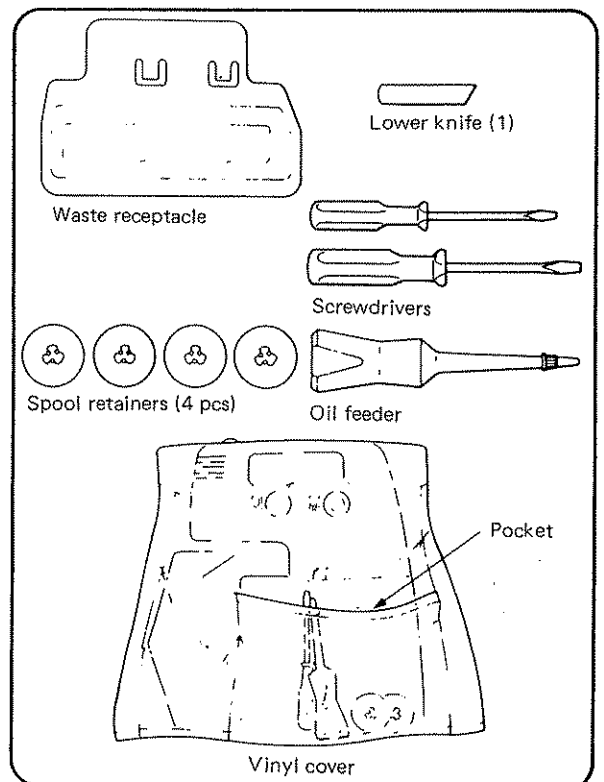
1. Sewing machine (with motor) _____ 1 set
 2. Foot control _____ 1 set
 3. Instruction manual _____ One
 4. Inspection certificate _____ One
 5. Accessories and case _____ 1 set
- (See the specification of the accessories and the accessories in the looper cover.)

• Accessories kept in the looper cover.



Needle 130/705H No. 80 can also be used for this machine as well as needle HA x 1 No. 11.

• Specification of the accessories

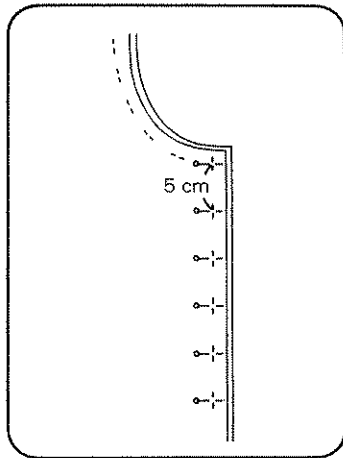


- It is advisable to keep the lower knife, screwdriver, spool retainer and oil feeder in the pocket of the cover.

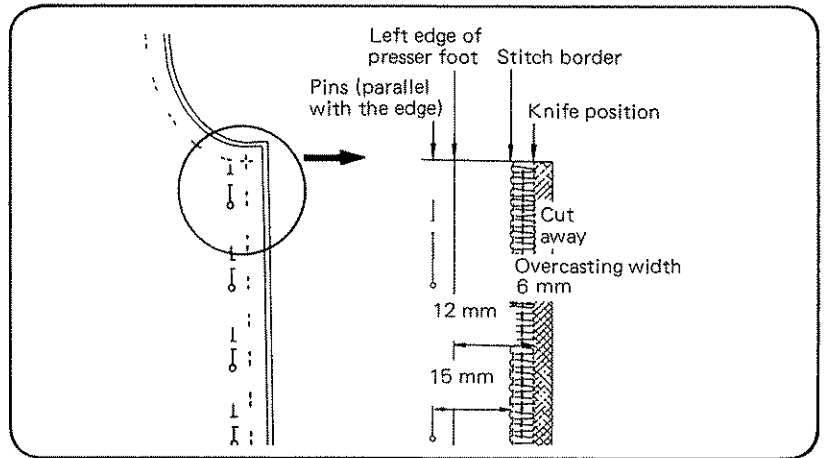
How to sew

● Making a stitched and overcast seam

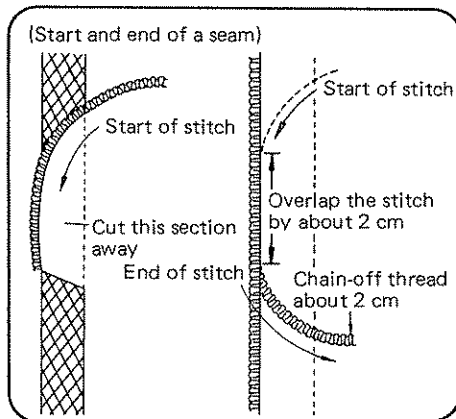
Since your machine has a knife to cut the edge of the fabric, you cannot sew with pins inserted as you can do with a normal domestic zigzag machine. The best way is to baste the seam before you sew. Alternatively, you can save time by inserting the pins parallel with the edge and then stitch two or more pieces of fabric together without having to remove the pins.



① Method for household sewing machines.



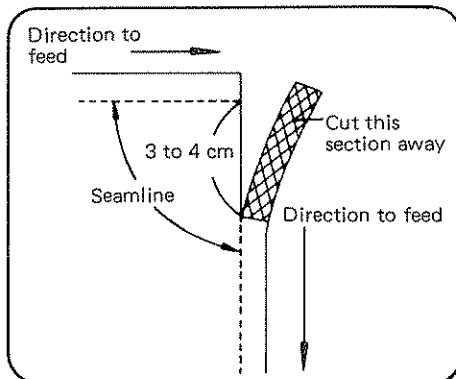
② For overlocking, insert the pins parallel to and about 1.5 ~ 2 cm in from the edge of the fabric, thereby taking into account the width of the presser foot.



● Overcasting the hem of a skirt

Overcast the hem edge, keeping the depth of the hem even. When overcasting the hem on a garment which is shaped, it is necessary to first work a line of straight stitches with a normal sewing machine to ease in the fullness evenly round the hem.

To overcast, place the fabric at an angle under the presser foot and sew into the hem edge position in a curved line. At the end of the sewing, overlap the beginning stitches by approx. 2 cm and stitch off the fabric to leave a chain of threads of about 2 cm. This chain-off thread at the end of the sewing prevents the stitch from coming undone. Slip these ends into the hem when sewing the hem into position.



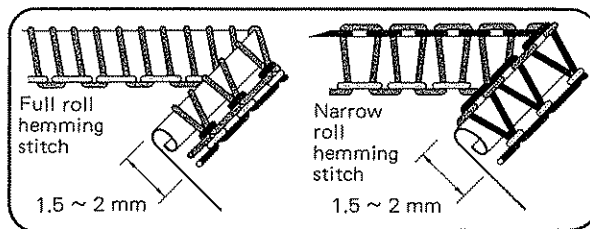
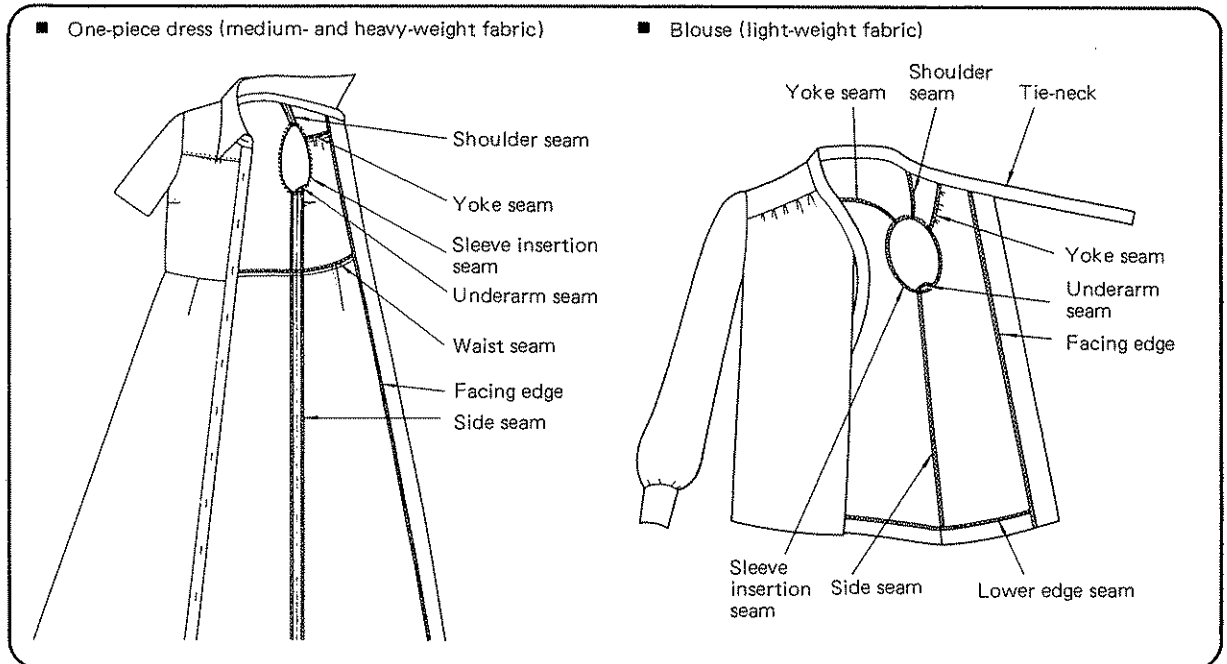
● Overcasting a corner

Because there is a certain distance between the knife and the needle, you should cut away a small piece of the seam allowance at the beginning as illustrated so that the fabric can reach the needle.

- ① When you have finished sewing along one edge, lift the presser foot, pull the work out to the back of the foot, taking care not to break the threads.
- ② Turn the work, lower the presser foot and sew evenly along the next edge.

Applications • Roll hemming attachment (Available separately)

- **Application** – This machine is suitable for sewing the following:



- **Roll hemming attachment** (Available separately)

By using the roll hemming throat plate and presser foot and roll hemming thread tensioner, you can make narrow and full roll hemming stitches for rolled hems on articles such as scarves and handkerchieves.

- For details of how to use the roll hemming attachment, see the manual provided with it.
- The attachment can be purchased from your local BERNETTE dealer.

• Specification table of MO-234

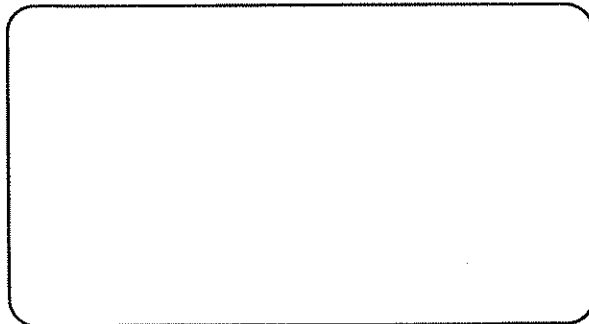
Description	Specification
Number of threads	4 or 3
Needles	130/705H No. 80 or HA x 1 No. 11
Overedge width	4-thread 6 mm 3-thread Left needle 6 mm Right needle 4 mm
Stitch length	1 ~ 5 mm (Standard feed amount: 2.5 mm)
Lift of presser foot	5 mm
Sewing speed	Up to 1500 s.p.m.
Size	300 (W) x 265 (D) x 280 (H) mm
Weight	7.2 kg

● **Before calling for service**

The following problems are not caused by your machine. Check them again in accordance with the table below before calling for service.

Problem	Cause (Reason)	Corrective action	Page
Fabrics are not fed	① The presser foot pressure is not high enough.	Turn the presser foot pressure adjustment screw clockwise to increase the presser foot pressure.	10
Needle breakage	① The needle is bent or the needle point is blunt.	Replace with a new needle.	10
	② The needle has been improperly attached to the needle bar.	Attach the needle correctly to the needle bar.	10
	③ You have forcibly pulled the fabric.	Lightly put your hand on the edges of the fabrics while you are sewing.	
Thread breakage	① Threading is wrong.	Thread the machine correctly.	3, 4
	② Thread tension is too high.	Decrease the thread tension.	7
	③ The needle has been improperly attached to the needle bar.	Attach the needle correctly to the needle bar.	10
Stitches are skipped.	① The needle is bent or the point is blunt.	Replace with a new needle.	10
	② The needle has been attached improperly to the needle bar.	Attach the needle correctly to the needle bar.	10
	③ The machine has been improperly threaded.	Thread the machine correctly.	3, 4
Stitch tension is bad.	① Thread tension is not correct.	Correct the thread tension.	7
Workpieces are puckered.	① The needle thread tension is too high.	Set the needle thread tension dial to a smaller number.	7
	② The machine has been improperly threaded, or a thread has been caught at some unnecessary point.	Re-thread the machine correctly.	3, 4
Troubles with motor.	① The motor produces noises.	} Replace the carbon brushes. Ask your dealer to replace the carbon brushes.	
	② The motor will not run at all.		
	③ Unusually large sparks are produced.		

If the above corrective actions do not solve your problem, contact your dealer.



Fritz Gegauf Ltd.
Bernina Sewing Machines
CH-8266 Steckborn/Switzerland

Nr. 501 000 03
© Copyright Fritz Gegauf Ltd.
86/08