

# Aria

## Sewing and Quilting Machine

Set the stage for quilting success! The Baby Lock Aria is packed with features powered by IQ™ Technology for a hassle-free quilting experience. Want to tackle thicker quilts? Aria makes short work of even the thickest, most difficult fabric out there.



NeverMiss™  
Automatic  
Needle Threader



Hands-free  
Sewing



573 Built-In  
Stitches



LCD  
Touchscreen



11.25"  
Creative Space



# Packed With Features That Really Sing!

---



## **IQ™ Technology**

Baby Lock machines come with features that make sewing easy no matter what you want to create. These innovative features powered by Baby Lock IQ™ Technology, work with the “brain” of your machine to achieve the results you desire. Taking your creative journey with IQ Technology makes it easy to bring your vision to life.



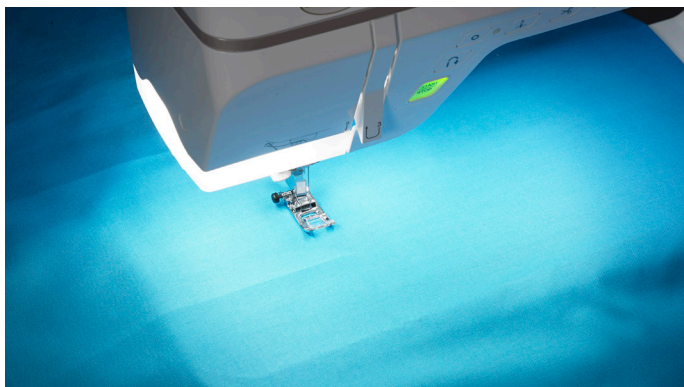
## **Digital Dual-Feed System**

Fabric always feeds evenly when you use the Digital Dual-Feed System. Whether stitching on difficult fabric or multiple layers, the Digital Dual-Feed System will keep your fabric feeding consistently.



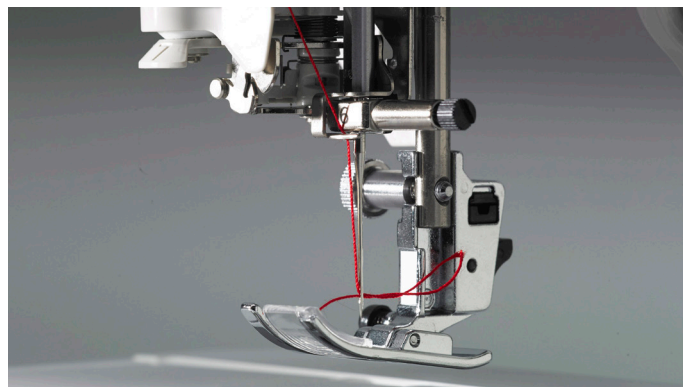
## **Color LCD Touchscreen**

Clearly see the details of every stitch. This large color LCD touchscreen measures 7” diagonally and shows up to 260,000 colors. You’ll get a bold, vivid display of your chosen stitches, machine settings and more.



### Enhanced Stadium Lighting

Illuminate your fabric with 10 inches around the needle. You'll see every detail of your project. Plus, the bright LED lights last longer so you won't worry about changing light bulbs.



### NeverMiss™ Automatic Needle Threader

The NeverMiss Automatic Needle Threader does exactly what it promises. It's never been this fast or easy — the Aria threads your needle with little more than the push of a button.



### Larger Throat Space

Comfortably quilt with the Aria's large throat space. 11.25" to the right of the needle leaves room for thick projects and bigger quilts.



### Push-Button Features

Convenient push-button features give you more freedom to focus on your project. Raise and lower the needle or presser foot, cut threads, reinforce stitches and thread your needle with the push of a button.



### Quick-Set, Drop-in Bobbin

With a drop-in bobbin, getting ready to sew is easy. When you need a new bobbin, simply drop it in and go. The Aria will put the thread right where you need it.



### 573 Built-In Stitches

With 573 built-in stitches, you'll have many creative options. From numerous utility stitches to decorative ones, you'll find something for every project.

# Included Accessories



## Included Accessories

- Touch pen (stylus)
- USB cable
- Knee lift
- 13 Feet
  - o Digital Dual-Feed System Foot
  - o 1/4" Quilting foot with a guide
  - o Buttonhole
  - o Overcasting
  - o Monogramming
  - o Zipper
  - o Zigzag
  - o Blind stitch
  - o Button fitting
  - o Free-motion quilting
  - o Free-motion open toe quilting
  - o Free-motion echo quilting
  - o Straight stitch foot
- Specialty bobbin case for bobbin work
- Cord guide bobbin cover
- Straight stitch needle plate
- Soft cover for machine
- Bobbins
- Seam ripper
- Twin needle
- Aria Inspiration Guide
- 60-Day Love of Knowledge Trial

# Optional Accessories



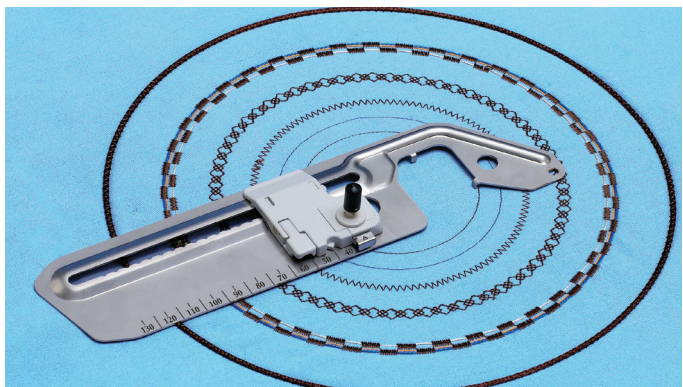
## Quilting Extension Table

Expand your workspace with the quilting extension table. It securely fits on your Baby Lock Aria so you maintain a smooth quilting surface.



## Multi-Function Foot Control

Give your hands more free time with the Multi-Function Foot Control. Start and stop your sewing with the main foot control and perform two convenient functions with the heel tap feature and side pedal. Choose two of these four control options: thread cutting, needle up/down, single stitch and reverse stitch.



## Circular Sewing Attachment

This creative machine accessory allows sewers to stitch in a circular pattern using any forward-feeding utility or decorative stitch. Create corded frames with the included Baby Lock Braiding Foot and 3-hole Cording Foot.

# Features and Specifications of the Aria

## Technology Features

- LCD Color Touchscreen with touch pen
  - Shows 260,000 colors
  - Measures 7" diagonally
  - Clock and Date
- Enhanced Stadium Lighting for brighter true color LED lighting of 10" around the needle
- Digital Dual-Feed System ensures utmost fabric control when feeding layers or difficult fabric types

## Key Quilting and Sewing Features

- 573 Built-in stitches including
  - 137 Utility with 14 one-step buttonhole styles
  - 283 Decorative
  - 20 Satin
  - 61 Decorative satin
  - 14 Cross
  - 58 Combinable Utility stitches
- 5 Built-in alphabets
- Maximum utility stitch width: 7mm
- Stitch length 0.0mm - 5.0mm
- Digital Dual-Feed System ensures all layers feed evenly
- NeverMiss™ needle threader
- Automatic thread cutter
- Independent bobbin winder motor and Quick-Set, top-loading bobbin
- Advanced Pivoting Feature
- Automatic Fabric Sensor System adjusts presser foot pressure and tension to deliver perfect stitch
- Ergonomic hands-free presser foot lift with extra high setting 10mm automatic and 13mm manual
- 11.25" Workspace to the right of the needle
- Sewing speed up to 1,050 spm
- Automatic drop feed

## Convenient Machine Features

- Convenient one-touch buttons for
  - Start/Stop
  - Reverse sewing
  - Reinforcement stitch
  - Needle up/down
  - Thread cutter
  - Automatic presser foot lift
  - Auto threading
- Quick-Set bobbin winder
- Needle plate with scale in inches and centimeters
- Additional seam markings on bobbin cover for needle position preference
- Free arm
- Two accessory storage compartments

## Advanced Machine Features

- 2 USB drives: 1 (Type A) drive 2.0, connects with a mouse and flash drives and 1 (Type B) USB direct connect to a PC
- Utility stitch editing capabilities
- Store personal stitch settings for each Utility stitch on machine
- Decorative stitch editing capabilities
- Back to the Beginning key, returns to the beginning of a decorative stitch pattern
- Edit and combine Character/Decorative stitches
- 24 Memory Pockets for Character/Decorative stitches equaling 511 KB
- Store additional stitch combinations on your PC using the 2 USB ports
- Mirror-image capability for stitches
- Lock key for stitches keeps current settings
- Variable needle positions
- Programmable needle up/down
- Upper and lower thread sensors to alert when threads are broken
- Lateral and diagonal feeding
- Fully automatic built-in darning
- Twin needle settings

## Additional Information

- Language conversion capabilities (13 languages)
- Warranty (25-year limited, 10-year parts, 5-year computer circuit, 5-year electrical, 1-year labor)
- Optional Gold Standard Comprehensive Care Program
- 60 Day Love of Knowledge Trial

## Instructional and Help Resources

- Built-in Help Messages
- Built-in Operational Guide
- Built-in Sewing Application Guide

## Optional Accessories

- Quilting Extension Table (BLMA-ET)
- 17 Piece Foot Kit (BLMAFTKIT)
- Multi-Function Foot Control (BLMA-MFC)
- 2 Spool Thread Stand (BLMA-ST5)
- Quilting 6 Foot Kit (BLQ-FEET)
- Creative 6 Foot Kit (BLC-FEET)
- 12 Foot Kit (BL-FEET12)
- Ruler Foot (BL-HOTRF)
- Ruler Kits (BLRK-HSLA, BLRK2-HSLA, BLRK3-HSLA)
- Rope Template (BLRT-HSLA)
- ¼" Quilting Sole for Digital Dual Feed Foot (BLDY-QFDF)
- Quilting Bar and Adapter for Digital Dual-Feed Foot (BLDY-QGDF)
- Left Quilting Bar and Adapter for Digital Dual-Feed Foot (BLDY-LQGDF)
- Open Toe Sole for Digital Dual-Feed Foot (BLDY-OTDF)
- Stitch-in-the Ditch Sole for Digital Dual-Feed Foot (BLDY-SDDF)
- ¼" Quilting Foot with Guide (BLSO-QGF)
- Circular Sewing Attachment (BL-CSA)
- Edge Joining Foot (ESG-EJF)
- Bobbins (BLG-BOB)