



b62
AIRLOCK



User Manual

bernette

SWISS DESIGN

Table of Contents

1	IMPORTANT SAFETY INSTRUCTIONS	5		
	Important information	8		
2	My bernette	10		
2.1	Machine overview	10		
	Front view	10		
	Overview - Needle area	11		
	Overview Presser Foot	12		
	Overview - Looper area	13		
	Overview Threading area	14		
	Overview - Side panel	15		
	Symbols on the machine	16		
2.2	Overview - standard accessories	17		
	Included accessories	17		
	Accessories behind the Threader Cover	18		
	Accessories Box	18		
3	Setting up the machine	20		
3.1	Working area	20		
3.2	Connection and Switching on	20		
	Connecting the machine and foot control	20		
	Switching the machine and sewing light on/off	20		
3.3	Foot control	21		
	Press the foot control	21		
3.4	Handwheel	21		
3.5	Machine covers	21		
	Threader Cover	22		
	Coverstitch insert	22		
	Removing/attaching the Coverstitch Insert for Slide-on Table	23		
3.6	Thread stand	23		
	Attaching the Thread Stand	23		
	Preparing the Thread Guide	24		
	Attaching the spool stabilizer	24		
	Place the spool disc	25		
	Using the spool net	25		
3.7	Presser foot	25		
	Positioning the presser foot up/down	25		
	Lifting the presser foot up/down with the knee lifter	26		
	Changing the presser foot	26		
3.8	Needle area	27		
	Needle holder	27		
	Changing the needle	28		
	Threading the needle manually	29		
3.9	Sewing Assistance	30		
	Using the thread cutter	30		
	Needle Pad	30		
	Attaching/removing the knee lifter	31		
	Attaching/removing the freearm cover	31		
	Attaching/removing the slide-on table	31		
	Attaching the Decorative Threads Guide	32		
4	Sewing start	33		
4.1	Check before starting to sew	33		
4.2	Selecting the fabric	33		
4.3	Selecting the thread	33		
	Needle Thread	34		
	Looper Thread	34		
4.4	Selecting the needle	35		
	Detect defective needles	36		
	Needle Overview	36		
5	Stitch	37		
5.1	Stitch type	37		
	Coverstitch	37		
	Chainstitch	38		
5.2	Stitch Chart	39		
6	Machine settings	40		
6.1	Setting the Presser Foot Pressure	40		
6.2	Adjusting the thread tension	40		
6.3	Adjusting the Differential Feed	41		
	Default value "1"	42		
	Gathering "1.5 – 2"	42		
	Stretching "0.6"	43		
6.4	Setting the Stitch Length	43		
7	Threading	44		
7.1	Threading preparation	44		
7.2	Threading the Looper Thread	45		
	Threading the Chain Lopper Thread CL/purple	46		
	Threading the Looper Thread with an auxiliary thread	48		
	Using the Threading Wire	48		
7.3	Threading the needle thread	49		
	Threading the left Coverstitch Needle Thread left LC/ yellow	49		

Table of Contents

Threading the center Coverstitch Needle Thread center CC/green	50
Threading the right Coverstitch Needle Thread RC/blue	51
7.4 Thread change	52
Knotting thick thread	52
Changing the needle thread	52
Changing the looper thread	53
8 Sewing test	54
8.1 Performing a sewing test for an coverstitch	54
8.2 Performing a sewing test for an chainstitch	54
8.3 Optimizing stitches	54
4-/3-Thread Coverstitch	55
9 Practical Coverstitching	56
9.1 Securing the stitch	56
Securing cover- and chainstitches at the start of the seam	56
Securing Cover- and Chainstitches at the start of the seam	56
9.2 Undoing a stitch	57
Undoing Coverstitches	57
Undoing Chainstitches	57
9.3 Sewing a hem	57
9.4 Binding a seam	58
9.5 Topstitching seams	58
9.6 Joining seams	58
9.7 Gathering a seam	59
10 Appendix	60
10.1 Storing and transporting the machine	60
Storing the machine	60
Transporting the machine	60
10.2 Maintenance and cleaning the machine	60
Cleaning the machine	60
Cleaning the Looper Area	61
Cleaning the air threader pipes	62
Cleaning the suction feet	62
Oiling the machine	62
10.3 Troubleshooting	63
10.4 Specifications	64

IMPORTANT SAFETY INSTRUCTIONS

Please be aware of the following basic safety instructions when using your machine. Before using this machine, read instruction manual carefully.

DANGER

To protect against electric shock, the following instructions must be observed.

- Never leave the machine unattended when it is connected to the power supply.
- Immediately after use and before cleaning, switch off the machine and disconnect the power cable from the outlet.

In order to protect against injury, the following instructions must be adhered to.

- Do not look directly into the LED lamp with optical instruments (e. g. magnifying glass).
- If the LED lamp is damaged or defective, have the LED lamp checked or repaired at your local authorized bernette dealer.
- Switch off the machine before working in the needle area.
- Before starting the machine, attach all protection guards and close the covers.

WARNING

To reduce the risk of burns, fire, electric shock or injury to persons, the following instructions must be observed.

General facts

- This machine may only be used for the purpose described in this instruction manual.

Working environment

- Do not use the machine outdoors.
- Only use the machine in dry rooms.
- Do not use the machine in a humid area.
- Do not use the machine in rooms where aerosol products (sprays) are being used.
- Do not use the machine in rooms where oxygen is dispensed.

Technical condition

- Never use the machine when it is damp.
- Do not use the machine if it is not working properly.
- Do not use the machine if a cable or the plug is damaged.
- Do not use the machine if it has been dropped, damaged or has fallen into water.
- If the machine is damaged or does not work properly, have the machine checked or repaired by your local authorized bernette dealer.
- Keep all ventilation openings of the machine and the foot control free of lint, dust and loose cloth.
- Do not use the machine if the ventilation openings are blocked.

Accessories and Supplies

- Only use the accessories recommended by the manufacturer.
- Always use the original bernette Stitch Plate.
An incorrect stitch plate can result in needle breakage.
- Use only straight needles of good quality.
Bent or damaged needles can cause needle breakage.
- This machine is double-insulated (except for USA, Canada and Japan).
Use only identical replacement parts. See instructions for servicing of double-insulated products.
- To lubricate the machine, only use the supplied overlocker oil.

Safety instructions

- While operating the machine, all protective inserts must be in place and all covers must be closed.

Appropriate use

- The machine may be used, cleaned and maintained by children older than eight or by people with reduced physical, sensory or mental capabilities or if there is a lack of experience and knowledge as long as they have been given instructions.
- Furthermore, these persons must be supervised while working with the machine, and/or they must know the safe operation of the machine and be aware of the resulting hazards.
- Children are not allowed to play with this machine.
- Special care should be taken when the machine is operated by or in the presence of children.
- Only use the machine with the supplied power cable.

- USA and Canada only: Do not connect power plug NEMA 1-15 to circuits exceeding 150 volt-to-ground.
- Only use this machine with the supplied foot control of type 4C-316/-326/-345.
- Never insert any objects into any openings of the machine.
- Do not place any objects on the foot control.
- While sewing, guide the fabric gently.
Pulling and pushing the fabric can cause needle breakage.
- Keep fingers away from all moving parts.
- Special care is required in the area of the Needle and the Looper.
- For activities in the needle area - such as threading the needle, changing the needle, threading the looper or changing the presser foot - switch off the machine.
- To switch off, set the power switch to «0».
- When protective covers are removed, when the machine is oiled or when other cleaning and maintenance operations mentioned in this instruction manual are carried out, switch off the machine and disconnect the power plug from the outlet.
- Pull the plug out of the outlet by pulling on the plug. Do not pull on the cable.

Important information

Availability of the instruction manual

The short manual is part of the machine.

- Keep the short manual of the machine in a suitable place near the machine and have it ready for reference.
- The latest version of the detailed instruction manual can be downloaded at www.bernette.com.
- When passing on the machine to a third party, enclose the short manual of the machine.

Proper use

Your bernette machine is conceived and designed for private household use. It answers the purpose for overlocking fabrics as it is described in this instruction manual. Any other use is not considered proper. BERNINA assumes no liability for consequences resulting from improper use.

Equipment and scope of delivery

Example images are used in these operating instructions for the purposes of illustration. The machines shown in the images and the accessories shown therefore do not always match the actual items included with your machine. The supplied accessory can vary depending on the country of delivery. You can acquire any accessories mentioned or shown that are not included in the scope of delivery as optional accessories from a specialist bernette dealer. Further accessories can be found at www.bernette.com.

For technical reasons and in order to improve the product, changes may be made to the equipment of the machine and the scope of delivery at any time and without prior notice.

Maintenance of double-insulated products

In a double-insulated product, two systems of insulation are provided instead of grounding. No grounding means is provided on a double-insulated product nor should a means for grounding be added to the product. Servicing a double-insulated product requires extreme care and knowledge of the system and should only be done by qualified service personnel. Only original spare parts should be used for service and repairs. A double-insulated product is marked with the words: «Double-Insulation »or «double-insulated».



The symbol may also be marked on the product.

Environmental Protection

BERNINA is committed to the protection of the environment. We strive to minimize the environmental impact of our products by continuously improving product design and our technology of manufacturing.



The machine is labeled with the symbol of the crossed-out wastebin. This means that the machine should not be disposed of in household waste when it is no longer needed. Improper disposal can result in dangerous substances getting into the groundwater and thus into our food chain, damaging our health.

The machine must be returned free of charge to a nearby collection point for waste electrical and electronic equipment or to a collection point for the reuse of the machine. Information on the collection points can be obtained from your local administration. When purchasing a new machine, the dealer is obliged to take back the old machine free of charge and dispose of it properly.

If the machine contains personal data, you are responsible for deleting the data yourself before returning the machine.

Explanation of symbols



DANGER

Designates a danger with a high risk which can lead to serious injuries or even death unless it is avoided.



WARNING

Designates a medium-risk hazard which can lead to serious injuries if not avoided.



CAUTION

Designates a low-risk hazard which can lead to minor or moderate injuries if not avoided.

NOTICE

Designates a hazard which can lead to material damage if not avoided.



You will find **tips** from bernette **sewing experts** next to this symbol.

2 My bernette

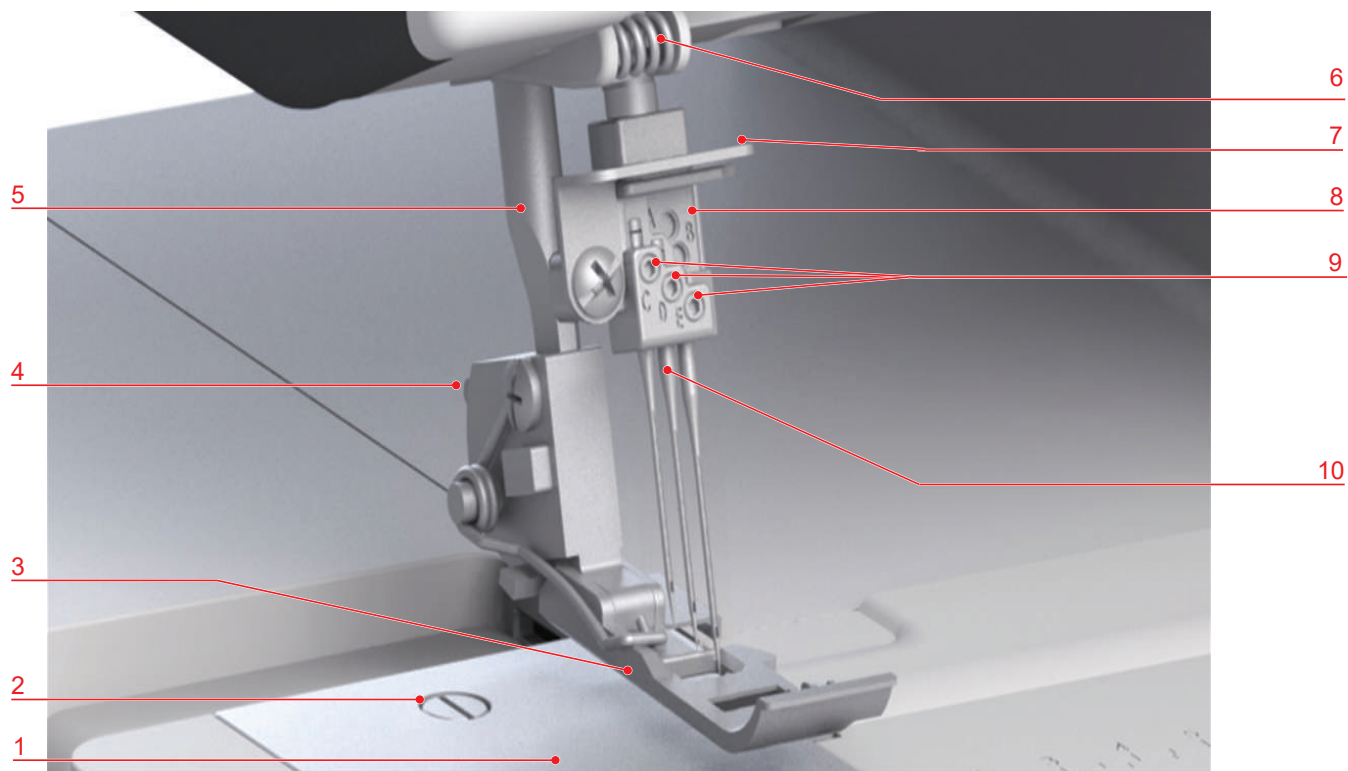
2.1 Machine overview

Front view



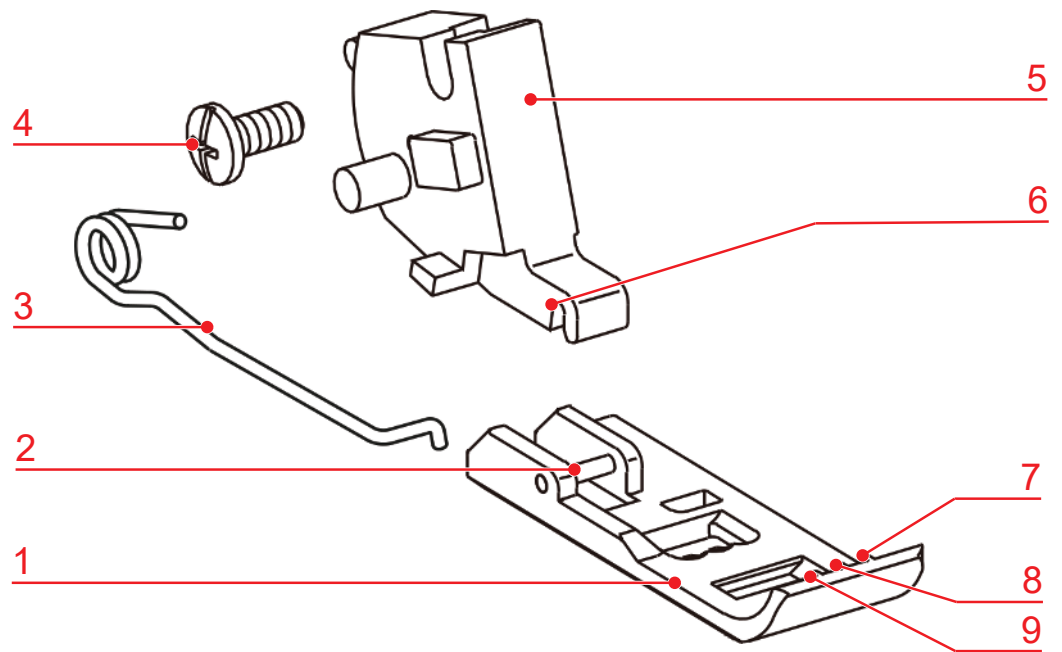
- | | | | |
|---|-----------------------------------|----|---------------------------|
| 1 | Freearm Cover | 8 | Thread Tension Adjustment |
| 2 | Guide Rail | 9 | Thread Deflection Finger |
| 3 | Freearm | 10 | Thread Guiding Plate |
| 4 | Sewing Light | 11 | Coverstitch Insert |
| 5 | Thread Cutter | 12 | Threader Cover |
| 6 | Presser Foot Pressure Wheel | 13 | Suction feet |
| 7 | Needle Thread Take-up Lever Cover | | |

Overview - Needle area



- | | | | |
|---|-----------------------------------|----|-----------------------------------|
| 1 | Stitch Plate | 6 | Thread Guide on the Headframe |
| 2 | Stitch Plate Screw | 7 | Thread Guide on the Needle Holder |
| 3 | Standard Coverstitch Presser Foot | 8 | Needle Clamp |
| 4 | Presser Foot Release Button | 9 | Needle Screws |
| 5 | Presser Foot Bar | 10 | Needles |

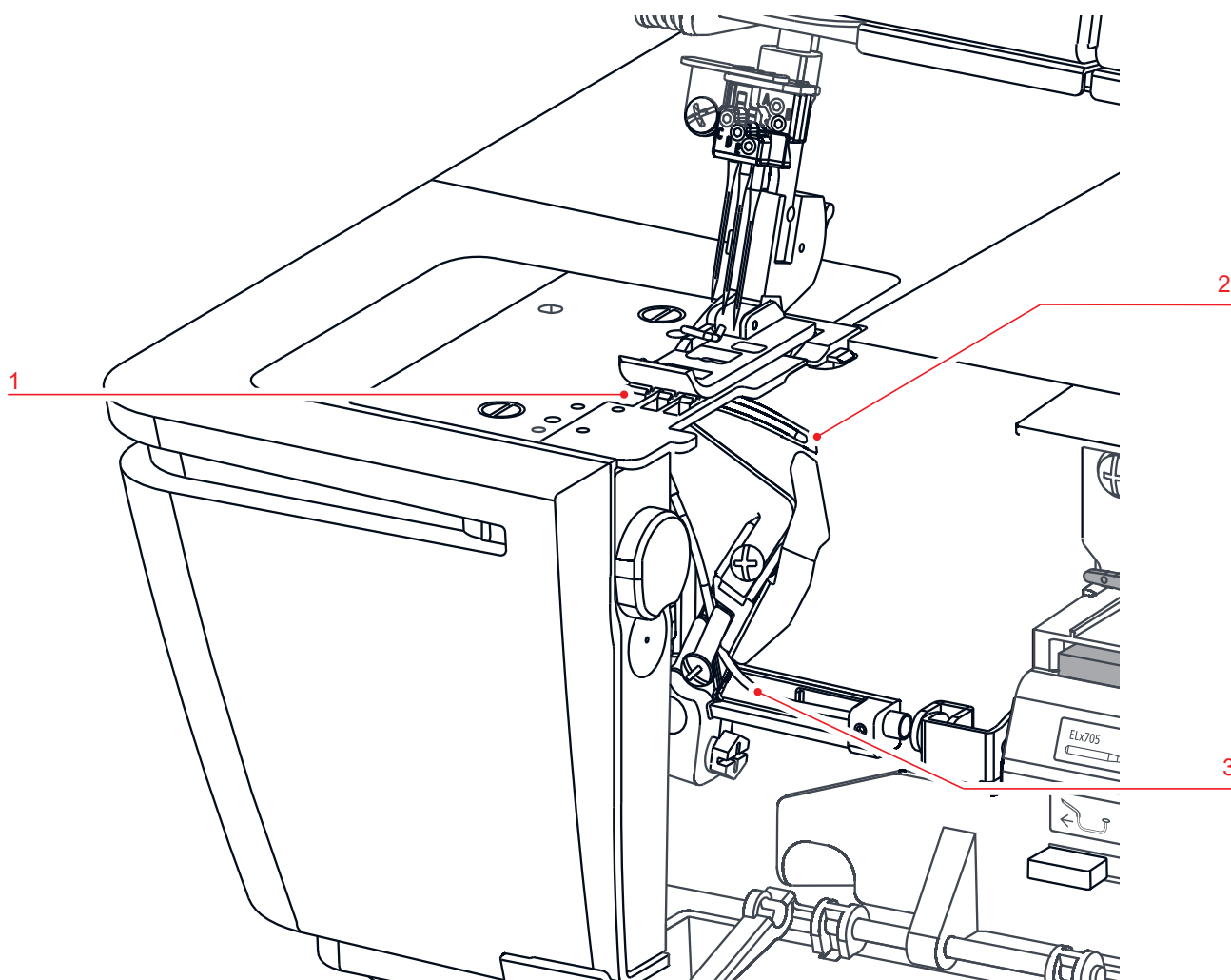
Overview Presser Foot



- 1 Presser Foot Sole
- 2 Presser Foot Sole Pin
- 3 Presser Foot Spring
- 4 Fixing Screw
- 5 Presser Foot shaft

- 6 Shaft Groove
- 7 Marking: Right Coverstitch Needle (RC)
- 8 Marking: Center Coverstitch Needle (CC)
- 9 Marking: Left Coverstitch Needle (LC)

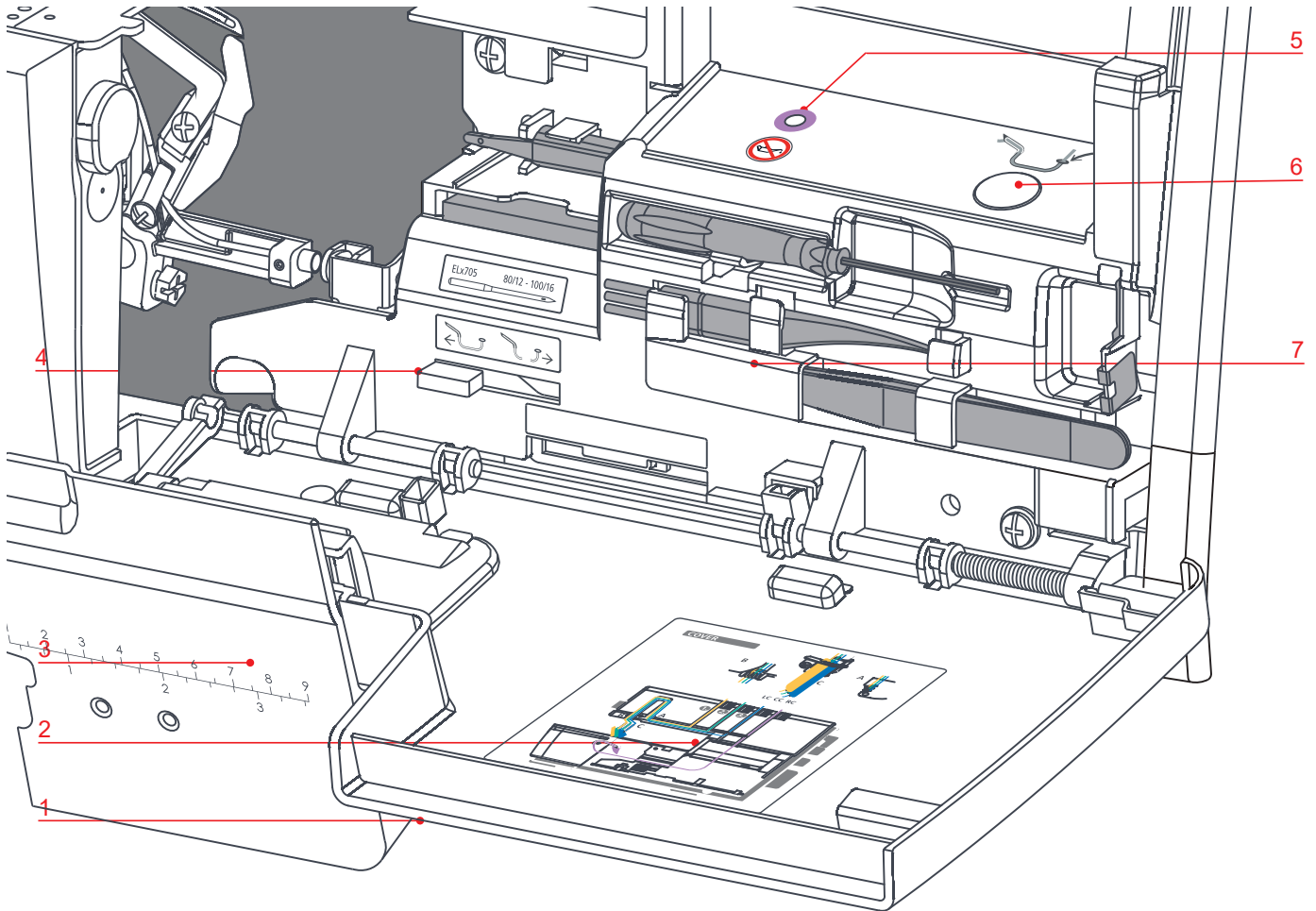
Overview - Looper area



- 1 Feed Dog
- 2 Chain Looper

- 3 Air Threader Pipes Chain Looper

Overview Threading area



- | | | | |
|---|-------------------------------|---|--|
| 1 | Threader Cover | 5 | Air Threader Nozzle |
| 2 | Threading Chart | 6 | Air Threader Lever |
| 3 | Coverstitch Insert | 7 | Accessories stored in the Threader Cover |
| 4 | Air Threader Connector On/Off | | |

Overview - Side panel













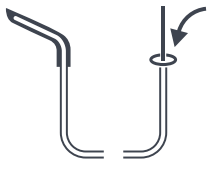



- | | | | |
|---|--------------------------|----|---|
| 1 | Carry Handle | 8 | Differential Feed Dial |
| 2 | Retractable Thread Guide | 9 | Handwheel |
| 3 | Spool Pin | 10 | Air Vents |
| 4 | Spool Pin | 11 | Connection for Foot Control and Power Cable |
| 5 | Needle Pad | 12 | Main Switch |
| 6 | Presser Foot Lifter | 13 | Connection for Knee Lifter (FHS) |
| 7 | Stitch Length Setting | | |

Symbols on the machine

The symbols on the machine are for your guidance and give assistance when adjusting settings and threading the machine.




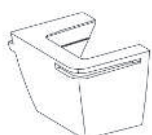


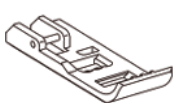
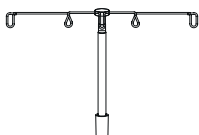
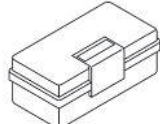
- Coverstitch Formation «CS»
- Chainstitch Formation «CL»

	LC (Left Coverstitch Needle)	Left Coverstitch Needle Thread
		Thread Path yellow «CS»
	CC (Center Coverstitch Needle)	Center Coverstitch Needle Thread
		Thread Path green «CS»
	RC (Right Coverstitch Needle)	Right Coverstitch Needle Thread
		Thread Path blue «CS»
	CL (Chain Looper)	Chain Looper
		Thread Path purple «CL»
	SL (Stitch Length)	Stitch Length
	DF (Differential Feed)	Differential Feed
	FHS (Free Hand System)	Knee Lifter (Free Hand System)
		Foot Pressure
		Air Threader
		Air Threader Connector On/Off

2.2 Overview - standard accessories





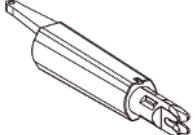
Included accessories

Visit www.bernette.com for more accessories information.

Figure	Name	Purpose
	Power Cable and Foot Control Cable	To connect the machine with the power supply system and the Foot Control. To start and stop the machine. To control the sewing speed.
	Coverstitch Insert	To protect the Looper Area.
	Coverstitch Insert for Slide-on Table	To protect the Looper Area. To increase the sewing surface when the Slide-on Table is used.
	Freearm Cover	To extend the work surface.
	Slide-on Table	To increase the sewing surface.
	Free Hand System (FHS)	To raise and lower the presser foot.
	Standard Coverstitch Presser Foot	For all coverstitches and chainstitches. For general sewing projects.
	Retractable Thread Guide	For an even unwinding of the thread from the thread cones.
	Accessories Box	To store the supplied accessories as well as the optional accessories.

Accessories behind the Threader Cover

The most often used accessories while sewing are stored behind the Threader Cover on the machine, so it is always quickly at hand.

Figure	Name	Purpose
	Needle Set ELx705 CF	Recommended needles for all-purpose use.
	Screwdriver	To loosen or tighten the fixing screws on the needle holder.
	Brush	To clean the feed dog and the looper area.
	Tweezers	For gripping the thread in tight positions.
	Needle Threader/ Inserter	To manually thread, insert and remove the needle.

Accessories Box



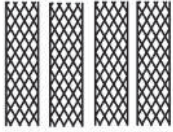





Figure	Name	Purpose
	Overlocker Oil	For oiling the looper components.
	Spool Stabilizer (4 x)	To stabilize the thread cone on the thread stand.

Figure	Name	Purpose
	Spool Net (4 x)	To support even unwinding of nylon, rayon, silk or metallic threads from the spool.
	Spool Disc (4 x)	To support the regular unwinding of the thread from the spool.
	Screwdriver	To loosen/tighten the stitch plate screws.
	CS Lock Tool	<p>To pull the needle threads and to secure the stitches.</p> <p>To separate the threads so that the sewing project can be removed from or placed under the presser foot.</p>
	Threading Wire	To thread the looper threads manually in the air threader pipe.
	Decorative Thread Guide	To sew with decorative threads for particularly wide and long stitches, for seams and edge finishing.

3 Setting up the machine

3.1 Working area

A solid table with a secure stand is a good prerequisite for optimal sewing results. Ergonomics around the sewing table is important to protect the muscles and joints of the back, shoulder, arms and hands. The recommendation for this includes matching the table height with the body posture. Avoid remaining in the same position for long periods.

The machine can also be operated when standing.

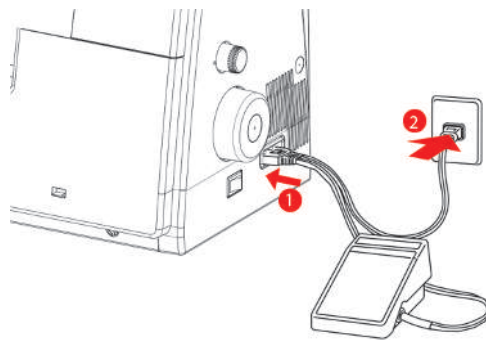
- > Place the machine on a solid table.

Correct sitting position

- > Sit comfortably in front of the machine.
- > Hold the arms bent a 90 ° across the table, with your fingertips to the machine.
 - The fingertips should touch the stitch plate.

3.2 Connection and Switching on

Connecting the machine and foot control

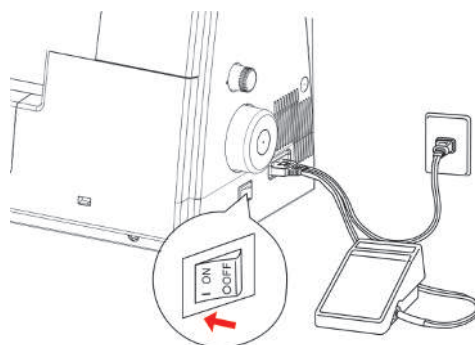


- > Insert the device plug (1) of the Foot Control/Power Cable into the connection for the Foot Control/Power Cable.
- > Insert the power plug (2) of the Foot Control/Power Cable into the socket.

Use of the power cable (only USA/Canada)

The machine has a polarized plug (one contact is wider than the other). To reduce the risk of electric shock, the plug can only be plugged into the socket in one way. If the plug does not fit into the socket, turn the plug. If it still does not fit, contact an electrician to install an appropriate outlet. Do not modify the plug in any way.

Switching the machine and sewing light on/off



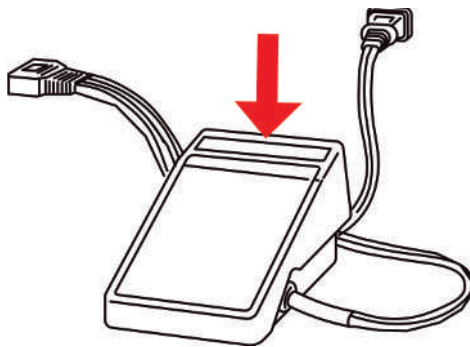
- > Set the Power Switch to «I».
 - The machine and the Sewing Light switch on.
- > Turn the Power Switch to «0».
 - The machine switches off.
 - The sewing light switches off time-delayed to the machine.

3.3 Foot control

Press the foot control

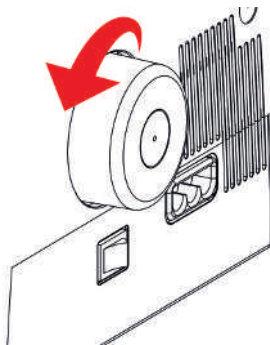
By operating the Foot Control the needle and knife move. The sewing speed can be infinitely adjusted by more or less pressure on the foot control.

- > To start the sewing process, increase the pressure on the Foot Control.
- > To stop the sewing process, reduce the pressure on the Foot Control.



3.4 Handwheel

By turning the Handwheel counterclockwise, several activities can be performed.



- Slow, precise placement of the needle
- Moving the Loopers
- Moving the Knife
- Mechanical coupling of the Air Threader

3.5 Machine covers

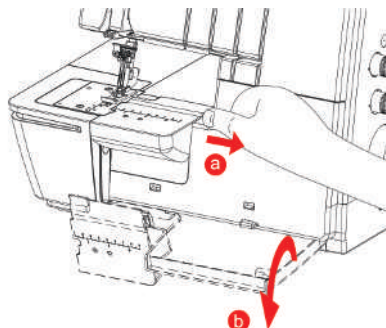
The machine covers protect against injuries caused by moving components and prevent fragile elements from being damaged. All covers must be fitted or closed prior to sewing.

- Threader Cover
- Knife cover insert
- Coverstitch Insert for Slide-on Table

Threader Cover

The Threader Cover protects the inserted Loper Threads during sewing operations. The Accessory Holder on the inside of the Threader Cover provides quick access to the most frequently used accessories.

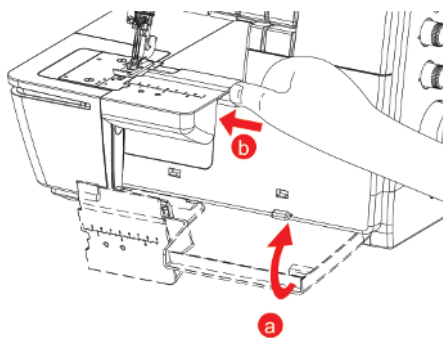
- > To open the Threader Cover, hold the groove and lower it forwards.



Prerequisite:

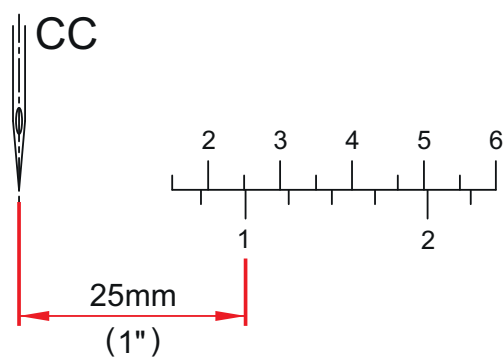
- The Air Threader Connector On/Off is at «O».

- > To close the Threader Cover and swing the Threader Cover up until it clicks into place.

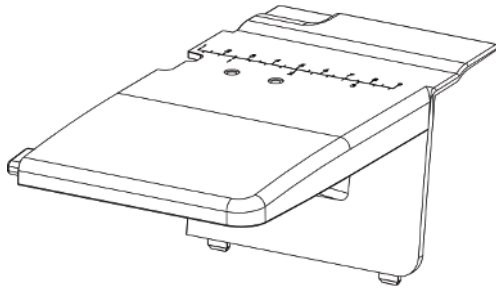


Coverstitch insert

The markings on the Coverstitch Insert refer to the Center Coverstitch Needle.

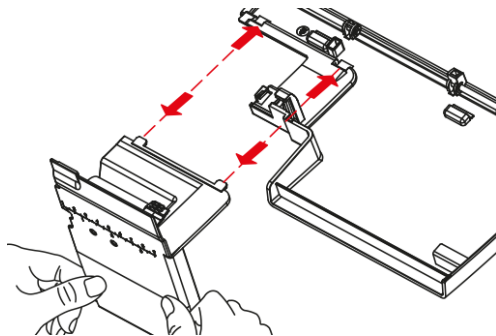


Removing/attaching the Coverstitch Insert for Slide-on Table



Prerequisite:

- Threader Cover is opened.
- > To remove the Coverstitch Insert, pull the Coverstitch Insert out of the snap-in opening.
- > To attach the Coverstitch Insert for the Slide-on Table, push the Coverstitch Insert for the Slide-on Table into the snap-in opening.



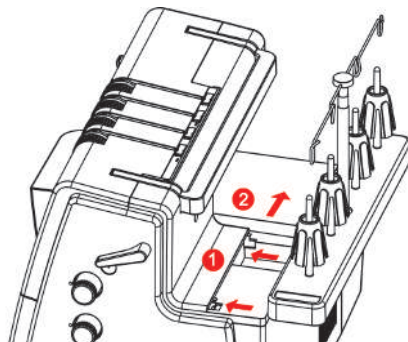
- > To remove the Coverstitch Insert for the Slide-on Table, press the Coverstitch Insert down at the snap-in opening and pull the Coverstitch Insert for the Slide-on Table out of the snap-in opening.

3.6 Thread stand

Thread cones, foot spools or household spools of all sizes can be placed on the thread stand.

Attaching the Thread Stand

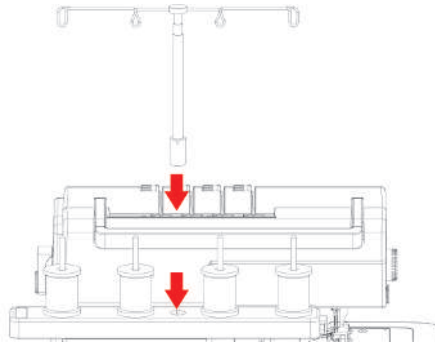
- > To fit the Thread Stand, press the connection points from behind towards the front of the machine (1) and snap them into place at the side (2).



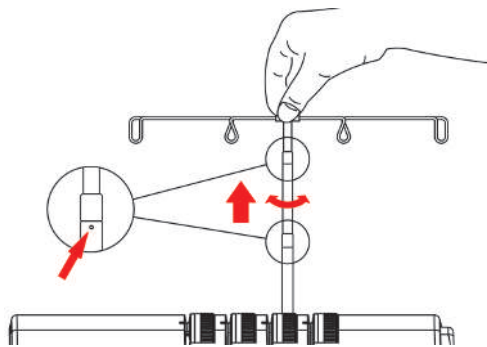
Preparing the Thread Guide

The Thread Guide ensures a clean unwinding of the thread from the thread cones. Each thread is guided through a Thread Guide Wire located directly above the thread cone.

- > To attach the Retractable Thread Guide, insert it into the opening provided in the Thread Stand until it clicks.



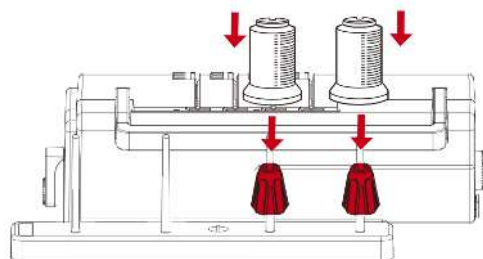
- > Hold the Thread Guide and pull it up to the stop.
- > Turn the Thread Guide to the left and right until the two positioning pins engage.
 - The outer Thread Guide Wires are parallel to the machine front.



- > To retract the Thread Guide, push the Thread Guide down with a little pressure.

Attaching the spool stabilizer

For large thread cones, the spool stabilizer serves to stabilize the thread cone on the spool pin.

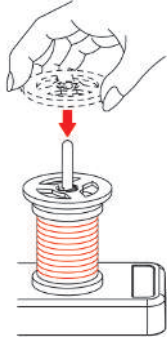


- > For extremely conical spools, place the spool stabilizer onto the spool pin with the pointy end up.
- > For slightly conical spools, place the spool stabilizer onto the thread spool pin with the pointy end down.

Place the spool disc

The Cap Disc ensures the stability of the thread spool and the even unwinding of the thread.

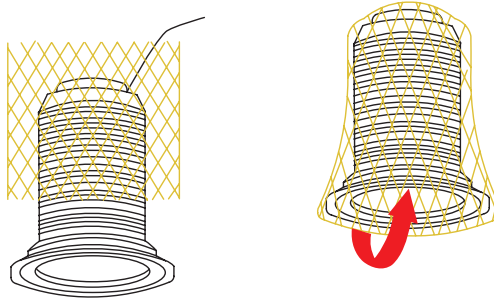
- > Place the thread spool on the Thread Stand.
- > Push the flat side of the Cap Disc over the Spool Pin to the thread spool.



Using the spool net

The spool net prevents the thread from sliding down from the thread spool and is recommended for special threads.

- Thin threads, which slide easily off the spool
- Nylon, rayon, silk threads or effect and metallic threads



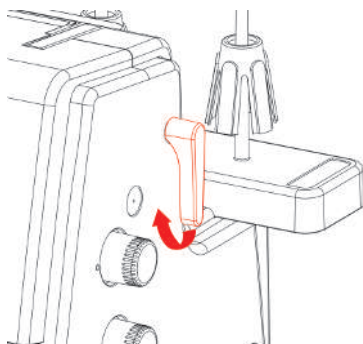
- > Put the spool net over the thread spool from above and pull the thread end upwards.

3.7 Presser foot

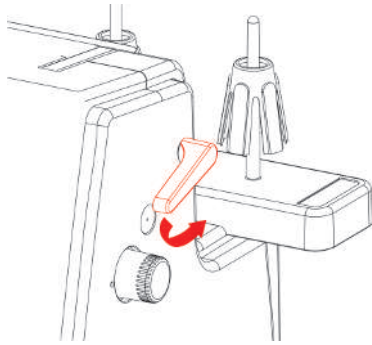
Positioning the presser foot up/down

The lifted presser foot allows you to place the sewing project under the presser foot. The lowered presser foot is a prerequisite for starting to sew.

- > Lift the Presser Foot Lifter until it engages.
 - The presser foot remains in the upper position.
 - The Thread Tension is released.



- > Lower the Presser Foot Lifter.
 - The machine is ready for sewing.
 - The Thread Tension is active.

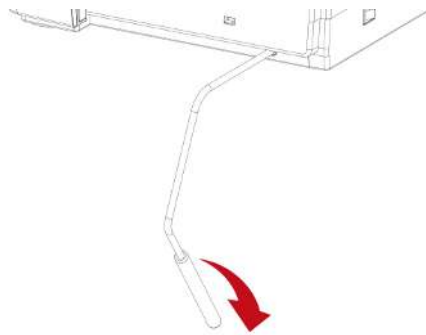


Lifting the presser foot up/down with the knee lifter

Temporarily lifting the presser foot via the Free Hand System allows repositioning the sewing project with both hands.

Prerequisite:

- The Knee Lifter of the Free Hand System is attached. (see page 31)
- > To raise the presser foot, press the Knee Lifter with the knee out to the right and hold it in place.

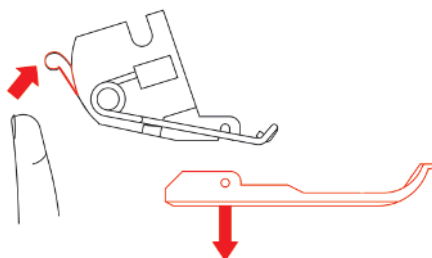


- > To lower the raised presser foot, slowly release the pressure on the Knee Lifter.
- > To lower the already engaged presser foot, press the knee lifter all the way to the right and release slowly.

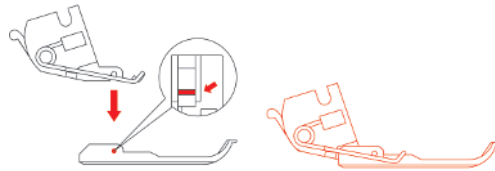
Changing the presser foot

Prerequisite:

- The needles are in the top position.
 - The presser foot is raised.
- > Press the Release Button on the rear side of the Presser Foot Shaft.
 - The presser foot is released.



- > Lift the Presser Foot Spring slightly and remove the presser foot.
- > Lift the Presser Foot Spring slightly and place the new presser foot beneath the shaft groove so that the shaft groove lies exactly above the Presser Foot Pin.
- > Lower the Presser Foot Shaft carefully until the shaft groove engages with the Presser Foot Pin.

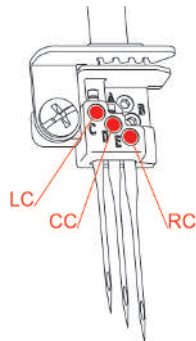


- > Raise the presser foot.

3.8 Needle area

Needle holder

The needle holder can hold three needles. The machine is designed for needles of the ELx705 system. Needle sizes between 80 – 100 are to be used for this machine.



Needles for coverstitches



«LC» Left Coverstitch Needle for coverstitches and chainstitches.



«CC» Center Coverstitch Needle for coverstitches and chainstitches.



«RC» Right Coverstitch Needle for coverstitches and chainstitches.

Changing the needle

The use of the needle inserter is recommended and prevents the needle from falling into the feed dog area.

NOTICE

Damage due to excessive tightening of the screws

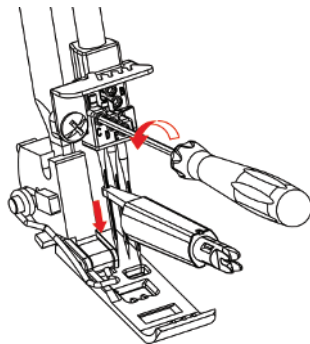
The threads of the Needle Holder may be damaged. A repair by the Authorized bernette dealer is required.

- > Do not overtighten the Needle Screws.

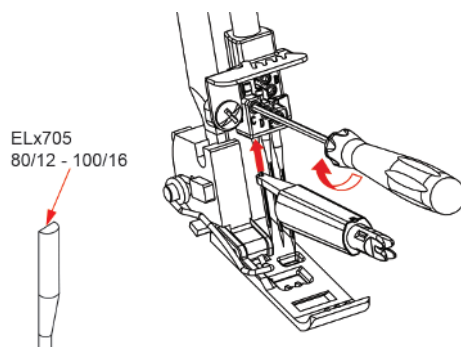
The needle holder can hold three needles. The machine is designed for needles of the ELx705 system. Needle sizes between 80 – 100 are to be used for this machine. (see page 35)

Prerequisite:

- The needles are in the top position.
- > Guide the Needle Inserter from below over the needle and loosen the Needle Screw using the supplied Screwdriver.



- > Pull the needle downwards to remove.
- > Insert the new needle into the Needle Inserter with the flat side facing back.



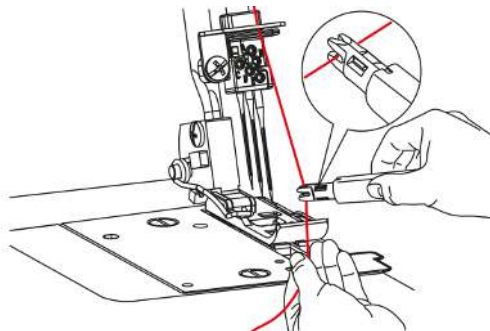
- > Push the needle into the corresponding Needle Holder opening as far as it will go.
 - Correctly inserted needles are not at the same height.
- > Tighten the Needle Holder Screws.

The Needle Holder Screws must always be tightened, even if no needles are inserted. This prevents the Needle Holding Screws from falling out a result of vibrations.

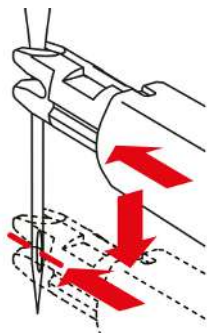
Threading the needle manually

With the Needle Threader every needle can be threaded easily.

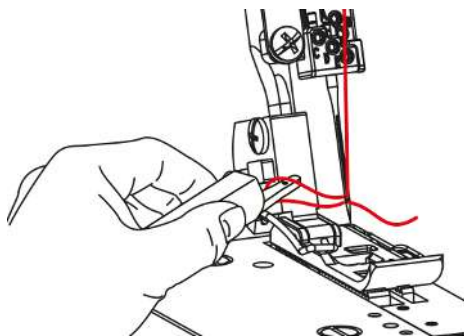
- > Hold the Needle Threader with the flat grip side facing up.
- > Pull the thread horizontally through the slot and hold the end of the thread.



- > Position the Needle Threader with the V-guide at the top of the needle and with little pressure slide along the needle to the eye.



- The metal pin presses the thread through the Needle Eye.
- > Release the pressure on the Needle Threader and remove it from the needle.
 - A thread loop is formed.
- > Pull the thread loop with the end of the Needle Threader to the back.



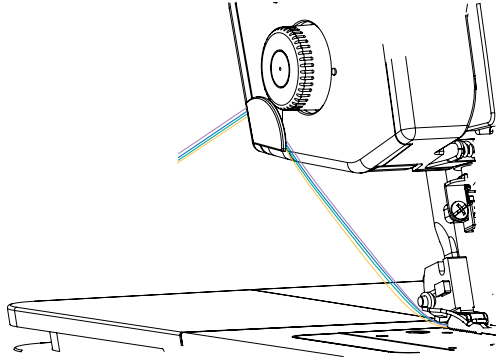
- > Place the thread under the presser foot to the back left.

3.9 Sewing Assistance

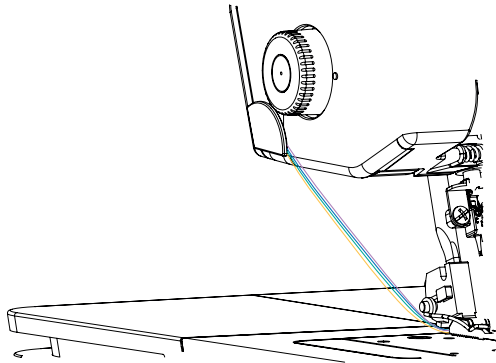
Using the thread cutter

The Thread Cutter is used for cutting threads.

- > Pull the threads over the thread cutter from the front and then down.



- The threads are clamped and ready for the sewing start.



Needle Pad

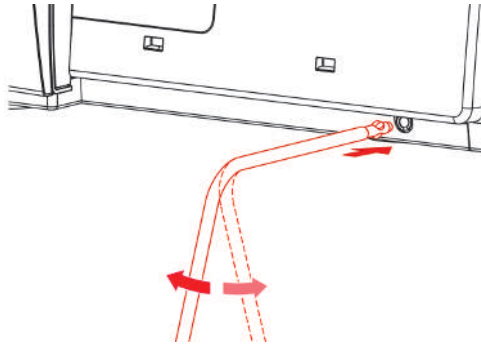
The Needle Pad is used to store needles that are not being used.



Attaching/removing the knee lifter

Temporarily lifting the presser foot via the Free Hand System allows repositioning the sewing project with both hands.

- > To attach the Knee Lifter, push the Knee Lifter Engaging Cam in a horizontal position into the Knee Lifter Connection until it stops.



- > To remove the Knee Lifter, pull the Knee Lifter out of the Knee Lifter Connection without swinging the Knee Lifter sideways.



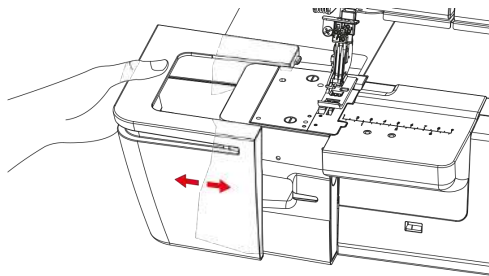
The swing-out position of the Knee Lifter can be adjusted at a bernette shop if necessary.

Attaching/removing the frearm cover

The frearm is ideal when working with tubular, closed projects such as cuffs, trouser hems or sleeve ends. The frearm cover closes the gap between the stitch plate and the sewing surface.

Prerequisite:

- The slide-on table is removed.
 - The Coverstitch Insert is fitted.
- > To attach the Frearm Cover, push the Frearm Cover along the guide rails from the left until it engages.
 - > To remove the frearm cover, pull the frearm cover to the left.



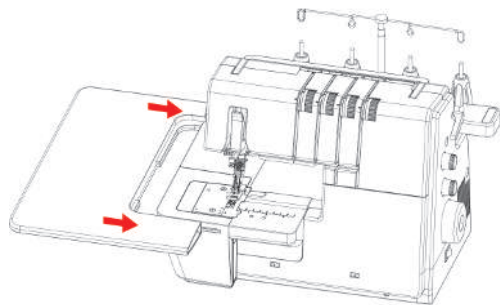
Attaching/removing the slide-on table

The Slide-on Table extends the sewing area when working on larger sewing projects.

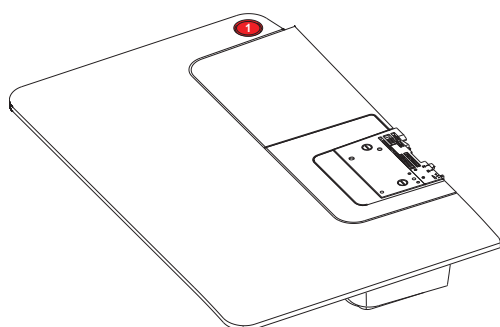
Prerequisite:

- The Frearm Cover and the Coverstitch Insert are removed.
- The Coverstitch Insert for the Slide-on Table has been fitted.

- > To attach the Slide-on Table, push the Slide-on Table along the guide rails from the left until it engages.



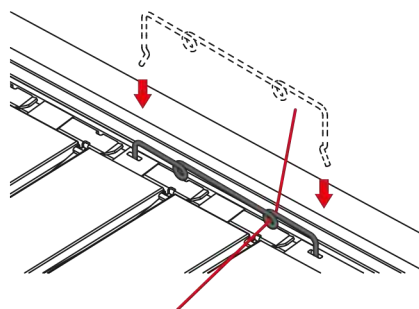
- > To remove the Slide-on Table, press the Release Mechanism (1) of the Slide-on Table and pull the Slide-on Table to the left.



Attaching the Decorative Threads Guide

Decorative Threads Guide prevents the Thread Tension Setting from overstretching the thread.

- > Tension the Decorative Threads Guide slightly and hook it into the left and right recesses in the machine cover.
- > Thread the thread through the Thread Guide Eyelet and insert it along the Thread Path between the Thread Tension Discs.



Fitting the Decorative Threads Guide with thread already inserted

- > Pull the thread out of the Thread Pretension.
- > Attach one end of the Decorative Threads Guide.
- > Thread the thread into the Decorative Threads Guide.
- > Attach the second end of the Decorative Threads Guide.

4 Sewing start

4.1 Check before starting to sew

In order to start a project successfully, the following steps must be performed.

- The machine is switched on and the presser foot is lifted.
 - The fabric and the applications have been selected. (see page 33)
 - The thread has been selected. (see page 33)
 - The needle size is matched with the thread type and the sewing project. (see page 35)
 - The stitch is selected.
 - The machine settings based on the stitch selection have been performed. (see page 40)
 - The Needle and Loper Threads have been threaded.
 - All Needle Threads and Loper Threads lie under the presser foot to the back left.
 - The Threader Cover is closed.
- > Place the sample fabric under the presser foot and lower the presser foot.
- > To start the sewing process, press the foot control.
- The selected stitch is formed.
 - If no stitch is formed, the settings on the machine for the stitch must be checked.

4.2 Selecting the fabric

The choice of fabric, in combination with needle, thread and stitch, plays a vital role in achieving the perfect sewing result. The sewing test with the selected fabric is recommended. (see page 54)

4.3 Selecting the thread

A wide range of sewing and special overlock threads are manufactured in various sizes and in different fiber combinations.

- The purchase of high-quality threads is recommended to achieve good sewing results.
- Use thread cones/spools which are suitable for overlocker machines.

NOTICE

Thread breakage due to incorrect Needle/Thread or Thread/Looper matching

The thread needs to glide smoothly through the respective Thread Guides.

It must be possible to feed the thread through the Loper or the Needle Eye without any resistance.

In the case of thick threads, elongate the stitch length and reduce the Thread Tension.

Needle Thread




Needle size and thread type must be carefully matched. The correct needle thickness depends on the selected thread as well as the fabric being used.

- The fabric type determines the thread type and point form.
- The thread type determines the needle size.

Needle sizes of 80/12 100/16 can be used on the machine.

Thread type	Needle size
Polyester Overlock Thread No. 120	#80 – #100
Polyester Multifilament < No. 120	80 – 90
Wooly Nylon	#80 – #100
Decorative Thread/Yarn	#80 – #100
Metallic Thread	#80 – #100

Check the needle/thread combination

	The needle/thread combination is correct, when the thread fits perfectly into the long groove and goes easily through the needle eye.
	The thread can break and skipped stitches can occur when there is too much clearance in the long groove and the needle eye.
	The thread can break and get stuck when the thread scrapes against the edge of the long groove not fit well into the needle eye optimally.

Looper Thread

A wide variety of thread types can be used as Looper Threads which can be threaded via the Air Threader System.

NOTICE

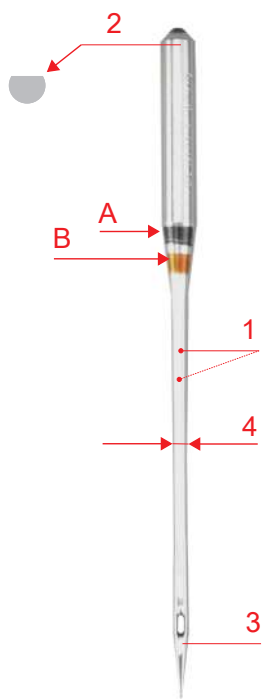
Damage by coated or waxed threads

Coated or waxed threads may lose some of their coating in the Air Threader Pipes which results in permanent blocking of the pipes. A repair by the Authorized bernette dealer is required.

Avoid the use of coated or waxed threads.

4.4 Selecting the needle

It is recommended to use the Needle Type ELx705 CF (Chrome Finish) version as this type is more durable due to the chrome coating. The machine runs most reliably with these needles because of their second groove. The needles should be replaced regularly. Only a perfect needle point can achieve a proper stitch.



A	Coverstitch needle ELx705 CF/80
1	two thread grooves
2	705 = Flat shank
3	CF = Chrome Finish
4 / B	80 = Needle size

- Needle size 80: For any common applications. For medium-weight to heavy fabrics.
- Needle size 90: For heavy fabrics.
- Needle size >90: In exceptional cases, only for very heavy fabrics.





Detect defective needles

Check the needle before each sewing start and replace it if necessary.



- 1 Bent needle
- 3 Blunt needle
- 2 Damaged needle point

Needle Overview

Illustration	Designation	*Size	Description	Material/Application
 	Coverstitch Needle ELx705 CF	80/12 90/14 100/16	With slightly rounded point, a second groove and chrome coating	For overlocking and coverstitching applications.
 	Jersey/Coverstitch Needle ELx705 SUK CF	80/12 90/14 100/16	With slightly rounded point, a second groove and chrome coating.	For overlocking and coverstitching applications on multilayer elastic fabrics.

*Not all needle sizes are available as BERNINA Needles.

5 Stitch

5.1 Stitch type

With this machine different stitch formations can be set. These stitches are achieved by different configurations of needles and mechanical settings.

Coverstitch

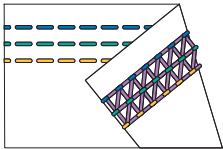
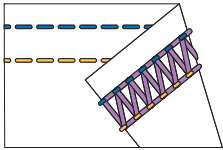
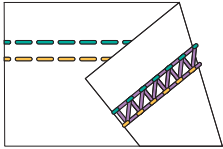
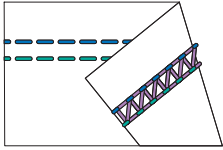
Hem

Coverstitch hems on garments, having been sewn with the machine, look very professional.

3- / 4-Thread Coverstitch

The coverstitch consists of 2 - 3 needle threads on the right side and 1 looper thread on the wrong side of the fabric.

Cover and chainstitch seams allow the option to sew without cutting the edges. These seams can be used in many different ways, for both functional and decorative purposes: Seams, hems, bindings etc.

No.	Stitch name	Stitch pattern
21	4-Thread Coverstitch	
22	3-Thread Coverstitch Wide (LC-RC)	
23	3-Thread Coverstitch Narrow (LC-CC)	
24	3-Thread Coverstitch Narrow (CC-RC)	

Tab. 1: 3- / 4-Thread Coverstitch

Decorative seam

Coverstitches and chainstitches can be used for decorative sewing. The wrong side of the seam is especially attractive when multicolor thread is used in the looper.

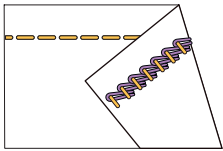
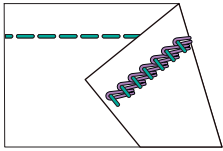
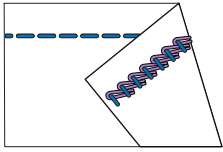
Chainstitch

Basting

The chainstitch is ideal for basting, e.g. in the provisional assembly of garments for fitting, when sewing costumes or with alterations to be made. Due to the loop structure of the stitch, the seam can be undone simply by pulling the Looper Thread.

2-Thread Chainstitch

The 2-thread chainstitch looks like a straight stitch on the right side of the fabric, and on the wrong side it forms a chain. With a decorative thread in the Chain Looper and the needle, the chainstitch looks more distinctive and is more prominent. With such a Chain Looper/Needle Thread combination, many creative possibilities are given. Due to the loop structure of the stitch, the seam can be undone simply by pulling the Chain Looper Thread.







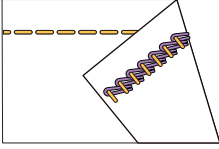
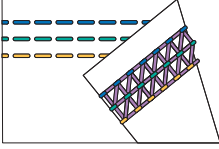
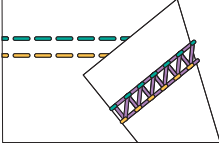
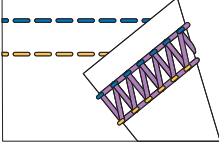
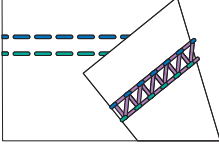
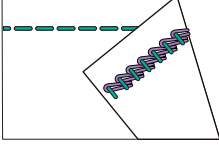
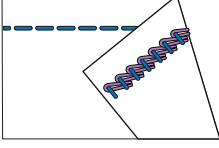
No.	Stitch name	Stitch pattern
16	2-Thread Chainstitch (LC)	
32	2-Thread Chainstitch (CC)	
33	2-Thread Chainstitch (RC)	

Tab. 2: Chainstitch

5.2 Stitch Chart

This instruction manual includes a Stitch Overview with all necessary default settings for each stitch. These default values may vary depending on the used material.


> Remove all the needles which are not required.

No.	Stitch name	Stitch pattern						
No. 16	2-Thread Chainstitch (LC)		3	–	–	3	3	1
No. 21	4-thread Coverstitch		4	4	4	4	3	1
No. 22	3-Thread Coverstitch Narrow (LC-CC)		4	4	–	4	3	1
No. 23	3-Thread Coverstitch Wide (LC-RC)		4	–	4	4	3	1
No. 24	3-Thread Coverstitch Narrow (CC-RC)		–	4	4	4	3	1
No. 32	2-Thread Chainstitch (CC)		–	3	–	3	3	1
No. 33	2-Thread Chainstitch (RC)		–	–	3	3	3	1

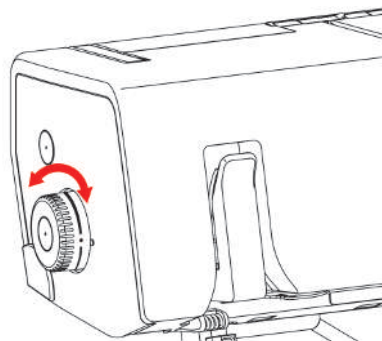
6 Machine settings

6.1 Setting the Presser Foot Pressure

The Presser Foot Pressure has been set in the default value so that it is optimal to sew medium-weight fabrics. Most materials do not require any adjustment of the Presser Foot Pressure. There are cases, however, when adjustment is required, such as when sewing very light and heavy fabrics.

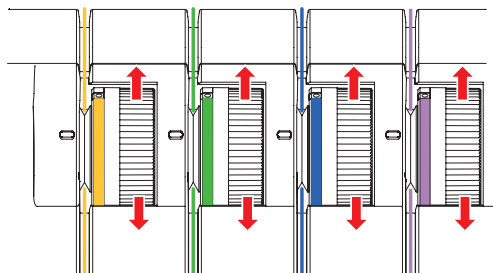
	Extra-high
	High
	Medium-high
	Default value
	Medium-light
	Light
	Extra-light

- > Reduce the Presser Foot Pressure for light fabrics.
- > Increase the Presser Foot Pressure for heavy fabrics.
- > Perform a sewing test to set the optimal Presser Foot Pressure for your sewing project.
- > To increase the presser foot pressure, set the presser foot pressure wheel to a higher value.
- > To reduce the presser foot pressure, set the presser foot pressure wheel to a lower value.



6.2 Adjusting the thread tension

The Thread Tension has a considerable influence on each individual thread and its task to perform the stitch formation. The Stitch Chart provides a recommended default value for each stitch. This recommendation can be optimized for different thread/fabric combinations. (see page 54)



- > To reduce the Thread Tension, turn the Thread Tension Adjustment Dial of the corresponding threads down to a lower value.

- > To increase the Thread Tension, turn the Thread Tension Adjustment Dial of the corresponding threads down to a higher value.




An adjustment of the stitch formation can primarily be achieved by reducing the thread tension.



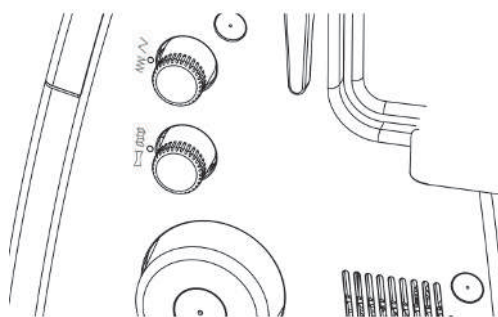
Optimizing the Thread Tension for coverstitches

The Thread Tension should be reduced in the smallest possible steps from the basic value. The stitch elasticity can also be increased by reducing the stitch length.

6.3 Adjusting the Differential Feed

 The Differential Feed prevents unwanted puckering or wavering in knitted or stretch fabrics as well as shifting of fabric layers. The setting values describe the ratio of movement of Front Feed Dog relative to the Rear Feed Dog. With default value 1, both Feed Dogs move at the same speed.

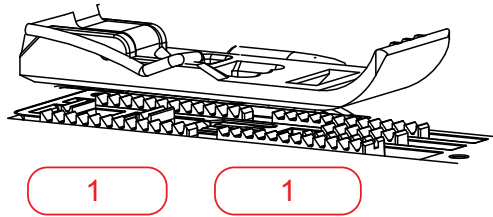
- > Adjust the feeding ratio of the two Feed Dogs by using the Differential Feed setting.



Value	Fabric	Result
2	Fine, soft fabrics	Ruffling, puckering, gathering
1.5	Jersey, sweatshirt, knits	Slight ruffling, preventing seam waving
1	Woven knit and medium weight dense fabric.	Default value
0.6	Fine nylon tricots, densely woven fabric, lining, satin	Stretching, preventing seam puckering

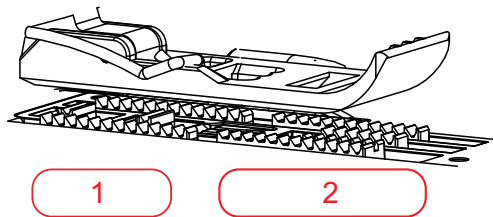
Default value "1"

In a default value of 1, the machine achieves optimum sewing results with most applications. The Differential Feed in default setting 1 for flat and even seams.



Gathering "1.5 – 2"

At a setting of 1.5 - 2 the Front Feed Dog (2) covers a longer distance than the Rear Feed Dog (1).



Gathering

> To gather intentionally, increase the Differential Feed to a value between 1.5 and 2. An elongated stitch length enhances the gathering effect.



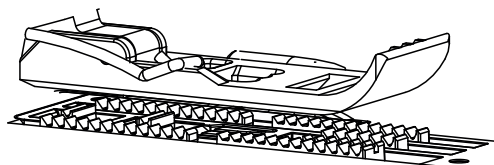
Gather to fit

> To prevent waviness increase the Differential Feed to a value between 1 and 2.



Stretching "0.6"

The Front Feed Dog (0.6) covers a shorter distance than the Rear Feed Dog (1). The material is stretched under the presser foot which helps to reduce puckering. This setting can also be used to deliberately stretch the material.



1

0.6

- > To prevent seam puckering, reduce the Differential Feed to a value between 0.6 and 1.



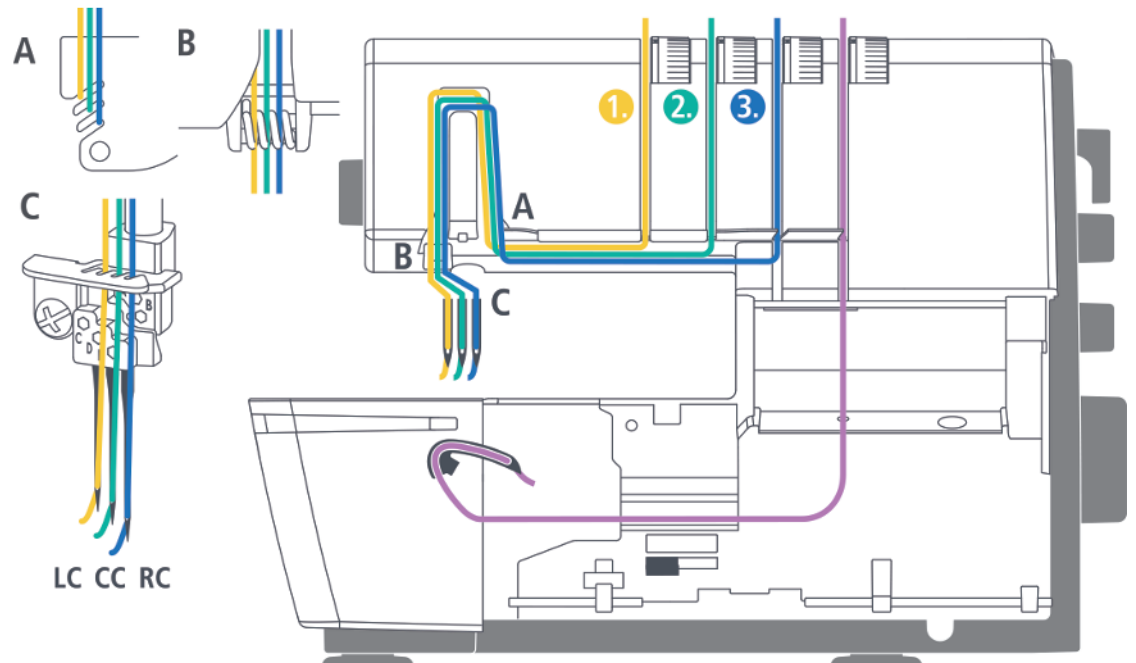
6.4 Setting the Stitch Length

- > The stitch length can be infinitely adjusted between 1.0 – 5.0 mm while sewing.
- > To elongate the stitch, set the Stitch Length Knob to a higher value.
- > To shorten the stitch, set the Stitch Length Knob to a lower value.

7 Threading

Threading of all Looper Threads is done by the Air Threading System. Threading of the Needle Threads must be performed in a specific sequence.

- > Thread the Needle Threads from left to right.



7.1 Threading preparation

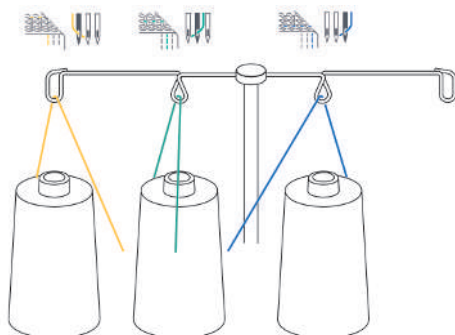
Before threading, make sure that the device is mechanically adjusted to the required stitch.

The machine has color-coded threading paths. Correct threading is ensured when following the color markings.

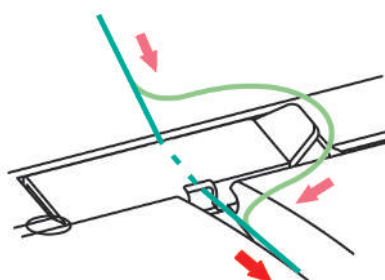
Prerequisite:

- The retractable thread guide is fully extended.
 - The needles are at the top position.
 - All threads and needles that are not needed for the particular stitch have been removed.
- > Raise the presser foot.
 - The Thread Tensions are released and the thread can be inserted without resistance.
 - > Place the thread cones on the respective spool pin.

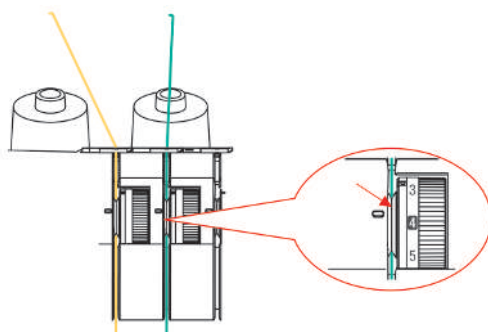
- > Place the thread from the back through the Thread Guide.



- > Engage the thread in the Thread Pretension.



- > Place the thread along the Threading Path between the Thread Tension Discs.



7.2 Threading the Loper Thread

The Chain Loper Thread (purple) is needed for each stitch.

NOTICE

Damage by coated or waxed threads

Coated or waxed threads may lose some of their coating in the Air Threader Pipes which results in permanent blocking of the pipes. A repair by the Authorized bernette dealer is required.

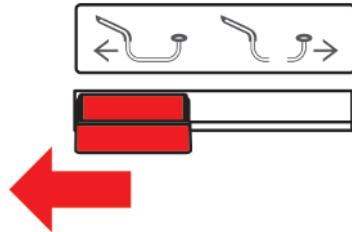
Avoid the use of coated or waxed threads.

Detailed information can be found in the stitch chart.

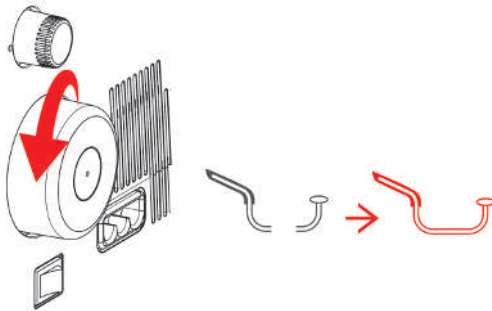
Threading the Chain Lopper Thread CL/purple

Prerequisite:

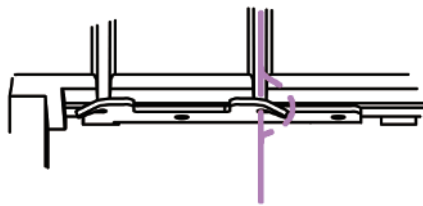
- Preparing for threading has been performed.
 - Threader Cover is opened.
- > Set the Air Threader Connector to the left position.



- > Slowly turn the Handwheel counterclockwise until the Air Threader Pipes couple.

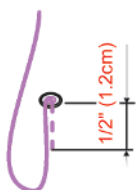


- > Feed the thread through the Thread Guide.

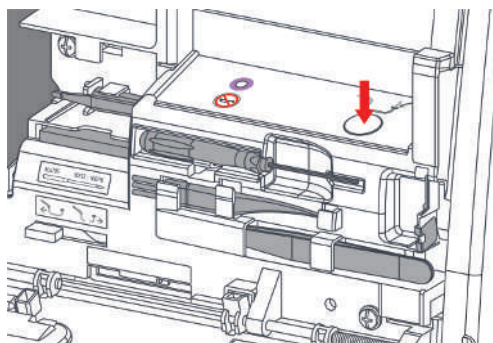


- > Pull a thread reserve of approx. 56 cm so that the thread can be completely drawn through the Air Threader Pipe.

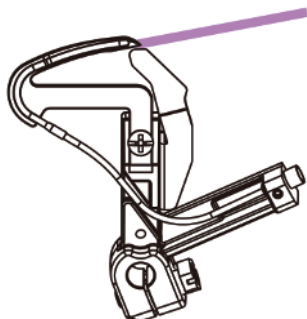
- > Place the end of the thread approx. 1.2 cm into the corresponding Air Threader Nozzle.



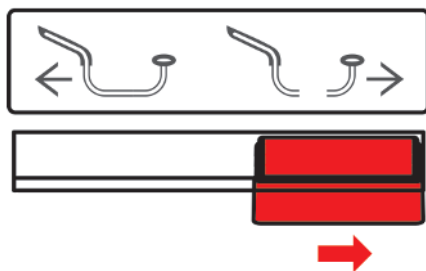
- > Press and hold the Air Threader Button.



- The automatic thread feed into the Air Threader starts.
 - The Looter Thread is shot through the Air Threader Pipe and exits at the Looter Tip.
- > As soon as the Looter Thread exits out of the Looter Eye, release the Air Threader Button.



- > Place the Looter Thread under the presser foot to the back left.
- > Set the Air Threader Connector to the right position.



- > Close the Threader Cover.

Threading the Looper Thread with an auxiliary thread

If a Looper Thread cannot be threaded automatically with the Air Threader, the use of an auxiliary thread makes sense.

Prerequisite:

- «Threading is prepared».
- > Open the Threader Cover.
- > Set the Air Threader Connector to the «left position».
- > Prepare an auxiliary thread at a length of about 60 cm.
- > Fold the auxiliary thread in half, hold the thread end with the loop in your hand and insert the two thread ends into the Air Threader Nozzle.
- > Start the Air Threader Process until the thread ends of the auxiliary thread emerge out of the Looper Eye.
- > Place the Looper Thread end at the length of about 20 cm through the loop of the auxiliary thread.
- > Pull the auxiliary thread ends until the thread comes out of the Looper Eye.
- > Remove the auxiliary thread.
- > Place the Looper Thread under the presser foot to the back left.

Using the Threading Wire

If the Air Threader cannot be started to thread the Looper Threads, the use of the Threading Wire is a threading option. The Threading Wire is a wear part and not designed as a permanent threading or cleaning aid.

Any malfunctions of the Air Threader System must be repaired by an authorized BERNINA dealer.

NOTICE

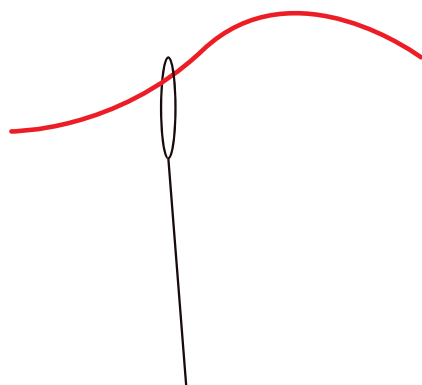
Damage by improper use of the Threading Wire

The Air Threader Pipes may be damaged. A repair by the Authorized bernette dealer is required.

- > Always insert the Threading Wire in the thread feed direction and pull it through.

Prerequisite:

- There is no thread in the respective air threader pipe.
- «Threading is prepared.»
- > Open the Threader Cover.
- > Push the end of the Threading Wire without loop through the Air Threader Nozzle until it exits at the Looper Eye.
- > Place the wanted thread through the loop of the Threading Wire.



- > Pull the end of the Threading Wire until the Looper Thread exits from the Looper Eye.
- > Place the Looper Thread under the presser foot to the back left.
- > Close the Threader Cover.

7.3 Threading the needle thread

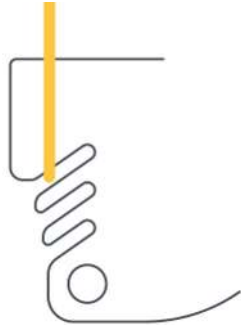
Detailed information can be found in the stitch chart.

Threading the left Coverstitch Needle Thread left LC/yellow

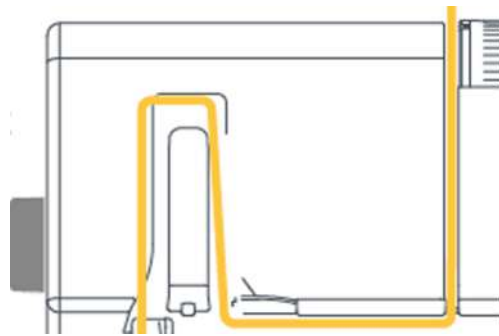
- 🟡 The left Needle Thread is provided with this yellow marking along the entire threading path.

Prerequisite:

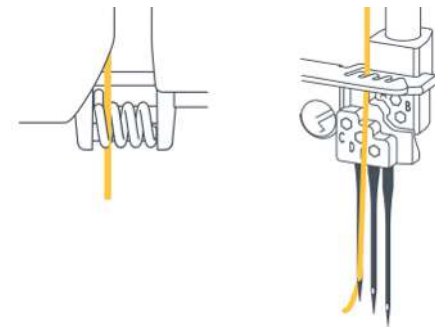
- «Threading is prepared».
- > Pull the thread beneath the thread guide plate to the left and up behind the yellow marking.



- > Pull the thread around the Thread Take-up Guide upwards and pull it in the corresponding Thread Path towards the needle.



- > Hook the thread into the left thread guide of the Needle Holder.



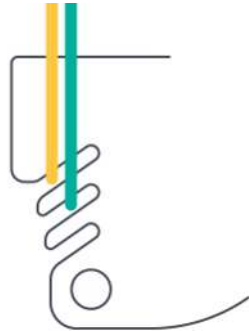
- > Thread the Needle Eye.
- > Place the thread beneath the presser foot to the back left.
- > Lower the presser foot when all necessary threads have been threaded.

Threading the center Coverstitch Needle Thread center CC/green

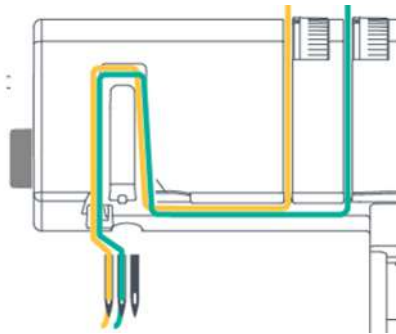
- The center Coverstitch Needle Thread is provided with this green marking along the entire Threading Path.

Prerequisite:

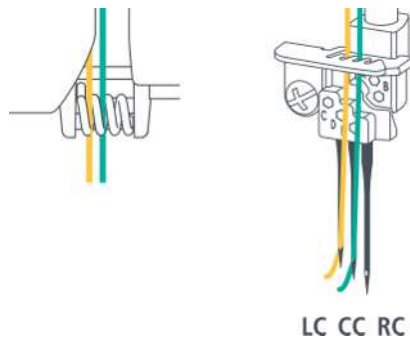
- «Threading is prepared».
- > Pull the thread beneath the thread guide plate to the left and up behind the green marking.



- > Pull the thread around the Thread Take-up Guide upwards and pull it in the corresponding Thread Path towards the needle.



- > Hook the thread into the second thread guide from left of the Needle Holder.



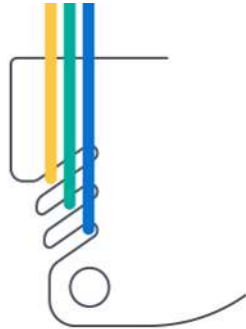
- > Thread the Needle Eye.
- > Place the thread beneath the presser foot to the back left.
- > Lower the presser foot when all necessary threads have been threaded.

Threading the right Coverstitch Needle Thread RC/blue

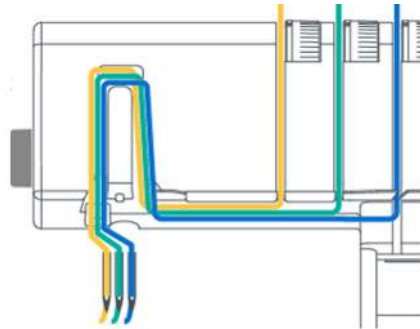
- The right Coverstitch Needle Thread is provided with this blue marking along the entire Threading Path.

Prerequisite:

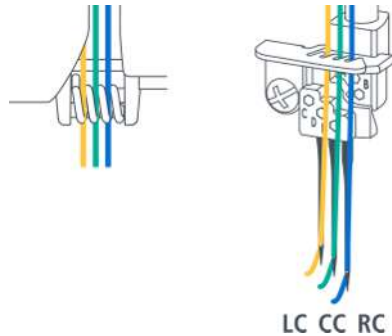
- «Threading is prepared».
- > Pull the thread beneath the thread guide plate to the left and up behind the blue marking.



- > Place the thread over the upper Needle Thread Take-up Lever Cover.



- > Hook the thread into the third Thread Guide from left of the Needle Holder.



- > Thread the Needle Eye.
- > Place the thread beneath the presser foot to the back left.
- > Lower the presser foot when all necessary threads have been threaded.

7.4 Thread change

Knitting thick thread

Tying on threads is often used for changing Needle or Looper Threads.

Keep the knotted area as little as possible to reduce friction.

NOTICE

Pulling a thread tie through the needle eye

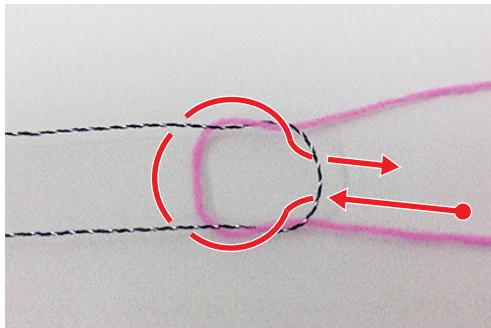
The needle can be bent. A bent needle affects the stitch formation.

> Cut the tie in front of the needle eye and thread the needle individually.

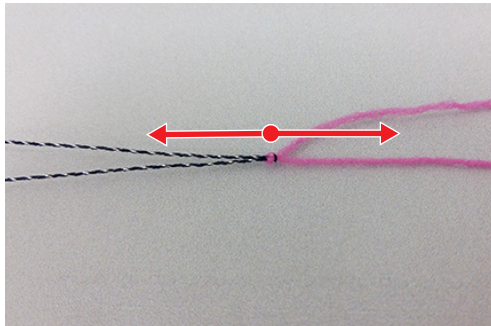
> Form a loop with the dark thread.

> Thread the pink thread end from beneath into the dark thread loop.

> Guide the pink thread to the back around the two dark thread ends and then from above through the loop.



> Hold both thread ends and pull them apart.



Changing the needle thread

NOTICE

Pulling a thread tie through the needle eye

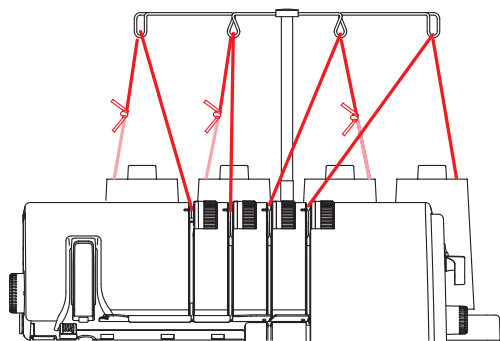
The needle can be bent. A bent needle affects the stitch formation.

> Cut the tie in front of the needle eye and thread the needle individually.

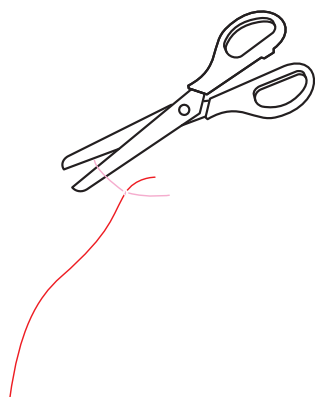
> Cut the thread above the thread cone.

> Change the thread cone.

- > Tie the threaded thread to the new thread.



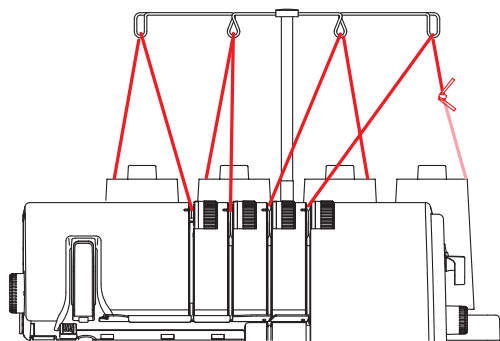
- > Pull the threaded end of the thread until the newly knotted thread is in front of the Needle Eye.
- > Cut off the new thread behind the knotting.



- > Remove the excess thread from the Needle Eye.
- > Thread the Needle Eye.
- > Place the thread under the presser foot to the left.

Changing the looper thread

- > Cut the thread above the thread cone.
- > Change the thread cone.
- > Tie the inserted Looper Thread to the new thread.



- > Pull the end of the thread out of the Looper Eye until the knot emerges.
- > Cut off the new thread behind the knotting.
- > Place the thread under the presser foot to the left.

8 Sewing test

To check the optimal setting, a sewing test should be sewn on a spare piece of the fabric used for your project.

The default values of the stitches represent recommendations that work for most standard applications. Depending on the result of the sewing test, fine adjustments for stitch optimization are possible.

8.1 Performing a sewing test for an coverstitch

Prerequisite:

- The «Sewing start» has been performed.
- > Raise the presser foot.
- > Place the fabric under the presser foot such that the presser foot lies completely on the fabric.
- > Lower the presser foot.
- > Press the foot control and start sewing slowly. Guide the fabric gently as the machine automatically transports the material.
- > Do not sew beyond the end of the fabric.
- > Set needles to topmost position.
- > Raise the presser foot.
- > Pull the Needle Thread between the fabric and the presser foot to the left with the CS-Lock Tool and cut it.
- > Pull the sewing project to the back left and cut the Looper Thread.
 - The seam end is secured.
- > Assess the sewing test and make any necessary adjustments until the stitch setting matches the material combination.

8.2 Performing a sewing test for an chainstitch

Prerequisite:

- The «Sewing start» has been performed.
- > Raise the presser foot.
- > Place the fabric under the presser foot such that the presser foot lies completely on the fabric.
- > Lower the presser foot.
- > Press the Foot Control and sew slowly. Guide the fabric gently as the machine automatically transports the material.
- > Sew beyond the fabric end such that a thread chain is formed.
- > Raise the presser foot.
- > Pull the sewing project to the back left and pull the threads over the Thread Cutter.
 - The seam end is secured.
- > Assess the sewing test and make any necessary adjustments until the stitch setting matches the material combination.

8.3 Optimizing stitches

Optimizations of stitches should be made systematically. In the following, recommendations are listed for each stitch type, which optimize the stitch pattern through specific changes to the machine setting.

- > Perform one action step after another, starting from the top.
- > Reduce the Thread Tension in the first place before increasing the Thread Tension.
- > Alter the Thread Tensions by half or one digit.
- > Perform a sewing test.

4-/3-Thread Coverstitch

In a balanced stitch formation the Needle Threads (yellow, green, blue) are visible as straight lines on the top side of the stitch and as points on the bottom side of the stitch. The Loper Thread forms a connecting waved line on the bottom side of the stitch.

Stitch pattern	Solution
Needle thread (yellow, green or blue) creates loops on bottom side of the fabric.	<ul style="list-style-type: none"> > Increase the needle thread tension (yellow, green or blue). > Reduce the CL Thread Tension (purple). > Increase the Stitch Length «SL». > Check threading path.
Chain looper (purple) thread loose on the bottom side of fabric.	<ul style="list-style-type: none"> > Increase the CL Thread Tension (purple). > Increase the Stitch Length «SL». > Check threading path.
Chain looper (purple) thread too tense, seam is tunneling.	<ul style="list-style-type: none"> > Reduce the CL Thread Tension (purple). > Reduce the Stitch Length «SL». > Check threading path.
The seam puckers. Needle thread (yellow, green or blue) too tense.	<ul style="list-style-type: none"> > Reduce the needle thread tension (yellow, green or blue). > Set the Differential Feed between 1 and 0.7 (Stretching). > Reduce the Stitch Length «SL».

Tab. 3: Stitch optimization: 4-/3-Thread Coverstitch

9 Practical Coverstitching

9.1 Securing the stitch

The stitches are secured when they are overstitched. Securing stitches is particularly important when seam ends are not integrated with other seams or hems.

Securing cover- and chainstitches at the start of the seam

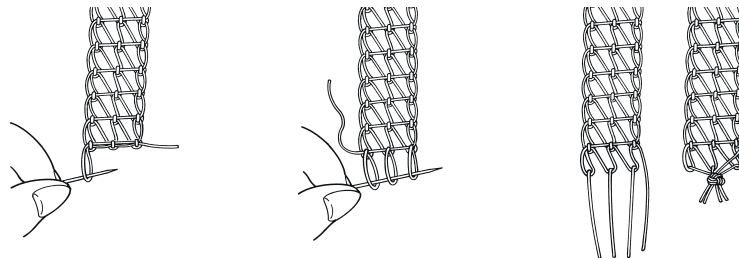
With cover- and chainstitches, the first stitch is automatically secured by the following stitches.

Securing Cover- and Chainstitches at the start of the seam

The stitches are secured when they are overstitched. Securing stitches is particularly important when they don't start or end together with other seams or hems.

Securing coverstitches at the seam end

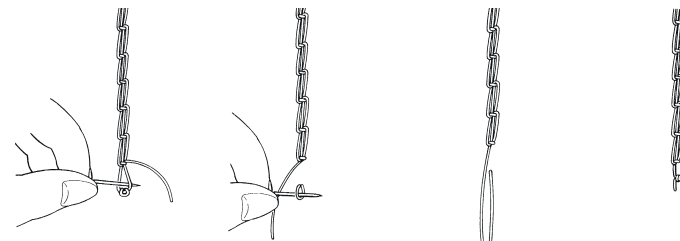
To secure the coverstitch at the end of the seam, the Needle Threads need to be pulled through the loop of the Loper Thread first and then knotted with the end of the Loper Thread on the wrong side of the fabric.



- > Turn the fabric to the wrong side.
- > Undo the loop of the Loper Thread with a sewing needle and hold it.
- > Pull the end of the Loper Thread upwards so that the loops of the Needle Thread appear on the wrong side of the fabric.
- > String the loops of the Needle Threads with a sewing needle and pull them up so that all thread ends are on the wrong side of the sewing project.
- > Knot the thread ends together close to the stitch end.

Securing chainstitches at seam end

To secure the chainstitch at the end of the seam, the Needle Thread needs to be pulled through the loop of the Loper Thread first and then knotted with the end of the Loper Thread on the wrong side of the fabric.



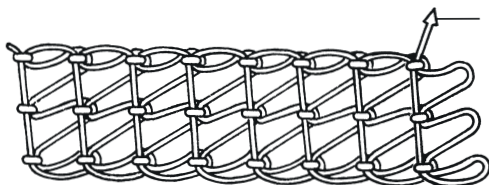
- > Turn the fabric to the wrong side.
- > Undo the loop of the Loper Thread with a sewing needle and hold it.
- > Pull the end of the Loper Thread upwards so that the loops of the Needle Thread appear on the wrong side of the fabric.
- > String the loops of the Needle Threads with a sewing needle and pull them up so that all thread ends are on the wrong side of the sewing project.
- > Knot the thread ends together close to the stitch end.

9.2 Undoing a stitch

Cover- and chainstitches are loops which are formed by the intertwining of Loper Thread and Needle Threads.

Undoing Coverstitches

- > On the wrong side of the fabric, pull the Loper Thread out of the thread chain at the seam end.



- > Remove the Needle Threads on the right side of the fabric.
 - The stitches are undone.

Undoing Chainstitches

- > At the end of the seam, pull the Loper Thread out of the thread chain on the wrong side.



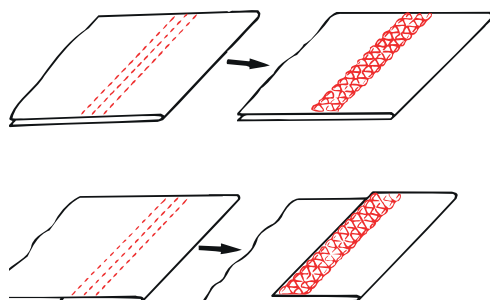
- > Remove the Needle Thread on the right side of the fabric.
 - The stitches are undone.

9.3 Sewing a hem

The coverstitch is ideal for hems in stretchy and knit material.

Prerequisite:

- The machine is set for a coverstitch.
- > Mark the hem depth (wrong side on wrong side) and press the hem.
- > the fabric under the presser foot, right side up.
- > Guide the edge of the hem along one of the markings on the coverstitch insert and sew.
 - The hem is sewn and finished on the wrong side at the same time.

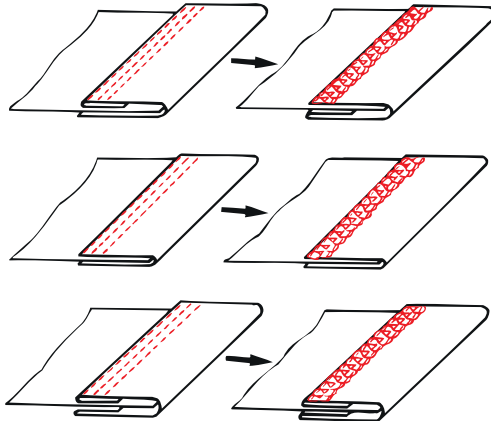


- > Cut back any excess seam allowance.

9.4 Binding a seam

Binding seams proves ideal for elastic necklines, sleeve edgings and circular finishes.

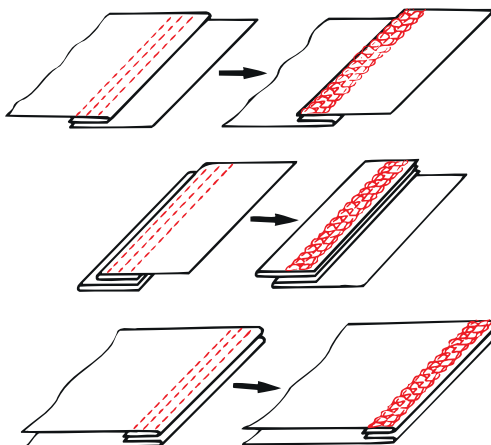
- > Cut bias tape or strips of jersey to the desired width.
- > Mark the seam, iron it or pin it in place.
- > Wrap the binding around the edge of the material and sew it.
- > Guide the edge of the binding on the upper side of the sewing project along the left spring-loaded foot part.
 - On the wrong side of the fabric, the edge of the binding is finished by the Loper Thread.
- > Trim any protruding seam allowance back to 2 mm.



9.5 Topstitching seams

To topstitch overlock seams, the coverstitch is suitable in all elastic materials. Ideal for sweatshirts, jersey dresses, jackets, knitted coats and patchworked garments.

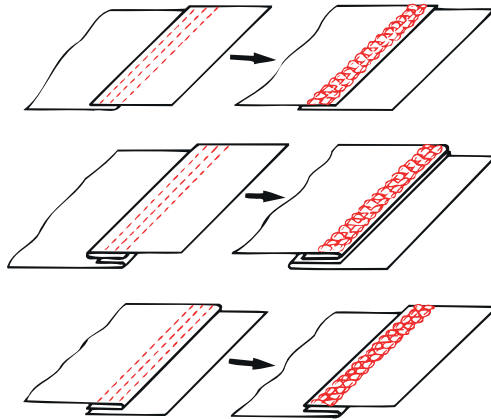
- > Place the seam to one side or iron it.
- > Topstitch close along the edge on the right of the sewing project.
- > Guide the lateral foot parts along the edge of the seam.
 - A decorative, hard-wearing and durable finish is created.



9.6 Joining seams

- > Thread and set the machine for a cover- or chainstitch.
- > Adjust the stitch length suitable for the fabric.
- > Place the fabric under the presser foot and lower the presser foot.
- > Sew the seam.

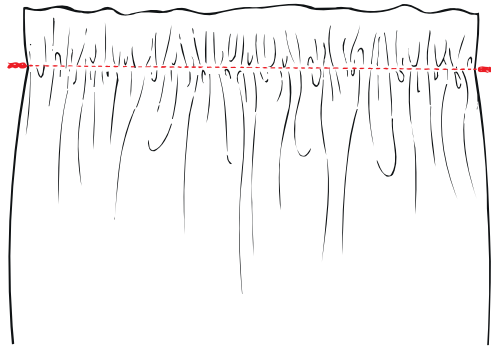
- > To sew parallel lines or pintucks, use either the left or the right edge of the foot or the scale on the Coverstitch Insert.



9.7 Gathering a seam

Single layers of thin fabric can be gathered with the chainstitch.

- > Increase the Differential Feed.



10 Appendix

10.1 Storing and transporting the machine

Storing the machine

The correct storage of the machine over a longer period of time has an influence on its lifespan and functionality.

- > Don't store the machine outdoors.
- > Protect the machine against climatic influences.
- > Before operating the machine again after storage, leave the machine unpacked for approx. 1 h at room temperature.

Transporting the machine

For a relocation or a longer transport of the machine, the following actions should be carried out.

- > Retract the retractable thread guide of the thread stand completely downwards.
- > Lower the presser foot.
- > Remove all connecting cables.
- > Lift and transport the machine by holding the Carry Handle.

10.2 Maintenance and cleaning the machine

NOTICE

Damage by cleaning with compressed air

Cleaning using aerosol sprays or compressed air may cause permanent damage to your machine. A repair by the Authorized bernette dealer is required.

- > Remove fabric scraps and thread remnants using a vacuum cleaner with soft tip.
-

Cleaning the machine

The service life of the machine depends on the care and maintenance. Based on normal household use, an annual service at the Authorized bernette dealer is recommended.

Recommended aids for cleaning:

- Damp cloth
- Brush
- Tweezers
- Vacuum cleaner with soft tip

Clean recommended machine areas:

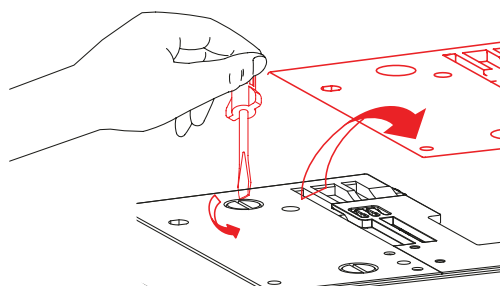
- Needle, Needle Bar
 - Presser Foot
 - Feed Dog (from above)
 - Freearm interior
- > The machine can be cleaned with a damp cloth without detergent.
 - > Free the sewing area from fabric and thread scraps regularly after sewing.

Cleaning the Looper Area

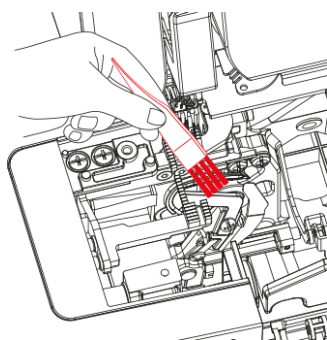
Dust, fabric and thread remnants accumulate in the Looper area during overlocking and these should be removed regularly.

Prerequisite:

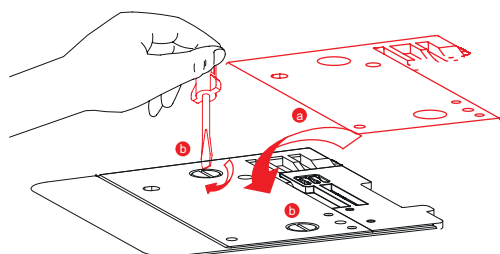
- The presser foot is raised.
 - The needles are in the top position.
 - The machine is switched off.
- > Remove the presser foot.
- > Unscrew the Stitch Plate from the freearm.



- > Remove dust, fabric and thread remnants with the brush or a vacuum cleaner.



- > Attach the stitch plate and screw it on.
- > By slowly turning the Handwheel, ensure that the knife, the Needle and the Feed Dog are not impeded in their movement.



- > Attach the presser foot.

Cleaning the air threader pipes

NOTICE

Damage by fluids in the air threader system



The air threader pump may be damaged permanently if liquids infiltrate the system. A repair by the authorized bernette dealer is required.

- > Keep liquids away from the air threader nozzles.

Regularly remove dust and thread remnants from the Air Threader Pipes.

Prerequisite:

- Use a thick thread (e.g. Amann Saba C size 30) at a length of about 1 m.
- > Thread the thread into the Air Threader Nozzle.
- > Hold the thread at the thread ends and pull back and forth several times.
- > Remove the thread at the Looper End in thread feed direction.

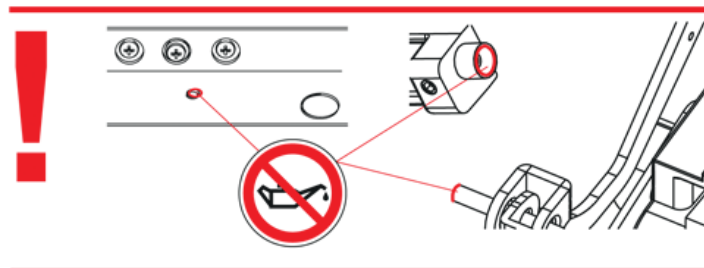
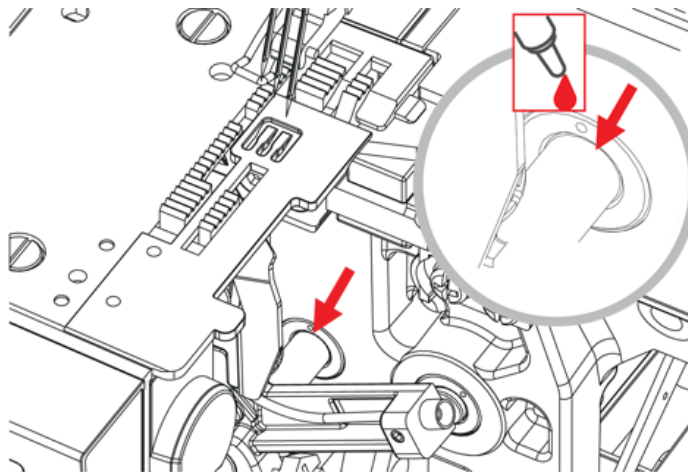
Cleaning the suction feet

Cleaning the suction feet prevents the machine from slipping on the table at high sewing speed.

- > Remove dust and thread remnants from the suction feet with a damp cloth.

Oiling the machine

- > Regularly lubricate the Upper Looper Joint with a drop of the supplied bernette overlock oil.



10.3 Troubleshooting

Fault	Solution
Fabric does not feed well.	<ul style="list-style-type: none"> > Elongate the stitch length. > Increase the Presser Foot Pressure for heavyweight fabric. > Decrease the Presser Foot Pressure for lightweight fabrics. > Check the setting of the Differential Feed.
Needle breaks	<ul style="list-style-type: none"> > Insert the needle correctly. > Don't pull the fabric while sewing. > Tighten the Needle Holder Screws. > Select the appropriate needle for the sewing project and the weight of thread.
Thread breakage	<ul style="list-style-type: none"> > Reduce the Thread Tension. > Check the threading path. > Check whether the thread has become tangled or caught. > Insert the needle correctly. > Changing the needle > Thread high-quality thread.
Skipped stitches	<ul style="list-style-type: none"> > Changing the needle > Tighten the Needle Holder Screws. > Match the needle size with the fabric/thread. > Insert the needles correctly. > Select the appropriate needle for the sewing project and the weight of thread. > Check the threading path. > Increase the Presser Foot Pressure. > Thread high-quality thread.
Irregular stitches	<ul style="list-style-type: none"> > Adjust the Thread Tension. > Check whether the thread has become tangled or caught. > Check the Threading Path.
Fabric puckers	<ul style="list-style-type: none"> > Check the setting of the Differential Feed. > Reduce the Thread Tension. > Check whether the thread has become tangled or caught. > Thread high-quality thread. > Reduce the Stitch Length. > Decrease the Presser Foot Pressure for lightweight fabrics.
Fabric piles up	<ul style="list-style-type: none"> > Elongate the stitch length. > Check the setting of the Differential Feed. > Check whether the thread has become tangled or caught. > Baste thick layers of fabric first with a sewing machine, then sew with the coverstitch machine.
Machine not running	<ul style="list-style-type: none"> > Connect machine to the power source and switch it on. > Close the Threader Cover.

10.4 Specifications

Article	Value	Unit
Number of stitches	7	
Number of Loopers	1	
Number of needles	1– 3	
Needle System	ELx705	
Needle size	80 – 100 (12 – 16)	
Differential Feed	0.6 – 2.0	
Maximum fabric thickness	5 (0.23)	mm (in)
Stitch Length LN	5.0 – 7.0 (0.19 – 0.27)	mm (in)
Stitch Length RN	3.0 – 5.0 (0.14 – 0.19)	mm (in)
Stitch Width	2.8 – 5.6 (0.11 – 0.22)	mm (in)
Maximum sewing speed	1300	Stitches per minute
Dimensions without Retractable Thread Guide	43 x 27 x 29 (16.92/10.62/11.41)	cm (in)
Dimensions with Slide-on Table / Cut-offs Bin	59 x 40 x 29 (23.22/15.78/11.41)	cm (in)
Weight of the machine	8.9 (19.6)	kg (lb)
Weight packaged	12.8 (28.2)	kg (lb)
Input voltage (energy consumption)	120 (80) / 230 – 240 (75)	V (W)
Protection class (Electrical Engineering)	II	
Date of manufacture	Visible on the type plate	



www.bernette.com/b62AIRLOCK

2022-01 EN
5040062.0.04

© BERNINA International AG
Steckborn CH, www.bernina.com