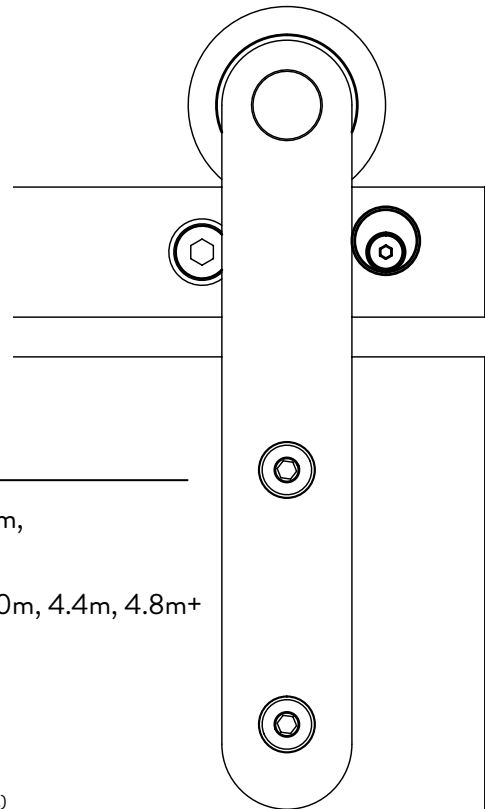


Flat

The Flat roller system is designed as a classic minimal design suited for a wide range of applications and styles.

Solid 70mm acetal wheels and a flat style roller bar which is manufactured in New Zealand using strong NZ steel finished in Dulux Powder Coating.



Finish

Track Options



MANNEX BLACK
MATT
9159056Z

Single Lengths: 1.5m, 1.6m, 1.8m, 2.0m, 2.2m, 2.4m,

Joined Lengths: 2.7m, 2.8m, 3.0m, 3.2m, 3.6m, 4.0m, 4.4m, 4.8m+

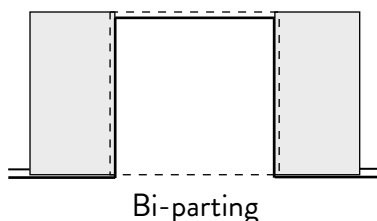
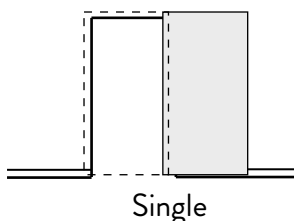
Use

Capacity

Interior

100Kgs per door (Custom solutions available for heavier doors)

Configurations



Options

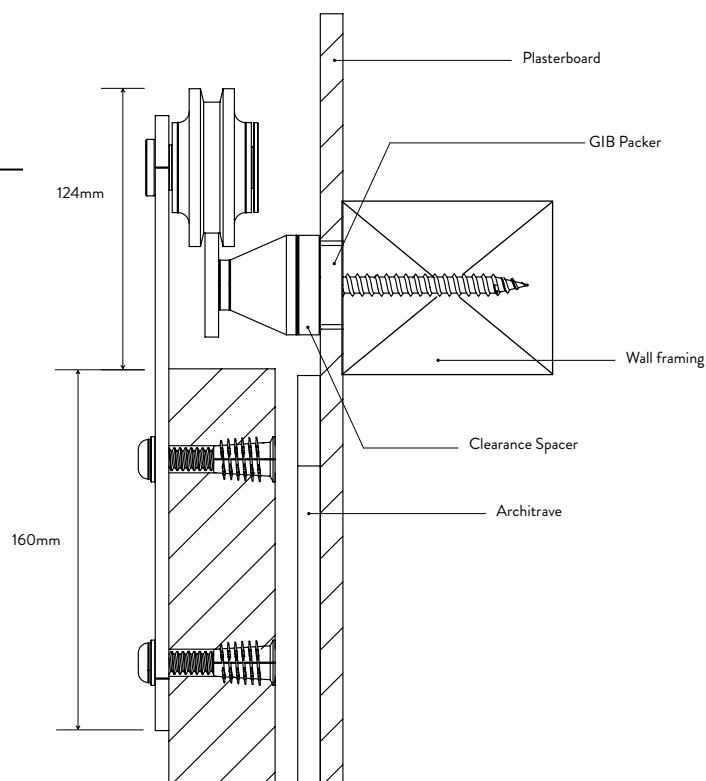
Soft Close Standard (suited for 20 - 50kg doors)

Soft Close Heavy Duty (suited for 50 - 100kg doors)

Clearance Spacers: Stackable 6mm and 10mm

GIB Packers: 10mm or 13mm

Floor or Wall mounted Door Guide



For enquiries contact barndoors@estrada.co.nz



The above product representation is subject to details and dimensions changes.
Actual products may vary from that displayed above. © 2022 Estrada Ltd. All Rights Reserved.