

# User's manual

16x16 HDMI matrix



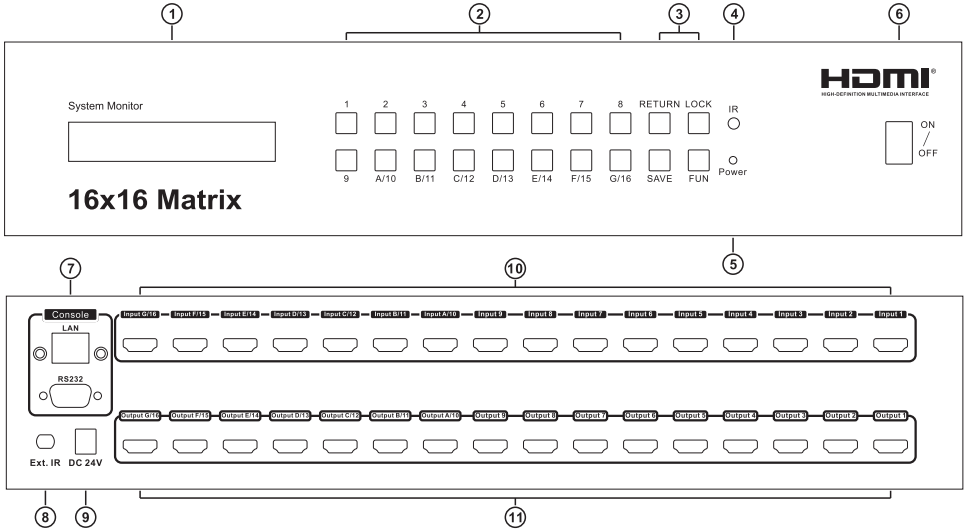
## **Introduction**

This 16x16 HDMI matrix routes 16 Ultra HD sources to 16 Ultra HD displays. Each source can be routed to any display, using the front-panel buttons or the IR Remote Control. The matrix can also be controlled via RS-232 or LAN port. With smart EDID management, make it compatible with most of the HDMI source and sink devices.

## **Features**

- Compliant with HDMI 1.4
- Compliant with HDCP 1.4
- Max. resolution up to 3840\*2160@30Hz
- Each HDMI output can share same input or select standalone input
- Supports PCM, Dolby AC3, DTS5.1, DTS7.1 and DSD audio format
- Smart EDID management, make it compatible with most display devices
- Matrix status could be memorized after power down, automatically restore previous matrix status after next power on
- Easy control matrix via IR receiver, front keypad and PC (via LAN or RS232 port)
- Easy to view connection status via LCD display
- Supports 8 configurable user preset connections
- Support rack mount installation
- Supports DVI-D single link sources and displays with the use of HDMI-to-DVI adapters

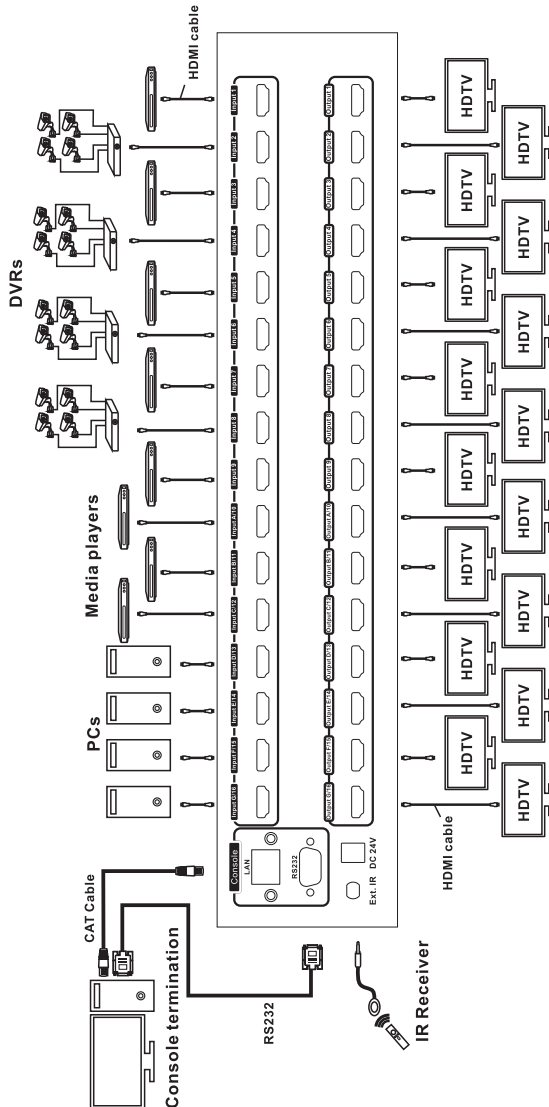
# Panel View



ID	Name	Description
1	24x2 LCD display	Display matrix routing status, and system settings
2	Port selection buttons	Input and output ports selection buttons
3	Function setting buttons	RETURN: Restore user preset routings SAVE: Save current routings as user preset LOCK: Lock and unlock the keypad FUN: Quick setting of N to N mirrored routing, N to all routing and Fan mode
4	IR	Receive IR remote signal
5	Power status	LED indicator of power status
6	Power switch	Turn on or off power supply
7	Console ports	LAN: Connect to local area network, control matrix with TCP/IP commands RS232: Connect to RS232 port, control matrix with RS232 protocol
8	Ext. IR	For extended IR receiver cable input
9	DC 24V	24V DC power supply

ID	Name	Description
10	Input ports	Input ports connect to source devices
11	Output ports	Output ports connect to display devices

## Connection Diagram



## Menu descriptions

Main menu:

```
Output:1 2 3 4 5 6 7 8
Input:1 2 3 4 5 6 7 8
```

```
Output:9 A B C D E F G
Input:9 A B C D E F G
```

Mirrored output setting menu:

```
Mirror connection?
1-1,2-2,3-3,...G-G
```

Input selection menu:

```
Enter input port number:
??-->Output
```

N to all selection menu:

```
Enter input port number:
??-->All
```

Save user preset connection menu:

```
Save connection to:
No:??
```

Restore user preset connection menu:

```
Restore connection from:
No:??
```

Fan mode setting menu:

```
FAN MODE: L1
1-OFF, 2-L1, 3-L2, 4-L3
```

## Change routing status

### 1. Route 1 input to 1 output:

Step 1: Select target output port:

Press front panel keypad [1]~[G/16] , or press IR remote buttons [1]~[9],[1+][0]~[6] in 'Output' block. Then you will see below menu:

```
Enter input port number:  
??-->Output
```

Step 2: Select target input port:

Press front panel keypad [1]~[G/16] , or press IR remote buttons [1]~[9] or [1+][0]~[6] in 'Input' block. Then you will see changed routing status menu.

### 2. Route 1 input to all outputs:

Step 1: Press front panel keypad button [FUN], or press IR remote button [ALL] in 'Output' block. Then you will see below menu:

```
Enter input port number:  
??-->All
```

Step 2: Select target input port:

Press front panel keypad [1]~[G/16] , or press IR remote buttons [1]~[9] or [1+][0]~[6] in 'Input' block. Then you will see changed routing status menu.

### 3. Mirrored routing:

Press front panel keypad [FUN] twice, you will see below menu:

```
Mirror connection?  
1-1, 2-2, 3-3, . . . G-G
```

Press front panel keypad [LOCK] to enter the setting, you will see the routing is changed to mirrored routing.

Or press IR remote button [NTN] in 'Input' block, the routing will be changed directly to mirrored routing.

### 4. Save routing status as preset routing

Save current routing status as preset routing, so you could restore the special routing more easier.

Press front panel keypad [SAVE] then buttons [1]~[8] to save up to 8 preset routing. Or press IR remote button [Save] then buttons [1]~[4] in scene block to save up to 4 preset routing.

## 5. Load routing status from preset routing

Fast restore the preset routing from previous saved routing.

Press front panel keypad [RETURN] then buttons [1]~[8] to fast restore previous saved routing. Or press IR remote button [Load] then buttons [1]~[4] in scene block.

## System settings

### 1. Lock/ unlock front panel keypad

Press front panel keypad [LOCK] to lock the keypad so as to prevent the settings be changed by unintentional touch.

Press front panel keypad [LOCK] again to unlock the keypad if the keypad is under locked status.

### 2. Fan mode control

Press front panel keypad [FUN] key three times then you will see below menu.

FAN MODE: L1  
1-OFF, 2-L1, 3-L2, 4-L3

**1-OFF:** Press button [1] to turn off the fan.

**2-L1:** Press button [2] to set the fan mode to L1, the fan will be working for 45 seconds per 5 minutes.

**3-L2:** Press button [3] to set the fan mode to L2, one of the fans will be always working, and the other stop.

**4-L3:** Press button [4] to set the fan mode to L3, two of the fans will be always working.

If you need the RS232/LAN protocol and control application software, please get in touch with our sales.

## **PACKING LIST**

- 1 \* HDMI Matrix 16x16
- 1 \* Remote control
- 1 \* IR Receiver cable
- 2 \* Rack-ears
- 1 \* DC 24V Power Adapter
- 1 \* User manual