

HDMI KVM Switch

# USER MANUAL

ENJOY THE VIVID WORLD

HDMI•KVM



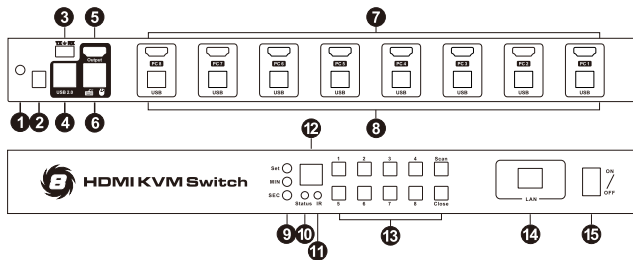
## Features :

- Using only 1 set of keyboard, mouse and monitor to control 8/16 host devices
- Support Unix/Windows/Debian/Ubuntu/Fedora /Mac OS X/Raspbian/Ubuntu for Raspberry Pi and other Linux based system
- With EDID emulators in every input ports, keep PCs always have correct display information
- Support hot plug, connect or disconnect devices to the HDMI switch in any time and without turn off devices
- Support auto switching to monitor computers in a specified time interval
- Support front panel buttons, IR signals, keyboard hot keys, RS232 serial commands or IP commands to control KVM switch
- Support resolution up to 3840\*2160@30Hz
- Auto input detect and switch
- With extra standard USB 2.0 hub port, it is possible to connect bar code scanner, USB hard drive or other USB devices to KVM just as you have plug these devices directly to computer.
- Support DVI-D single link sources and displays with the use of HDMI-to-DVI adapters

## Packing List:

- 1 \* HDMI KVM Switch
- 1 \* DC 12V Power Adapter
- 1 \* IR Remote Control
- 1 \* IR Receiver Cable
- 1 \* 3 Pins Connector (For RS232)
- 2 \* Rack-ears
- 1 \* User's manual

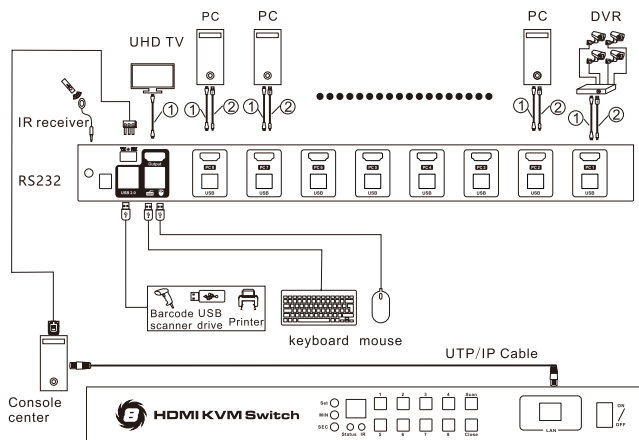
## 8x1(A30) Panel Description:



ID	Name	Description
1	IR In	Connect IR receiver extension cable to this port, then it is able to use IR control even the KVM switch is installed in a rack
2	DC 12V	12V DC power supply
3	RS232 port	Connect this port to any control termination, then it is able to select the input sources by sending RS232 commands
4	USB 2.0 port	For USB 2.0 devices, for example printers, USB hard disk, barcode scanner, touch pad etc
5	HDMI output	Connect to HDMI display
6	USB keyboard and mouse input	For USB keyboard and mouse input, including wireless keyboard and mouse
7	HDMI input ports	Connect to HDMI sources devices

ID	Name	Description
8	USB data	Connect to computer's USB ports by USB type A to type B cable
9	Auto scan time interval settings	<p><b>[MIN]</b>: Press button <b>[MIN]</b> to loop between 0~59 minutes</p> <p><b>[SEC]</b>: Press button <b>[SEC]</b> to loop between 0~59 seconds</p> <p><b>[Set]</b>: After setting minutes and seconds, press button <b>[Set]</b> to enter final scan time interval setting</p>
10	Status LED	<p><b>Red</b>: Normal status</p> <p><b>Green</b>: Auto scanning mode</p>
11	IR receiver	Receive IR signal
12	LED display	Display current selected input source number
13	Keypad	<p><b>[1~8]</b>: Press these buttons to directly select input 1~8 sources.</p> <p><b>[Close]</b>: Press this button directly will turn on or turn off the HDMI output display</p> <p><b>[Scan]</b>: Press this button to start or stop automatically scan between input 1 to input 8. The interval time can be set by button <b>[Set]</b>, <b>[MIN]</b>, <b>[SEC]</b> as described above</p>
15	Power switch	Turn on or off the power supply

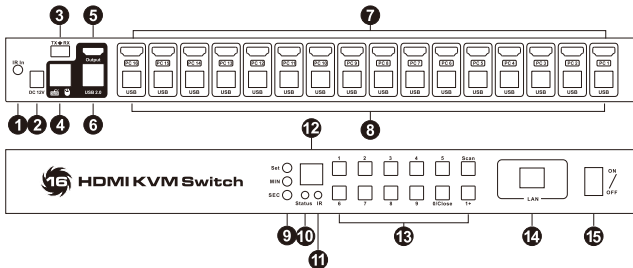
## 8x1(A30) Connection Diagram :



Note:

- ① HDMI Cable
- ② USB type A to type B cable

## 16x1(A10) Panel Description :

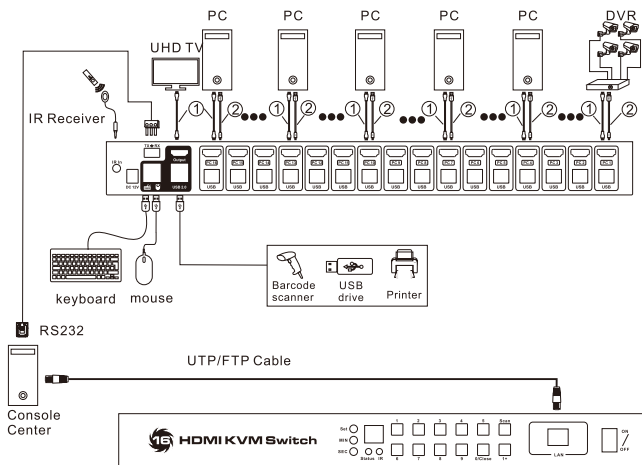


ID	Name	Description
1	IR In	Connect IR receiver extension cable to this port, then it is able to use IR control even the KVM switch is installed in a rack
2	DC 12V	12V DC power supply
3	RS232 port	Connect this port to any control termination, then it is able to select the input sources by sending RS232 commands
4	USB keyboard and mouse input	For USB keyboard and mouse input, including wireless keyboard and mouse
5	HDMI output	Connect to HDMI display
6	USB 2.0 port	For USB 2.0 devices, for example printers, USB hard disk, barcode scanner, touch pad etc
7	HDMI input ports	Connect to HDMI sources devices

ID	Name	Description
8	USB data	Connect to computer's USB ports by USB type A to type B cable
9	Auto scan time interval settings	<p><b>[MIN]</b>: Press button <b>[MIN]</b> to loop between 0~59 minutes</p> <p><b>[SEC]</b>: Press button <b>[SEC]</b> to loop between 0~59 seconds</p> <p><b>[Set]</b>: After setting minutes and seconds, press button <b>[Set]</b> to enter final scan time interval setting</p>
10	Status LED	<p><b>Red</b>: Normal status</p> <p><b>Green</b>: Auto scanning mode</p>
11	IR receiver	Receive IR signal
12	LED display	Display current selected input source number
13	Keypad	<p><b>[1~9]</b>: Press these buttons to directly select input 1~9 sources.</p> <p><b>[0/Close]</b>: Press this button directly will turn on or turn off the HDMI output display; Press <b>[1+]</b> then <b>[0/Close]</b> to select input 10</p> <p><b>[1+]</b>: Press <b>[1+]</b> then <b>[1]~[6]</b> to select input 11~16</p> <p><b>[Scan]</b>: Press this button to start or stop automatically scan between input 1 to input 8. The interval time can be set by button <b>[Set]</b>, <b>[MIN]</b>, <b>[SEC]</b> as described above</p>
15	Power switch	Turn on or off the power supply



## 16x1(A10) Connection Diagram :



### Note:

- ① HDMI cable
- ② USB type A to type B cable.

## Basic Operation :

### 1. Port selection

#### 1.1 Use front panel keypad

**8x1(A30):** Directly press button [1]~[8] to select input ports 1~8

**16x1(A10):** Directly press button [1]~[9] to select input ports 1~9, press [OUT] then [0/Close], [1]~[6] to select input ports 10~16.

#### 1.2 Use IR remote control

**8x1(A30):** Press [1/A], [2/B]~[8/H] directly to select input ports 1~8;

**16x1(A10):** Press [1/A], [2/B]~[9/I] directly to select input ports 1~9;

Press [1/A], then press [0],[1/A]...[6/F] within 2 seconds to select input 10-16.

#### 1.3 Use keyboard hot keys

**8x1(A30):** Press keyboard [Scroll lock] key two times then press [1]~[8] within 2 seconds to directly select input ports 1~8;

**16x1(A10):** Press keyboard [Scroll lock] key two times, then press [1] and wait around 2 seconds to select input 1;

**16x1(A10):** Press keyboard [Scroll lock] key two times then press [2]~[9] within 2 seconds to directly select input ports 2~9;

**16x1(A10):** Press keyboard [Scroll lock] key two times then press [1] then press [0]~[6] within 2 seconds to select input ports 10~16.

**8x1(A30)&16x1(A10):** Press keyboard [Scroll lock] key two times then press [Page Up] / [Page Down] to select previous or next port.

## 2. Turn on/off auto input detection and switch

Press button [M] on remote control to turn on/off the auto input detection.

### Auto input detection and switch mode on:

When plug new HDMI input source to the KVM switch or power on the HDMI input source, the KVM switch will automatically select the input port that is connected to this input source.

When unplug or power off the HDMI input source, the KVM switch will switch to the input port which is last plug in or last powered on HDMI input source.

### Auto input detection and switch mode off:

When plug new HDMI input source to the KVM switch or power on the HDMI input source, the KVM switch would not do anything, also not when unplug or power off HDMI input source.

## 3.1 IR remote control

Press button [≡] on remote control to mute or unmute buzzer.

## 3.2 Keyboard hot keys

Press keyboard [Scroll lock] key two times then [F11] to mute or unmute buzzer.

## 4. Turn on/off auto scan mode

### 4.1 Front panel key pad

Press [Scan] button to start auto scanning, then the KVM will automatically loop among all the powered on input sources with a specified time interval, press [Scan] again to stop scanning.

## 4.2 IR remote control

Press [P] button to start auto scanning, then the KVM will automatically loop among all the powered on input sources with a specified time interval, press [P] again to stop scanning.

## 4.3 Keyboard hot keys

Press keyboard [Scroll lock] key two times then press [Space] key within 2 seconds to start auto scanning, the KVM will automatically loop among all the powered on input sources with a specified time interval, press [Esc] key to stop scanning.

## 5. Setup time interval of auto scan mode

Press front panel button [MIN] to loop between 0~59 minutes.

Press front panel button [SEC] to loop between 0~59 seconds.

After setting minutes and seconds, press button [Set] to enter final scan time interval setting.

## 6. The use of mouse gesture switching

Press keyboard [Scroll lock] key two times then press [F12] key within 2 seconds to turn on or turn off mouse gesture switching.

When mouse gesture switching mode is on, move mouse pointer to hit left or right bound of the screen within 1 second, the KVM will switch to previous or next input source.

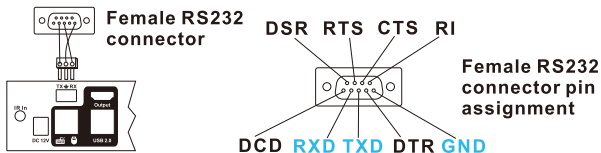
## Use of RS232 and LAN port :

The RS232 and LAN ports are used for selecting input source only, could not transfer keyboard and mouse data or even the video and audio, this is a redundant design for some special application when you want to switch the input sources by a termination control devices. Normally you could switch the input source by front panel keypad, IR remote control or keyboard hot keys.

**For the software application packages or the API document for the RS232 and LAN port please contact with our sales. (Only for windows system)**

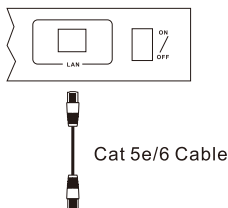
### 1. Connect RS232 port

Follow below diagram to connect the standard 9 pin RS232 port to the 3 pins connector which is included in package, then plug the connector to the KVM TX=RX port.



### 2. Connect LAN port

Follow below diagram to connect the LAN port to local area network router or directly to PC with Cat5e/6 UTP cable.



**Connect to local area network router or directly to PC**

## **Warranty Information :**

We warrant this product as free of defects in material and workmanship for a period of one (1) year from the date of shipment.

If during the period of warranty this product proves defective under normal use, we will repair or replace this product, provided that this product has not been subjected to mechanical, electrical, or other abuse or modifications. If it fails under conditions other than those covered will be repaired at the current price of parts and labor in effect at the time of repair. Such repairs are warranted for six (6) months from the day of reshipment to the buyer.