

# SUPPORT MANUAL

---

TESmart 4-Port Grey KVM HDMI  
Video Switch, 4K 60Hz UHD,  
Audio Output, USB Sharing

**HKS0401A1U-G**

# INTRODUCTION

---

This 4x1 HDMI 2.0 KVM Switch provides you with great flexibility in integrating cross-platform computer equipment easily.

It makes you available to switch easily and reliably between any HDMI computers using one HDMI compliant display.

The 4x1 HDMI 2.0 KVM Switch supports USB 2.0 hub and USB 2.0 keyboard /mouse. By using USB 2.0 hub ports on the KVM, you even can attach USB drive, printer, barcode scanner or other USB devices to the KVM.

Switching can be controlled through variable methods, such as the front panel source selector buttons, IR signals and hot keys on keyboard.

With EDID emulators in every input ports, keep PCs always have correct display information, prevent display settings changed while switching input ports. Support analog L/R audio output.



# FEATURES

---

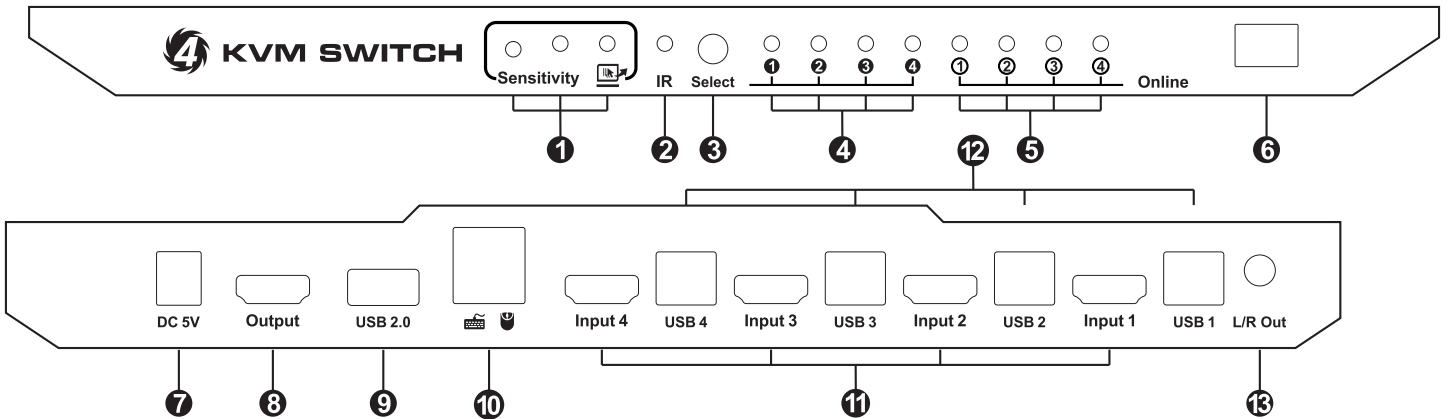
- Using only 1 set of keyboard, mouse and monitor to control 4 computer devices.
- Available to use keyboard without any delay after switch input sources.
- Support hot key commands and mouse gesture to switch inputs.
- Support resolution up to 3840\*2160@60Hz 4:4:4
- Compliant with HDMI 2.0 and HDCP 2.2
- Support USB 2.0 for printers, USB drives etc.
- With EDID emulators in every input ports, keep PCs always have correct display information.
- Support front panel buttons, IR signals, keyboard hot keys to control KVM switch.
- Supports Unix, Windows, Debian, Ubuntu, Fedora, Mac OSX, Raspbian, Ubuntu for Raspberry Pi and other Linux based systems.
- Support auto switching among all devices so as to monitor the devices in a specified time interval.
- Support hot plug, connect or disconnect devices to the KVM switch in any time and without turn off devices.
- Support analog L/R audio output.
- Support HDR 10 and Dolby Vision.

# PACKING LIST

---

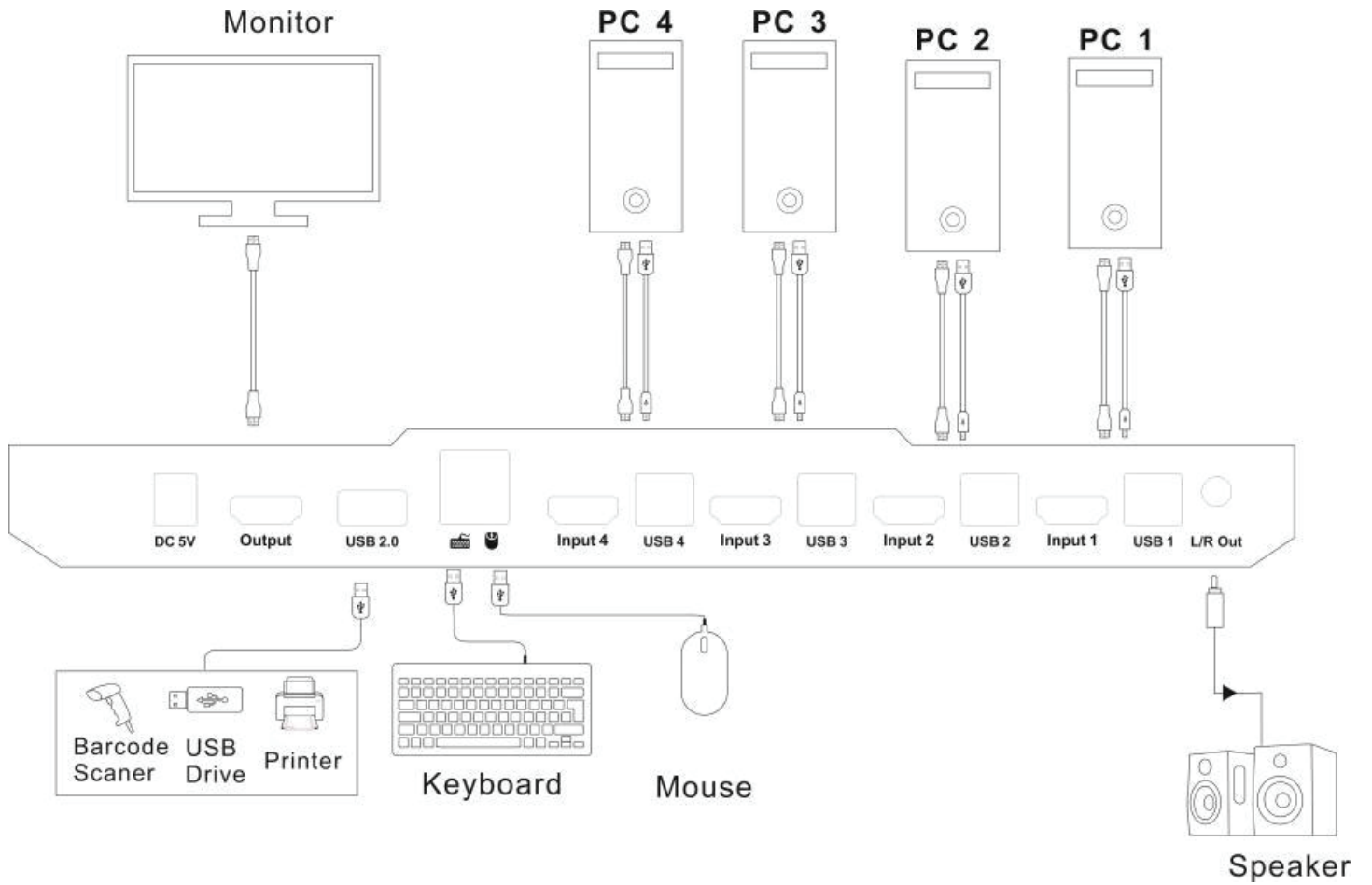
- 1 x 4x1 HDMI 2.0 KVM Switcher
- 1 x DC 5V Power Adapter
- 1 x IR Remote Control
- 2 x 5' KVM Cables
- 1 x User manual

# PANEL DESCRIPTION



ID	Name	Description
1	Mouse gesture switching status and sensitivity adjust	The LED will be lit if the mouse gesture is turn on. Press the button to adjust the sensitivity among 500ms, 750ms, 1000ms, 1250ms, 1500ms.
2	IR receiver	Receive IR remote signal
3	Input selection button	Select input source
4	Input selection status	Indicate current active selected input source
5	USB connection status	The corresponding LED will be lit if the USB data port is well connected to the computer and the computer is on.
6	Power switch	Turn on or off power supply
7	DC 5V input	DC5V power supply
8	HDMI output	Connect to HDMI display
9	Standard USB2.0 port	Connect to USB 2.0 devices, printers, USB drives
10	Keyboard and mouse input	Connect to keyboard and mouse
11	HDMI input ports	Connect to HDMI source devices
12	USB data ports	Connect to computer USB ports.
13	L/R audio output	Analog L/R audio output

# CONNECTION DIAGRAM



# SPECIFICATION

<b>HKS0401A1U-G</b>	<b>4x1 HDMI 2.0 KVM Switch</b>	
<b>Functionality:</b>		
Auto Scan	Yes	
Port selection	Front panel buttons	Yes
	Keyboard hotkeys	Yes
	IR remote control	Yes
<b>Technical:</b>		
Resolution	Up to 3840x2160@60Hz 4:4:4	
HDMI version	2.0	
Auto to get EDID	Yes	
Data rate	18 Gbps	
Auto scan interval	1~250 Seconds	
Beep Sound	On/Off	
OSD	No	
Supported OS	Unix/Windows/Debian /Ubuntu /Fedora /Mac OS X/ Raspbian /Ubuntu for Raspberry Pi and other Linux based system	
Console ports	Keyboard emulation	1 * USB Type A
	Mouse emulation	1 * USB Type A
	USB 2.0 Hub ports	1 * USB Type A
	Video /Audio	1 * HDMI Type A
System ports	USB Data	4 * USB Type B
	L/R Audio output	1 * AUX
	Video / Audio	4 * HDMI Type A
ESD protection	Human body model - $\pm 8kV$ (Air-gap discharge)	
<b>Mechanical:</b>		
Chasing material	Aluminum Alloy	
Product dimensions	300 (L) x 117 (W) x 30w (H) mm	
Item weight	800g	

# HOW TO USE

---

- 1- Setup the connection according to the connection diagram.
- 2- After all the PCs are started in step 1, you can switch to any PC by keyboard hotkeys, IR keys or the keypad on the KVM front panel.

For example, if you want to control the PC connected to HDMI IN 2 just press the "Select" button on the front panel or press digit button "2" on the remote control or also the keyboard hotkey commands.



# KEYBOARD HOT KEYS

- 1- Hit SCROLL LOCK twice within 2 seconds, the buzzer will beep twice.
  - 2- After step 1 enter the following Hot Key command within 3 seconds.
- The KVM will execute the corresponding command.

Known issue: Apple Keyboard is not supported yet.



**Previous port**



**Next port**



**Auto Switching**

**Note:** Default auto switching time interval is 6 seconds. You are able to change this value by following the Hot Key commands.



**Increase or decrease auto switching time interval.**

**Note:** 1 second per step.



**Select port by port number**



**Enable or disable buzzer sound**



**Enable or disable fast switch mode.**

If fast switch mode is enabled then double hit left or right bound of the screen with mouse pointer in 1 second, KVM will switch to previous or next PC.

# CONTACT

---

Thank you for purchasing the TESmart 4-Port KVM HDMI Video Switch.

We are here to help you!

Do you need assistance setting up your product?

Please make sure you visit:

- <https://buytesmart.com> for more details and product information
- <https://buytesmart.com/apps/help-center> for support knowledge base and Frequently Asked Questions.

A solid orange vertical bar is positioned to the left of the contact information.

**BuyTESmart**

<https://buytesmart.com>

[contact@buytesmart.com](mailto:contact@buytesmart.com)