



The NANUK Lid Organizer

The NANUK Lid Organizer is the ideal organization and convenience accessory to add to your case. The molded interior is designed to help keep your hardware, power cords and accessories entirely organized and in-view. The lid organizer includes a set of mounting screws for easy, stress-free installation. Features include three zippered and anti-tear compartments of various sizes for lots of gear storage.



Zippered & anti-tear compartments



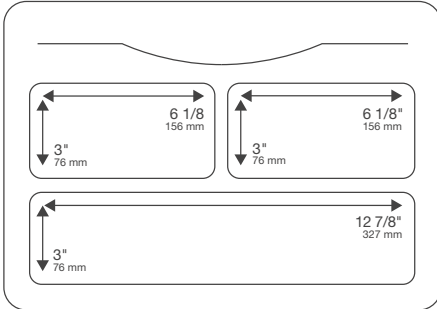
The molded interior has been engineered to protect and maximize gear storage in the case



Keep your hardware and accessories organized

Suggested uses:

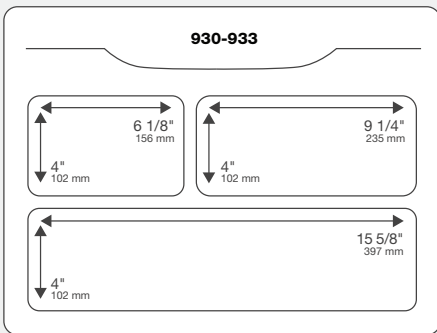
- Camera accessories
- Video accessories
- Tools
- Memory cards
- Cables
- Lens and body caps
- Light meters
- Cleaning equipment
- Gaffer tape
- Chargers
- Camera triggers
- Microphones
- LCD hoods and shades
- Sunglasses
- And many other accessories



NANUK 920

Weight: 1.25 lbs
Dimensions: 15 3/4" x 11 1/4"

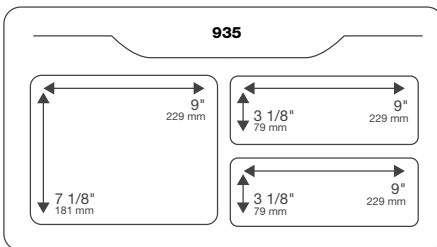
* Padded divider and case sold separately



NANUK 930 | 933

Weight: 1.74 lbs
Dimensions: 19" x 14 1/4"

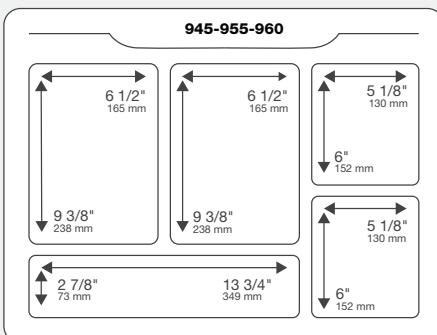
* Padded divider and case sold separately



NANUK 935

Weight: 1.69 lbs
Dimensions: 21" x 12 1/4"

* Padded divider and case sold separately



NANUK 945 | 955 | 960

Weight: 2.8 lbs
Dimensions: 23" x 18"

* Padded divider and case sold separately

