



Groplanner LED Grow Lights
Help You Get More of What You Plant

If you need more information about our lights,
please email us or call us

Email: sales@hi-groplanner.com
Toll-free number: +1(855) 688 7879



User Manual



LED GROW LIGHT
www.hi-groplanner.com

LED GROW LIGHT

Groplanner O Series



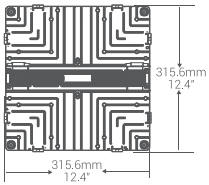
FEATURES & SPECIFICATIONS

The Groplanner O series LED grow light features a full-spectrum similar to the sun which is true high efficient lighting from seedling to harvest, and is an ideal choice for hobbyist and commercial growers. The excellent design of this fixture makes larger heat dissipation area and faster heat conduction, let alone this series of lights supports the intelligent control with WiFi capability. With the Groplanner LED grow light, you'll enjoy a faster and intelligent growth.

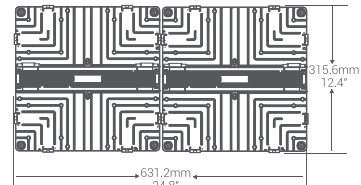
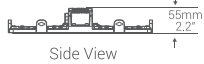
Model	LS-GLO-100W	LS-GLO-150W	LS-GLO-200W	LS-GLO-300W
Power Draw	100W	150W	200W	300W
Lumens	17000LM	25500LM	34000LM	51000LM
PPF	275 μ mol/s	412.5 μ mol/s	550 μ mol/s	825 μ mol/s
Model	LS-GLO-400W	LS-GLO-450W	LS-GLO-600W	
Power Draw	400W	450W	600W	
Lumens	68000LM	76500LM	102000LM	
PPF	1100 μ mol/s	1237.5 μ mol/s	1650 μ mol/s	
Light Efficacy	170LM/W			
PPE	2.75 μ mol/J			
Spectrum	660nm, 3000K, 5000K, IR 760nm (Full Spectrum)			
Housing Material	Die-casting aluminum			
Finishing	Powder Coating			
Surge Protection	4KV			
Input Voltage	100-277VAC			
Frequency	50/60HZ			
Beam Angle	120°			
Dimming	20% - 100% (App control)			
Lifespan	> 60,000hours			
Warranty	36 months			

LED GROW LIGHT

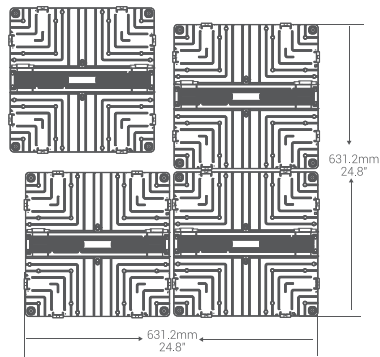
DIMENSIONS



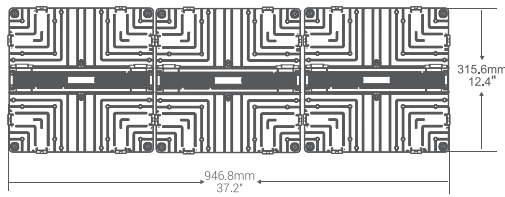
100W/150W(G.W:8lbs)



200W/300W(G.W:18lbs)



400W/600W(G.W:35lbs)



450W(G.W:26lbs)

WARNING

READ THOROUGHLY BEFORE INSTALLATION

WARNING! FIXTURES MUST BE GROUNDED and installed in accordance with the National Electrical Code and all local codes. Failure to do so may increase the **RISK OF PERSONAL INJURY, PROPERTY DAMAGE, FIRE AND DEATH.**

WARNING! Dangerous voltage exist within the unit and all precautions usually observed in handling high voltage equipment should be observed when replacing light engine or otherwise servicing luminaires. Disregarding this warning could result in electrical shock and possible injury to the individual installing or servicing this equipment. Installation, service and maintenance of luminaires should be done by a qualified licensed electrician

CAUTION! To reduce the risk of death, personal injury or property damage from fire, electric shock, falling parts, cuts/abrasions, and other hazards please read all warnings and instructions included with and on the fixture box and all fixture labels.

LED GROW LIGHT

NOTE

- This equipment is only for professional installation. Non-professional personnel shall not remove or install the equipment.
- To avoid damage, falling, electric shock or fire, please do not modify the lamp or replace accessories without confirming with the supplier.
- Maintenance/ installation and replacement the lamps, please confirm to cut off the proper supply, and the lamps have set up a cooling. Please make sure the lamps properly installed before processing power.
- Ensure the accurate and reliable connection.
- Ensure that the product around the vent. the lamp cannot violate any fire prevention regulations when using.

Carefully read these instructions before installing product and keep it for future reference. If you do not understand these instructions, before starting any work, contact sales@hi-groplanner.com or (855) 688-7879.

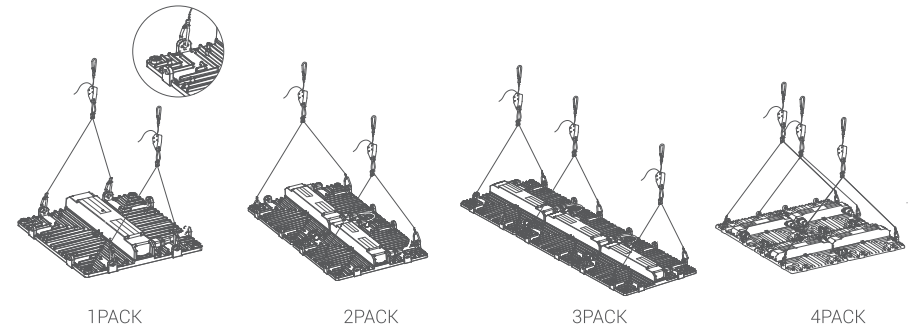


Please follow the operating steps below before installation

- Step 1 Connect the grow lights to the WiFi network via phone app;
- Step 2 Module splicing the grow lights (If needed);
- Step 3 Hang the grow light on the tent or ceiling.

INSTALLATION

- Attach 4 small carabiners to 4 holes on back side of the light and connect with adjustable lifting rope, then plug the power cord to the socket.



1PACK

2PACK

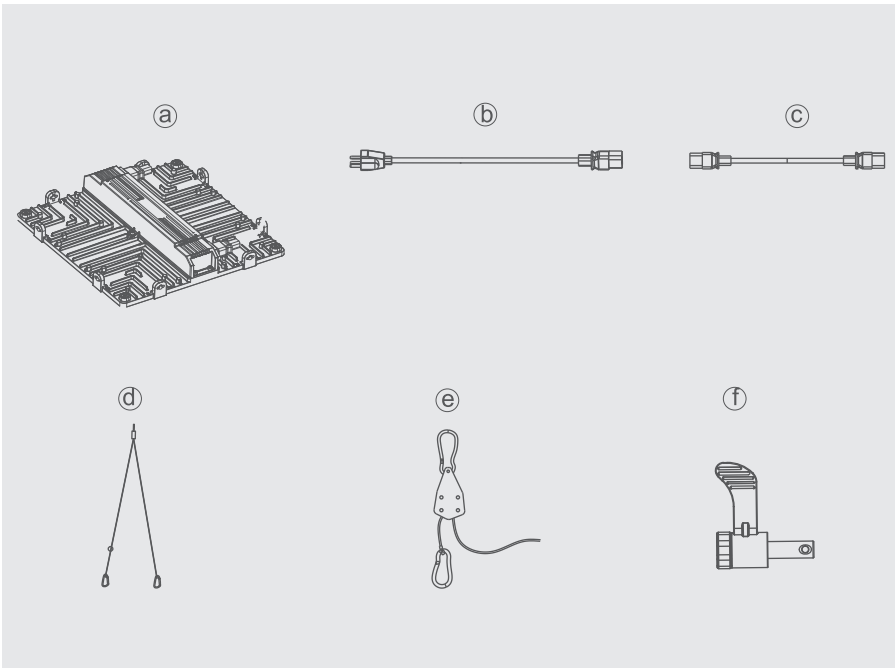
3PACK

4PACK

LED GROW LIGHT

LIST OF GROW LIGHT ACCESSORIES

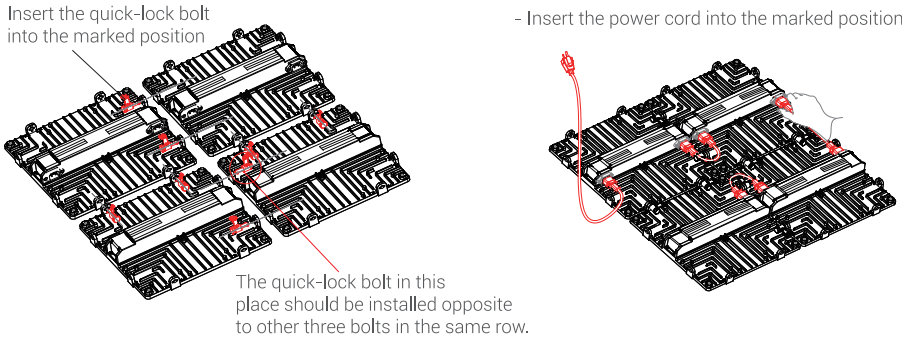
- a. LED grow light fixture
- b. Input power cord (6.5ft)
- c. Daisy chain cord
- d. Hanging cords with carabiners
- e. Adjustable pulley systems (6.5ft)
- f. Quick-lock bolt



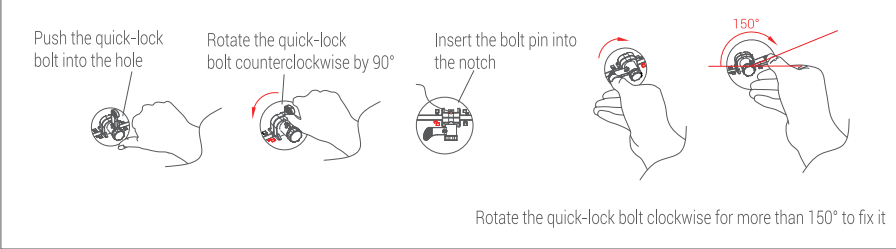
Accessories	Wattage	100W/150W	200W/300W	450W	400W/600W
(a) Lamp body		1PACK	2PACK	3PACK	4PACK
(b) Input power cord (6.5ft)		1	1	1	1
(c) Daisy chain cord		0	1	2	3
(d) Hanging cords with carabiners		2	4	6	8
(e) Adjustable pulley systems (6.5ft)		2	4	6	8
(f) Quick-lock bolt		0	2	4	8

LED GROW LIGHT

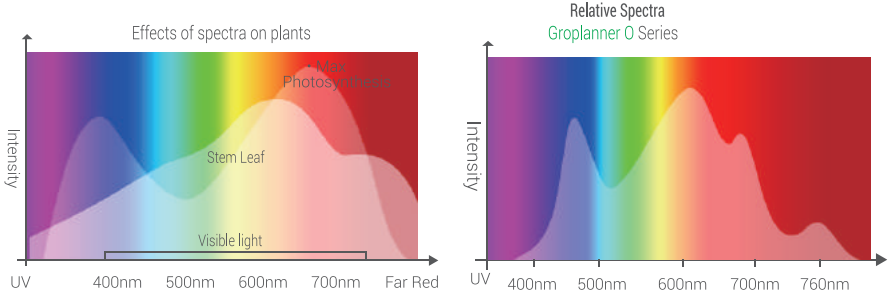
CONNECTION



▲ NOTE: The maximum wattage is 900W for daisy-chained fixture



SPECTRUM



- Light from 400 to 520nm (blue) and 610 to 720nm (red) contributed the most to photosynthesis.

LED GROW LIGHT

PLANTING GUIDANCE

SUGGEST HANGING DISTANCE

- Seedling: 24 inch
- Germination: 24 - 30 inch
- Vegetative: 18- 24 inch
- Flowering: 12- 18 inch

SUGGEST LIGHTING TIME

- Vegetative: 18 hours ON
- Flowering: 12 hours ON

WATTAGE	Veg. coverage	Flower coverage	Expected yield
100W	2.5x2.5ft	2x2ft	≈0.6lbs
150W	3x3ft	2.5x2.5ft	≈0.9lbs
200W	3x4ft	2x4ft	≈1.2lbs
300W	3x5ft	3x4ft	≈1.8lbs
450W	3x6ft	3x5ft	≈2.7lbs
600W	6x6ft	5x5ft	≈3.6lbs

WARRANTY

Subject to the terms and conditions specified in this Limited Warranty, Groplanner Lighting, a LED light fixture company, warrants that lights purchased directly from Groplanner will be free from defects in material and workmanship until the earlier of 36 months from the date of purchase.

TERMS AND CONDITIONS:

1. The products can be returned within 30 days from the date of receipt, but please also ensure the integrity of the products and the return will not affect their secondary sales. The used or installed products can't be returned due to non-quality problems (dislike or no longer need). If there is any objection, please contact the seller;
2. If there are any quality problems in 30 days to 1 year from the date of receipt of the product, please contact Groplanner with photos or videos of showing product problems, and Groplanner will cover all warranty costs (including replacement, maintenance and shipping cost);
3. If there are any quality problems over one year from the date of receipt, please contact Groplanner for warranty with photos or videos of showing product problems and Groplanner will provide maintenance services. The seller shall bear the relevant expenses, and the specific expenses shall be subject to the seller's instructions.
4. If the malfunction or damage of the products is caused by transportation, the buyer needs to contact us and provide evidence (video & pictures) within 15 days from the date of receiving. Providing the buyer fails to do so or no longer replies us in 15 days after contact, the buyer will be responsible for any loss.

LED GROW LIGHT

HOW TO MAKE A WARRANTY CLAIM

1. In order to make a warranty claim, you must notify groplanner lighting in writing after your discovery of the defect, provide proof of purchase such as the order number and comply with other warranty requirements. Upon receiving that notice, to ascertain why fixtures stop working, evidences would be needed for groplanner lighting's team to analyze. Groplanner Lighting may require you to promptly return the product when necessary, freight prepaid.
2. The determination of whether the product is defective shall be made by Groplanner Lighting in its sole discretion with consideration given to the overall performance of the product.
3. If Groplanner Lighting determines the product is defective, Groplanner Lighting will elect, in its sole discretion, repair the product or replace the product. The seller has the sole right to interpret and amend the above articles.

NOTE:

All returns must happen within 30 days of the receipt of that product or hi-groplanner.com has the right to refuse the return.

1. Guidelines for items conditional return:
2. Item must be in original packaging;

THE FOLLOWING CONDITIONS WILL NOT BE WARRANTED:

1. Damage caused by user's improper delivery, defects caused by wrong operation and wrong treatment.
2. Dismantling or improper maintenance or repairing of the products without Groplanner's authorization.
3. Damage caused by buyer or installer using bad quality cable or other mismatching electronic parts.
4. Damage caused by force majeure such as war, riots, sabotage, cyclones, earthquakes, flooding, lighting strikes, explosions, fire, etc.
5. This warranty is invalid if the product is not used for the purpose for which is originally designed.

The seller has the sole right to interpret and amend the above articles.

LED GROW LIGHT



AFTER-SALES SERVICE CARD

Web: hi-groplanner.com Email: service@hi-groplanner.com Tel: +185516887879

If you need any help or have any questions, please contact us.

Order Number: _____ Light Model: _____

Name: _____ Email: _____

Problem: _____ Date Of Manufacture: _____