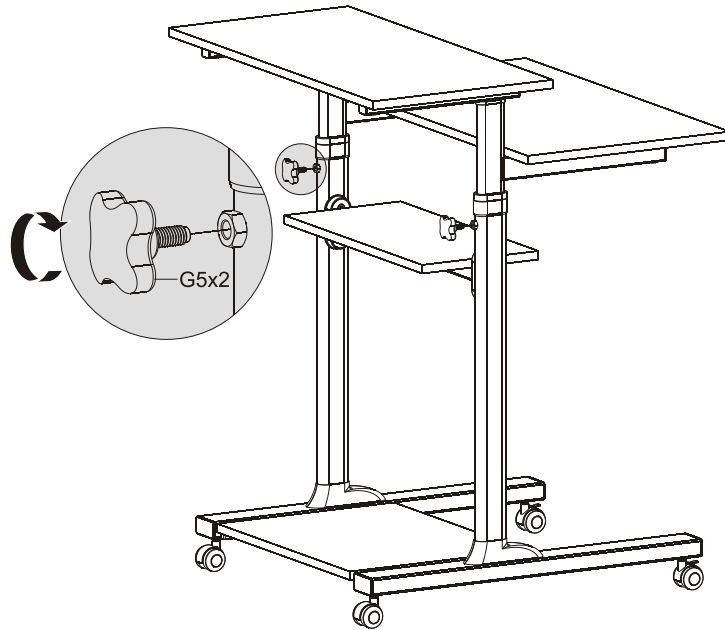
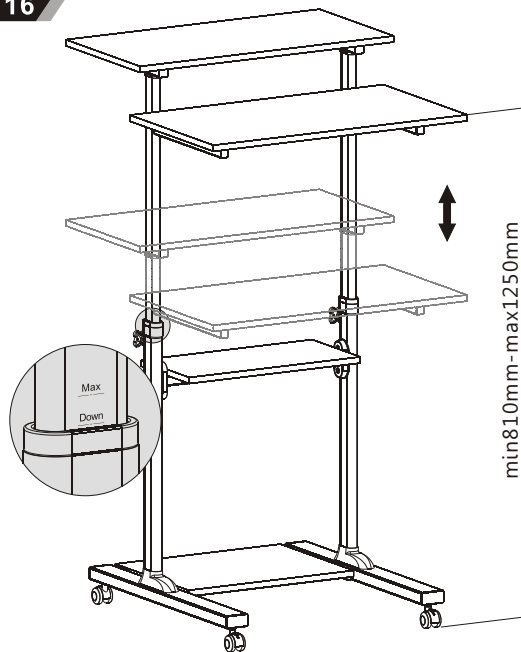


15



16

**HOW TO ADJUST HEIGHT**

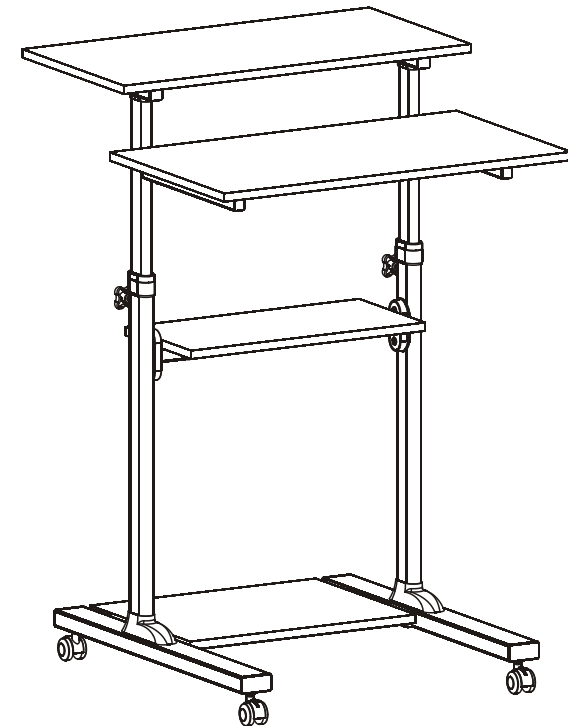
Worktable can be adjusted to the desired height by pulling up, until you hear sound "KA" from both legs of worktable. Then the worktable is fixed on this height.

**HOW TO LOWER HEIGHT**

Pull up worktable directly to the top, until you see mark "down" on the leg of worktable, then lower it slowly to the most bottom, until you hear sound "KA" from both legs of worktable. Then pull up to the right height.

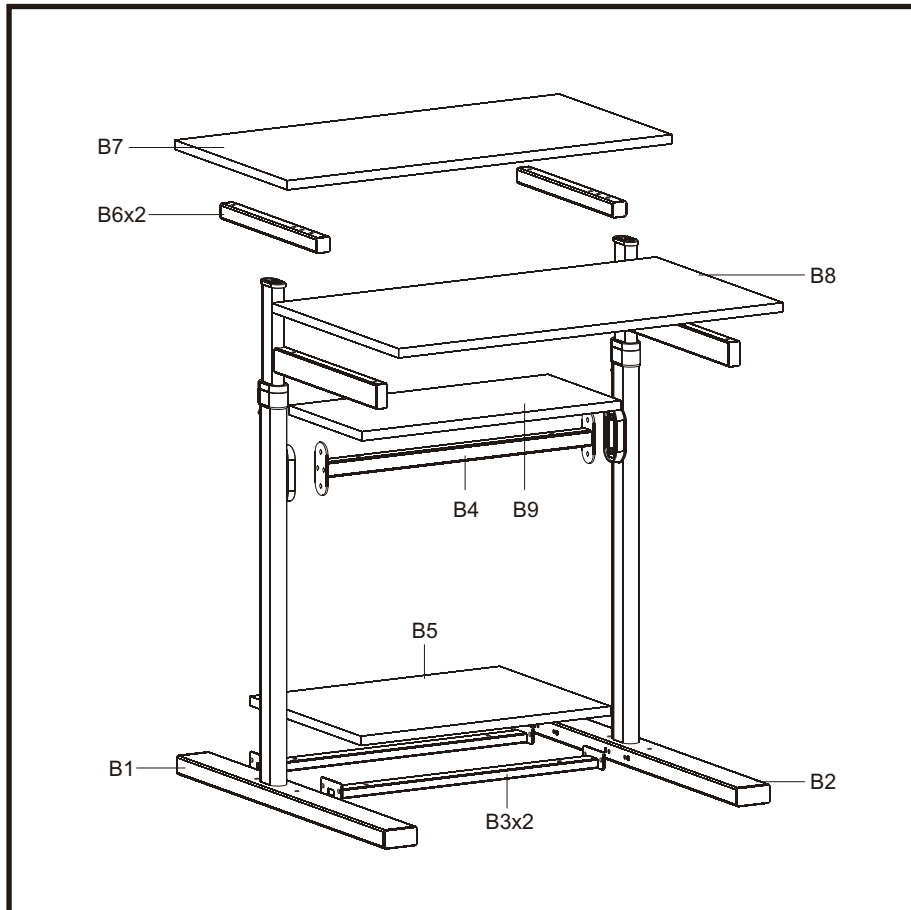
**NOTE:**













1. Loosen the knobs to adjust the worktable to the desired height, then tighten the knobs to secure.
2. Please do not put anything on the worktable when adjusting the worktable height.
3. Make sure both legs of worktable are at same height while finished height adjustment.
4. Make sure you hear sound "KA" while you adjust worktable to your desired height. This means the worktable is fixed at the height; If without this sound, it means the worktable is not fixed at this height.
5. "MAX" mark on the leg means the max height which worktable can be fixed.

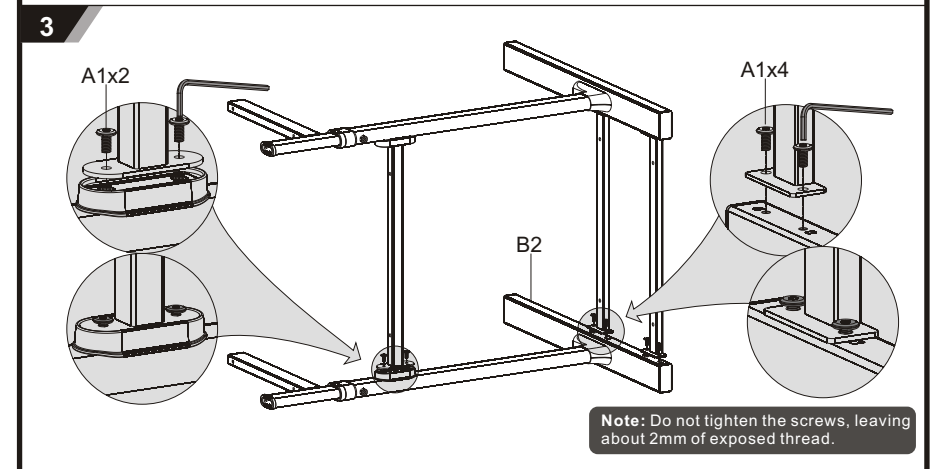
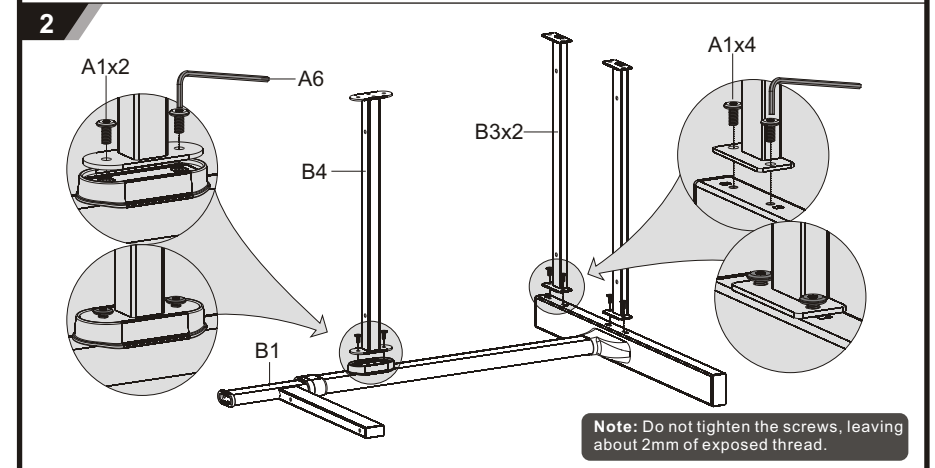
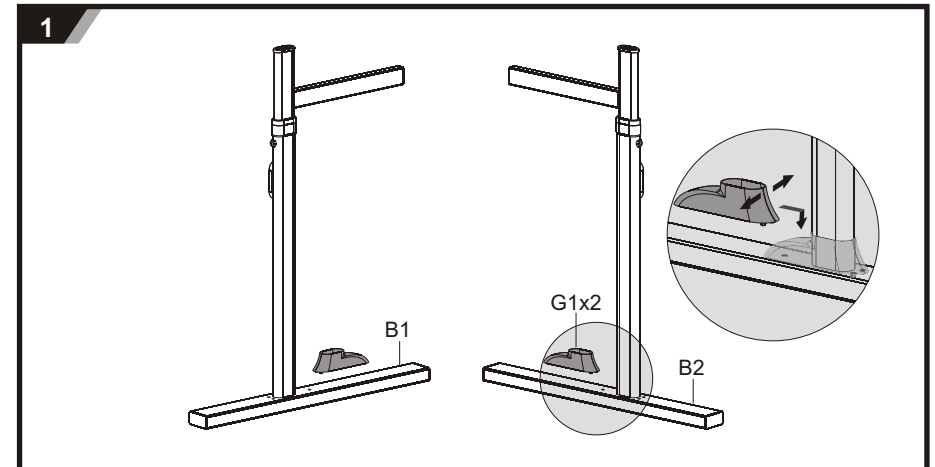


# Mobile Stand Up Workstation

ASSEMBLY INSTRUCTIONS



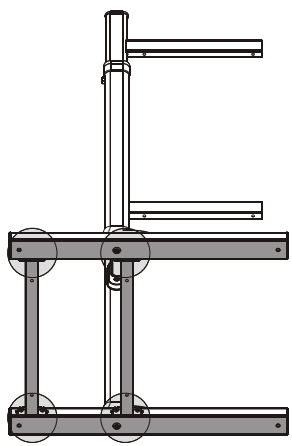
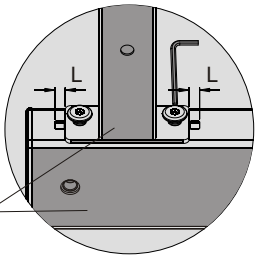
 M6x12(x12) A1	 M6x25(x4) A2	 M6x40(x4) A3	 M6x35(x6) A4
 M6x50(x4) A5	 A6x1	 A7x1	 G1x2
 G2x4	 G3x2	 G4x2	 G5x2



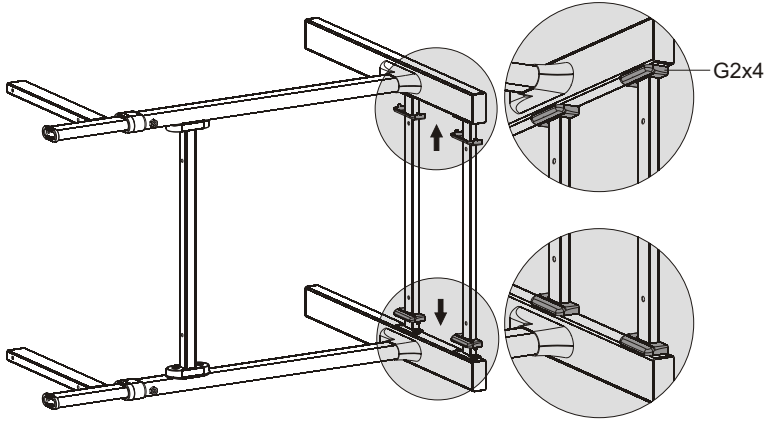
4

"L" dimensions should be equal.

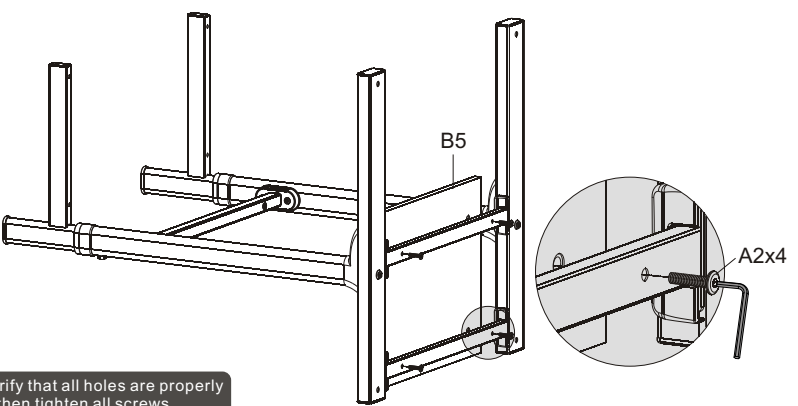
Keep the same plane.



5

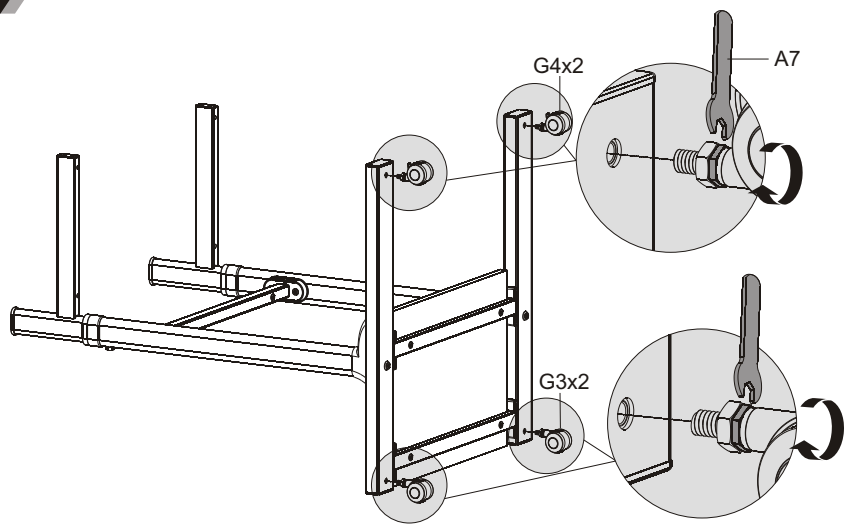


6

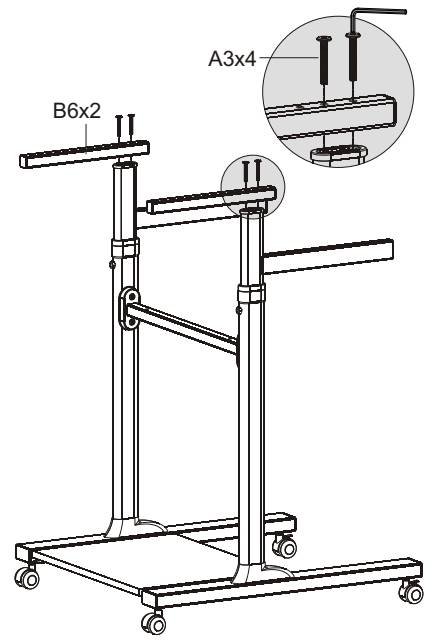


Note: Verify that all holes are properly aligned, then tighten all screws.

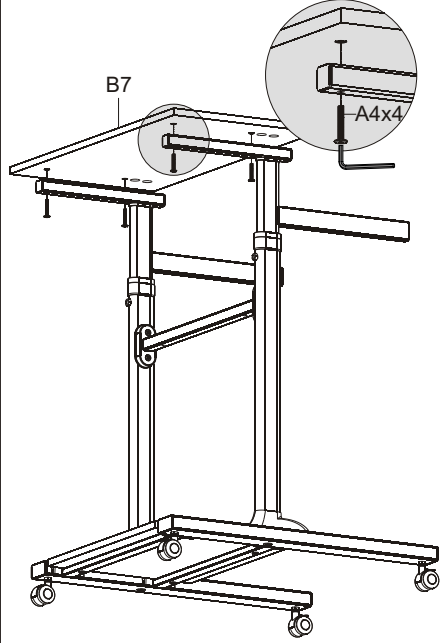
7



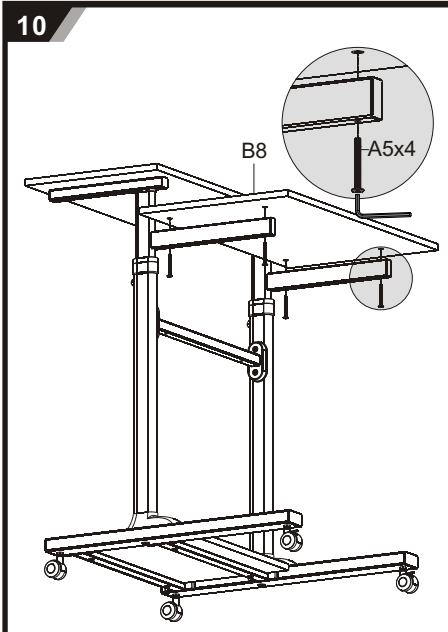
8



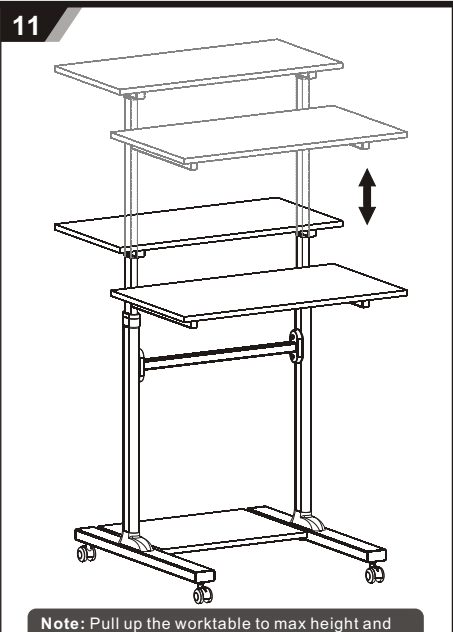
9



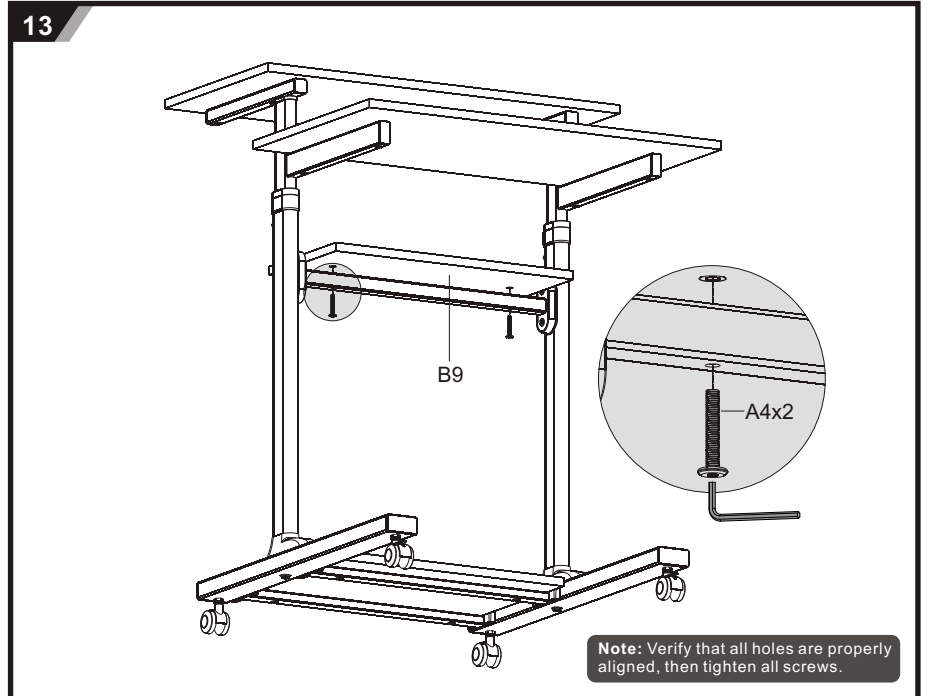
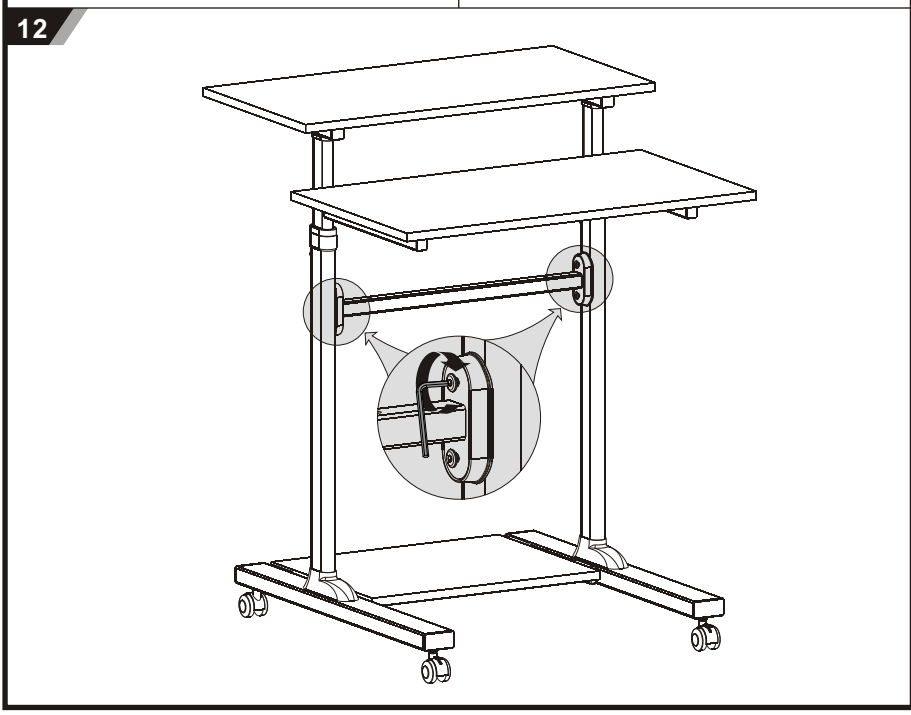
Note: Verify that all holes are properly aligned, then tighten all screws.



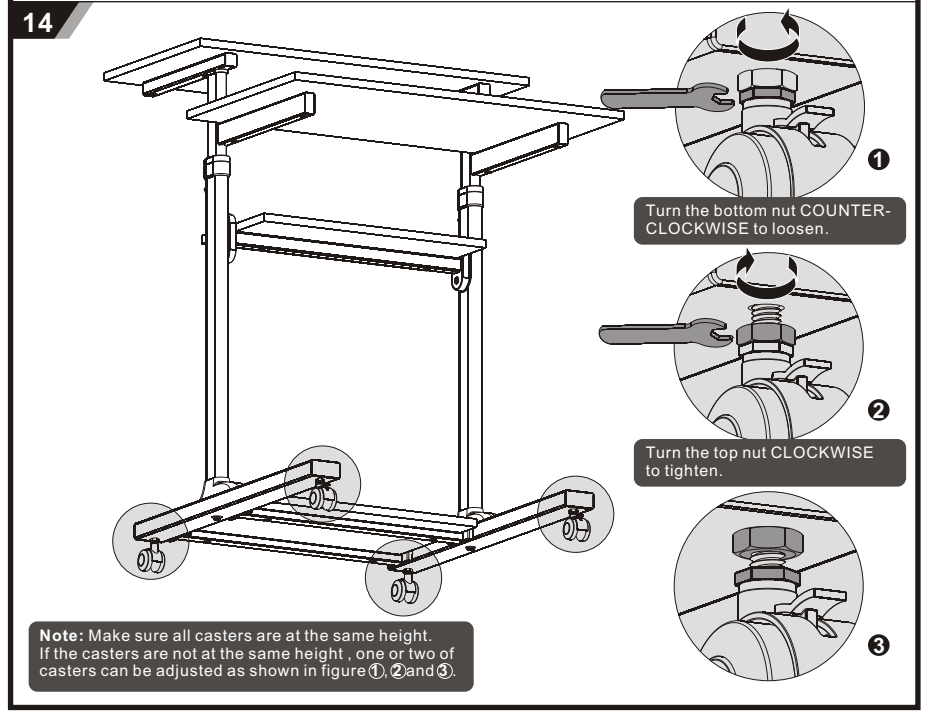
**Note:** Verify that all holes are properly aligned, then tighten all screws.



**Note:** Pull up the worktable to max height and lower it slowly to the most bottom. The worktable adjustment should be repeated several times more.



**Note:** Verify that all holes are properly aligned, then tighten all screws.



**Note:** Make sure all casters are at the same height. If the casters are not at the same height, one or two of casters can be adjusted as shown in figure ①, ② and ③.