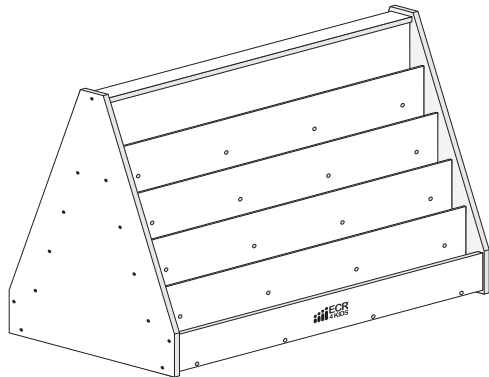




San Diego, CA 92110 USA
www.ecr4kids.com

Double-Sided Book Display Model# ELR-0335-A



⚠ WARNING:

Adult Assembly Required.

Two adults recommended.

- Contains small parts, sharp points and edges.
- Do not stand, sit, kneel, climb, lean or pull on unit for support.
- Never leave children unattended.
- Do not place unit near high heat or moisture.
- Adult supervision recommended.

TOOLS INCLUDED

- Hex Tool (1)



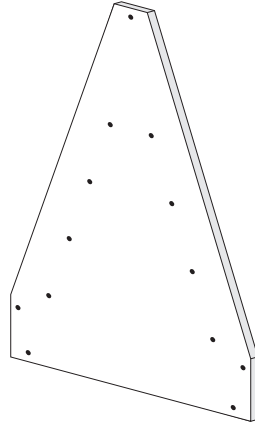
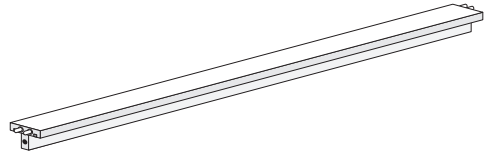
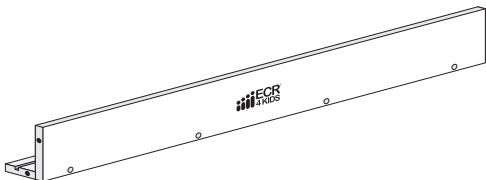
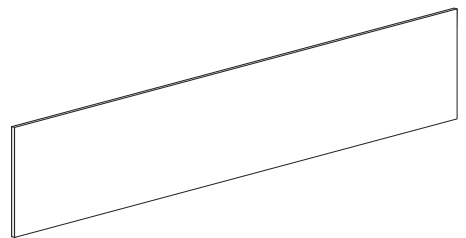
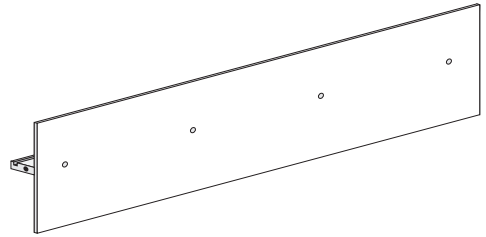
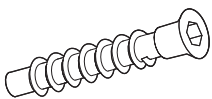
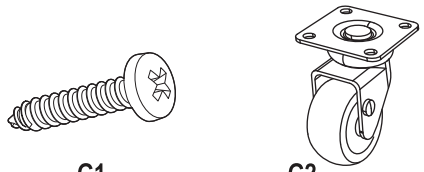
TOOLS NEEDED

- Phillips Screwdriver



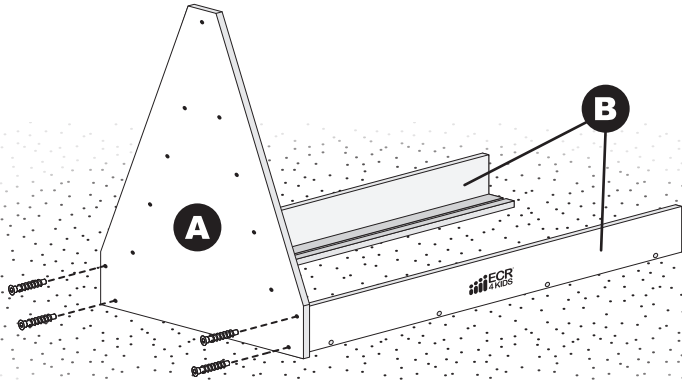
Parts List

BEFORE ASSEMBLING, MAKE SURE YOU HAVE ALL THE PARTS

<p>A Side Panels (2)</p>  <p><i>Batch ID Sticker located on inside</i></p>	<p>D Upper Crossbar (1)</p> 
<p>B Front Crossbars (2)</p> 	<p>E Upper Shelves (2)</p> 
<p>C Middle Shelves (8)</p> 	<p>F Hex Screws (26)</p>  <p><i>Use the Hex Tool</i></p> <p>G Phillips Screws & Casters (16/4)</p>  <p>G1 G2</p> <p><i>Use a Phillips Screwdriver</i></p>

1 Install the Front Crossbars

Install the **Front Crossbars (B)** onto a **Side Panel (A)** with four **Hex Screws (F)** using the Hex Tool.

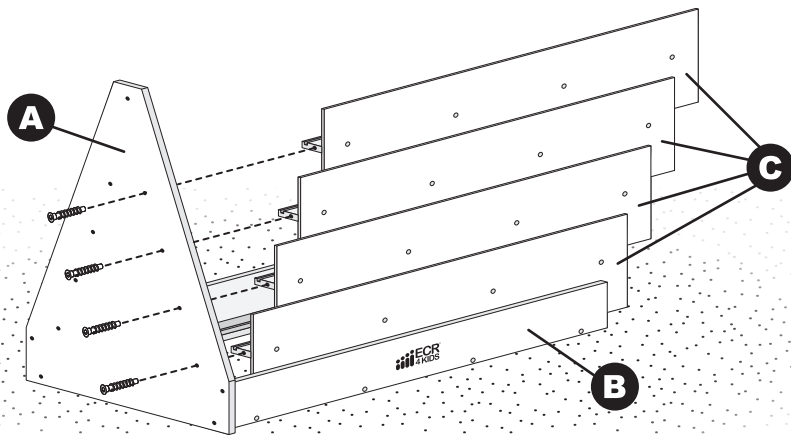


2 Install the Middle Shelves

Slide a **Middle Shelf (C)** into the groove on the **Front Crossbar (B)** as shown, until fully seated against the inside of **Side Panel (A)**.

Install the first **Middle Shelf (C)** onto the **Side Panel (A)** with one **Hex Screw (F)** using the Hex Tool.

Repeat with the remaining **Middle Shelves (C)**, one shelf at a time.

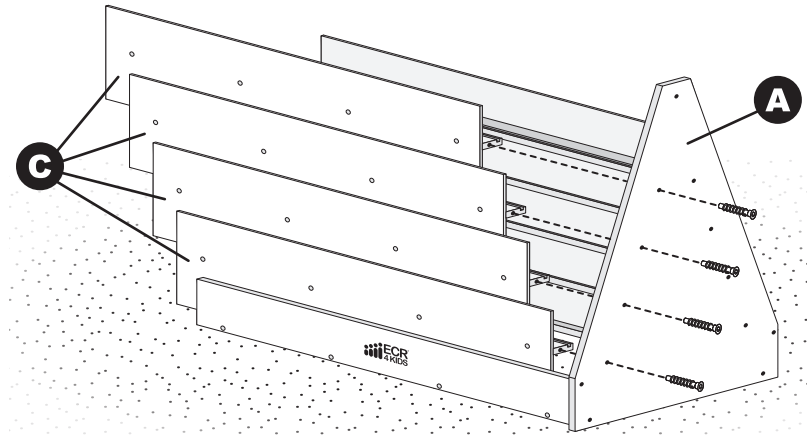


3 Install the Middle Shelves

Slide a **Middle Shelf (C)** into the groove on the **Front Crossbar (B)** as shown, until fully seated against the inside of **Side Panel (A)**.

Install the first **Middle Shelf (C)** onto the **Side Panel (A)** with one **Hex Screw (F)** using the Hex Tool.

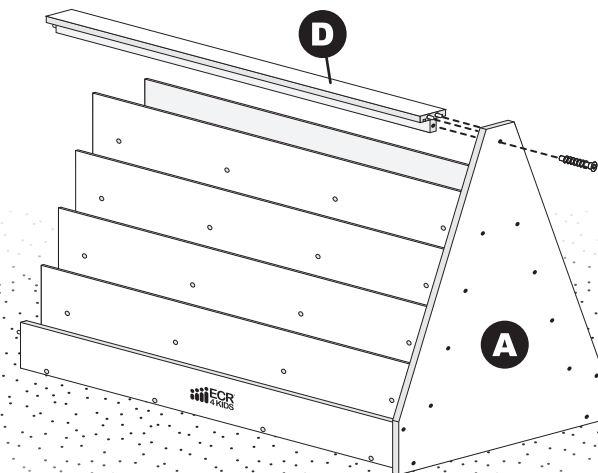
Repeat with the remaining **Middle Shelves (C)**, one shelf at a time.



4 Install the Upper Crossbar

Insert the pre-installed wooden dowels on **Upper Crossbar (D)** into the corresponding holes on the inside of **Side Panel (A)**.

Install the **Upper Crossbar (D)** onto the **Side Panel (A)** with a **Hex Screw (F)** using the Hex Tool.

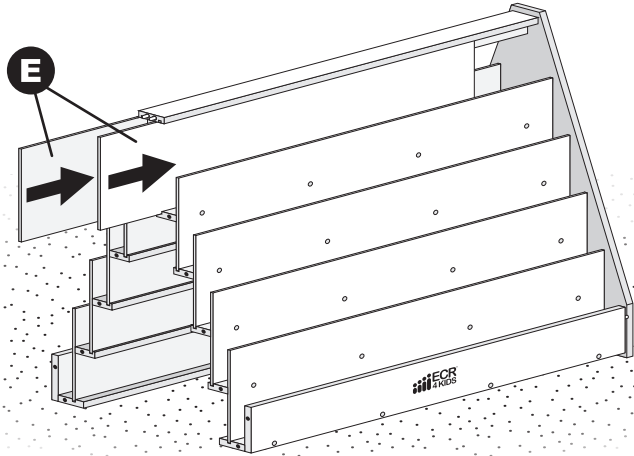


See Next Page

5 Slide the Upper Shelves into Place

Slide the **Upper Shelves (E)** into the grooves on the **Middle Shelves (C)** and **Upper Crossbar (D)** as shown, until fully seated against the inside of **Side Panel (A)**.

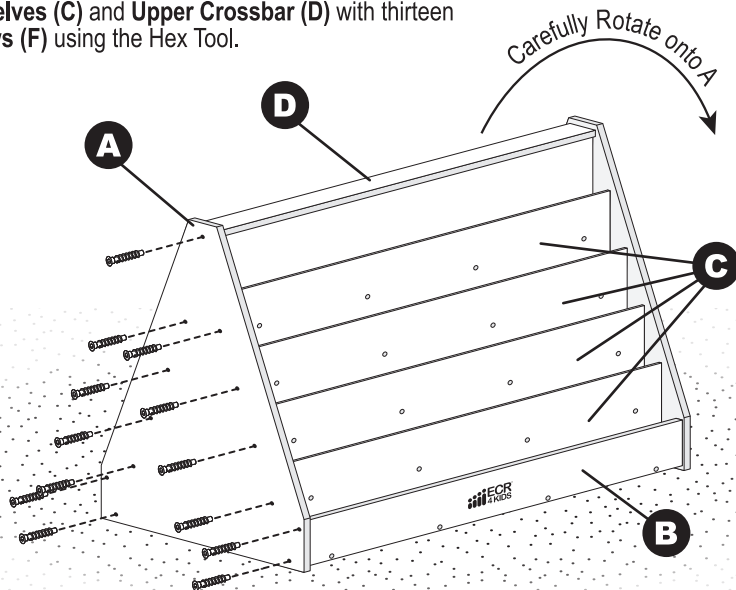
*Tip: If the **Upper Shelves (E)** do not slide in easily, wiggle the panels while pushing into place*



6 Install the Remaining Side Panel

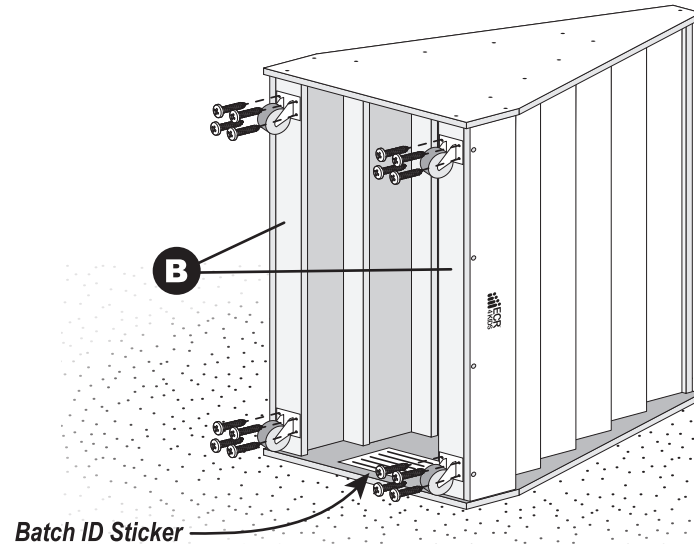
Insert the pre-installed wooden dowel on **Upper Crossbar (D)** into the corresponding hole on the inside of **Side Panel (A)**.

Install the remaining **Side Panel (A)** onto the **Front Crossbars (B)**, **Middle Shelves (C)** and **Upper Crossbar (D)** with thirteen **Hex Screws (F)** using the Hex Tool.



7 Install the Casters (Optional)

*Optional: Install the four **Castors (G2)** into the pre-drilled holes on the underside of the **Front Crossbars (B)**, with four **Phillips screws (G1)** per caster, using a Phillips screwdriver.*





We appreciate your purchase of the Double-Sided Book Display. ECR4KIDS has made every effort to supply a quality product that with proper use and care, will provide many years of trouble-free use.

If you experience any difficulties with this product, please email us at ecrcs@ecr4kids.com or call toll-free at (855) ECR-4KIDS (Monday - Friday, 7:00am - 4:00pm Pacific Standard Time)

Please do not return to place of purchase as ECR4KIDS will replace defective part(s) and/or product.

Warranty: Visit our website for product specific warranty information at: www.ecr4kids.com

Care and Cleaning

Clean wood with a damp cloth or sponge using warm water and mild soap. Wipe dry.

Do not place near heat, moisture or vaporizer which may cause wood to warp and peel.

Check for loose or worn parts periodically and tighten or replace as necessary.

Record the manufacture date here.
Information is located on the Batch ID sticker and on the shipping carton.
Save this sheet in an accessible place.

Model Number: ELR-0335-A

Factory Code: EP

Manufacture Date: _____

Batch ID Number: _____
(Located on Part A)