

**TIP!**  
 DO NOT FULLY TIGHTEN SCREWS UNTIL ALL SCREWS HAVE BEEN LOOSELY POSITIONED.

BEFORE ASSEMBLING, MAKE SURE THERE ARE NO MISSING PARTS.

**PARTS LIST**

- A** Mirror
- B** Brace(2)
- C** Phillips Head Screw(4)

**NOTE:**  
 A Phillips Head Screwdriver will be needed for assembly (not included)



**WARNING:**

- Adult Assembly Required.** Two adults recommended.
- Contains small parts, sharp points and edges.
  - Do not stand, sit, kneel, climb, lean or pull on unit for support.
  - Never leave children unattended.
  - Do not place unit near high heat or moisture.
  - Adult Supervision Recommended.

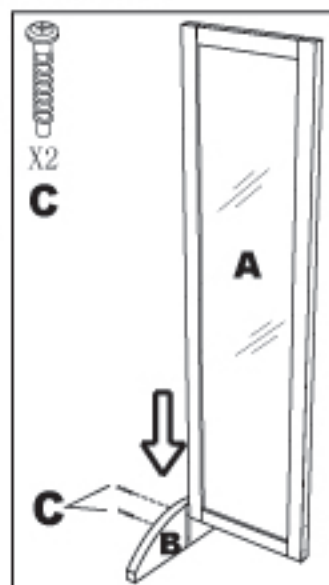
If you experience any difficulties with this product, please contact us toll free at 1-888-227-9028 (Monday through Friday, 6:00am to 4:00pm Pacific Time).

Please do not return to place of purchase as Early Childhood Resources will replace defective parts and/or product.

**1 Attach Brace #1**

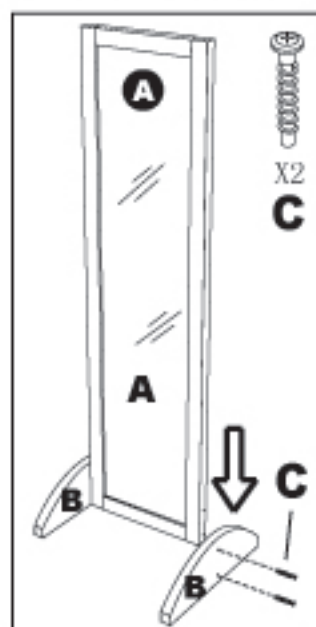
1A. Choose an orientation, and position a Brace(B) so Mirror(A) slides into the groove in Brace(B) until the screw holes align.

1B. Secure Brace(B) to one side of Mirror(A) using 2 Phillips Head Screws(C). Tighten with Phillips Head Screwdriver.



**2 Attach Brace #2**

2. Repeat Step #1 to attach Brace #2.

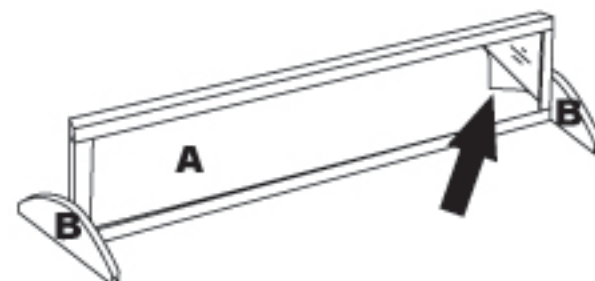


Note: Mirror(A) can be mounted either vertically or horizontally, following these same steps.

**3 Remove Film**

3A. Starting at the corner as marked on the mirror, remove the protective film layer slowly, pulling in a downward motion, so the film stays intact.

3B. Wipe the Mirror(A) with a soft cloth only, prior to use.



**4 You are done!**

**CAUTION:**

- Do not allow children to climb, sit, stand or lean on unit.
- Do not use as a stepladder.



We appreciate your purchase of the Bi-Directional Mirror. Early Childhood Resources® has made every effort to supply a quality product, that with proper use and care, will bring you many years of trouble free use!

#### Care and Cleaning

Make sure to fully remove the protective film from the mirror surface prior to use. Do not use sharp objects to remove film as it may damage the mirror surface.

Clean wood with a damp cloth or sponge using warm water and mild soap. Wipe dry.

Clean mirror surface with a soft cloth ONLY. Do not use chemical on the mirror surface as it will degrade the plastic.

Do not place near heat, moisture or vaporizer which may cause wood or plastic to warp and peel.

Check for loose or worn parts periodically and tighten or replace as necessary.

---

**Model Number: ELR-0701**

#### Record the Purchase Order Number here.

Purchase Order Number: \_\_\_\_\_

**This information is located on a label attached to the unit, and on the shipping carton. Reference this number for any questions or comments you have about your item. Save these instructions in an accessible place for future use.**



"Early Childhood Resources® guarantees the quality of all of our products. You can trust the quality and safety of our furniture and materials, along with the peace of mind that our products are made to last. If for any reason, you are not satisfied with the quality and workmanship of our products, we will replace the item or refund the sale."