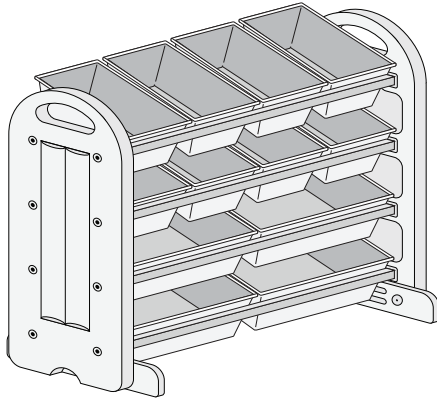




San Diego, CA 92110 USA
www.ecr4kids.com

4-Tier Storage Organizer Model# ELR-20401



WARNING:

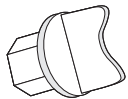
Adult Assembly Required.

Two adults recommended.

- Contains small parts, sharp points and edges.
- Do not stand, sit, climb, lean or pull on unit.
- Never leave children unattended.
- Do not place unit near high heat or moisture.
- Adult supervision recommended.

TOOLS INCLUDED

Hex Tool (1)



TOOLS NEEDED

Phillips Screwdriver

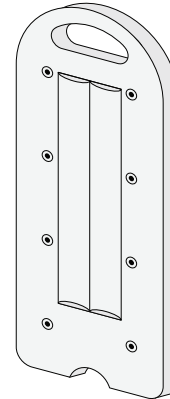


Parts List

BEFORE ASSEMBLING, MAKE SURE YOU HAVE ALL THE PARTS

A

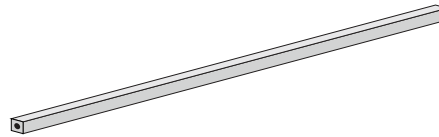
Side Panels (2)



*Batch ID Sticker
located on inside*

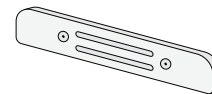
B

Support Bars (8)



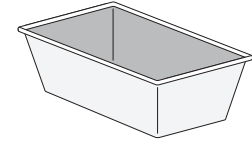
C

Feet (2)



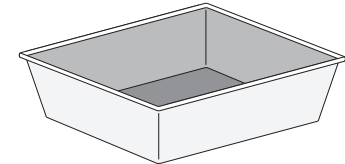
D

Small Bin (8)



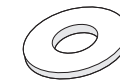
E

Large Bin (4)

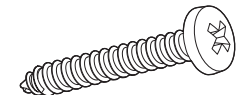


F

Phillips Screws & Washers (4)



F1

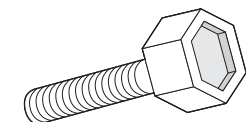


F2

Use a Phillips Screwdriver

G

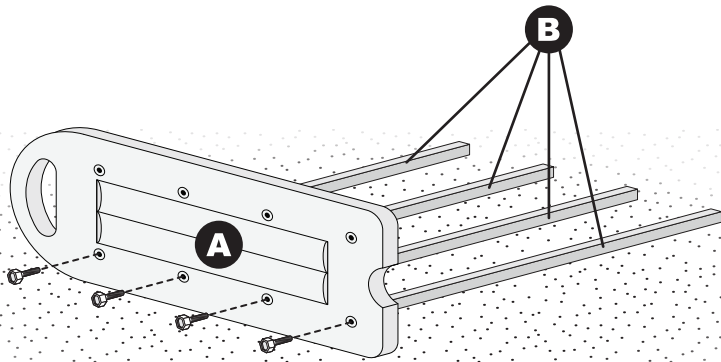
Hex Screws (16)



Use the Hex Tool

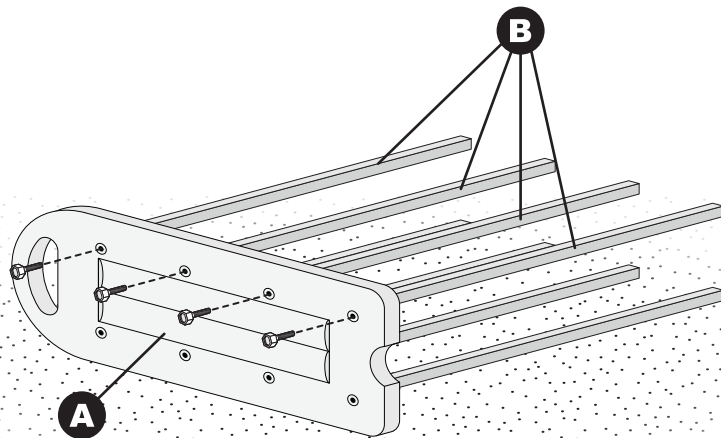
1 Install the Rear Support Bars

Install the four rear **Support Bars (B)** into the recessed square holes on the inside of **Left Side Panel (A)** as shown, with four **Hex Screws (G)** using the Hex Tool.



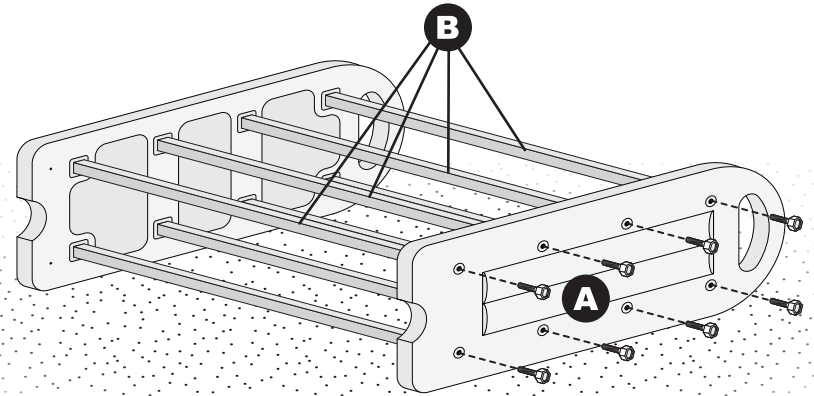
2 Install the Front Support Bars

Install the four front **Support Bars (B)** into the recessed square holes on the inside of **Left Side Panel (A)** as shown, with four **Hex Screws (G)** using the Hex Tool.



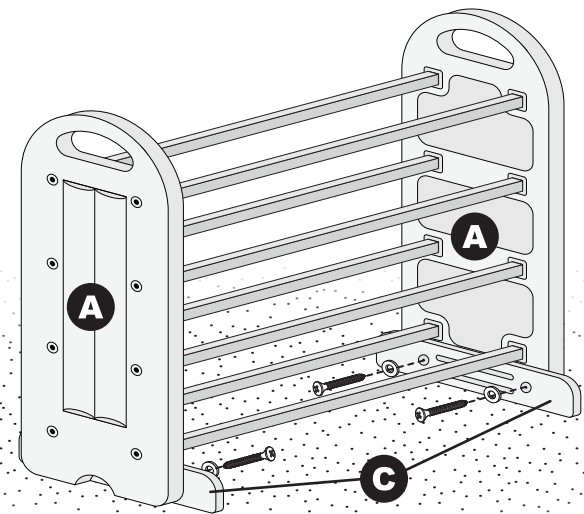
3 Install the Right Side Panel

Install **Right Side Panel (A)** onto the **Support Bars (B)**, with eight **Hex Screws (G)** using the Hex Tool.



4 OPTIONAL: Install the Feet

OPTIONAL: Install the **Feet (C)** onto the **Side Panels (A)**, with four **Phillips Screws/Washers (F1/F2)** using a Phillips screwdriver.

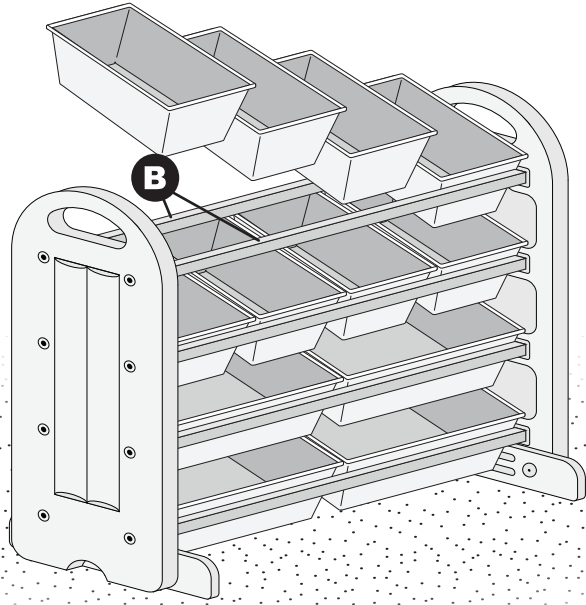


See Next Page

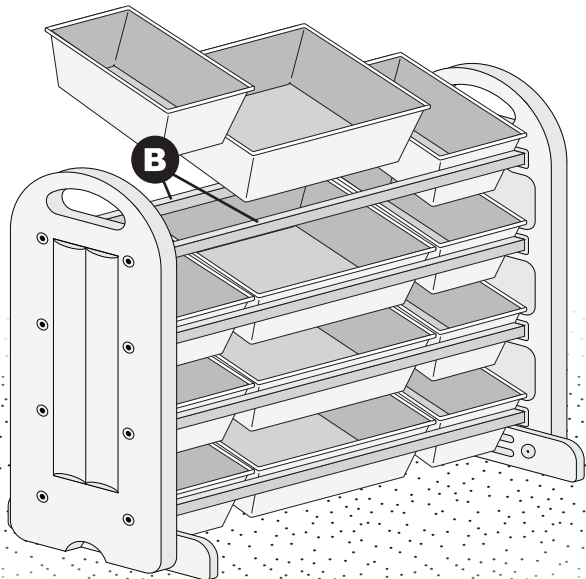
5

Install the Side Panels

Place the **Small & Large Bins (D/E)** on the **Support Bars (B)** in either an angled or flat orientation.



Suggested Bin placement



We appreciate your purchase of the 4-Tier Storage Organizer. ECR4KIDS® has made every effort to supply a quality product that with proper use and care, will provide many years of trouble-free use.

If you experience any difficulties with this product, please email us at ecrcs@ecr4kids.com or call toll-free at (855) ECR-4KIDS (Monday - Friday, 7:00am - 4:00pm Pacific Standard Time)

Please do not return to place of purchase as ECR4KIDS® will replace defective part(s) and/or product.



ECR4KIDS® guarantees the quality of all our products. You can trust the quality and safety of our furniture and materials, along with the peace of mind that our products are made to last. If for any reason you are not satisfied with the quality or workmanship of our products, we will replace the item or refund the sale.

Care and Cleaning

Clean unit with a damp cloth or sponge using warm water and mild soap. Wipe dry.

Do not place near heat, moisture or vaporizer which may cause panels to warp and peel.

Check for loose or worn parts periodically and tighten or replace as necessary.

Record the manufacture date here. Information is located on the Batch ID sticker and on the shipping carton. Save this sheet in an accessible place.

Model Number: ELR-20401

Factory Code: G

Manufacture Date: _____

Batch ID Number: _____
(Located on Part A)