

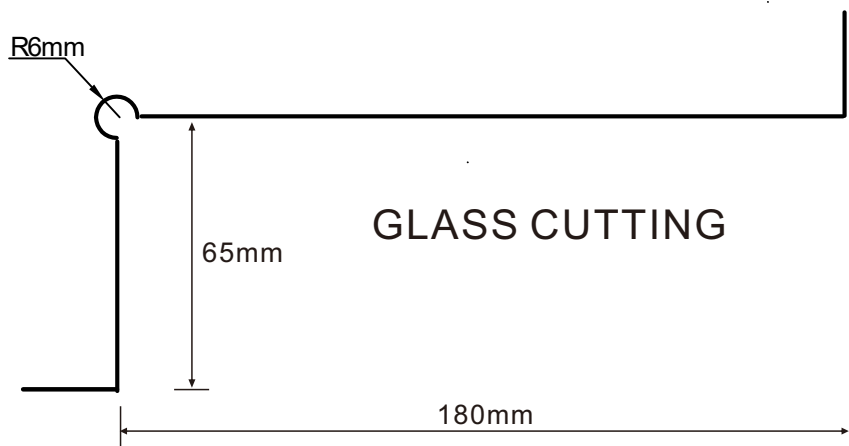
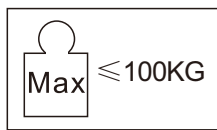
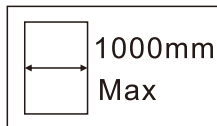
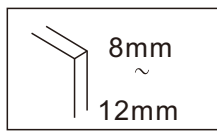
Harmony Building Material Group Inc.

www.ebhusa.com

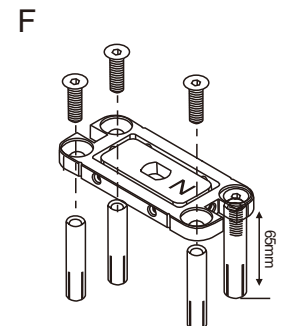
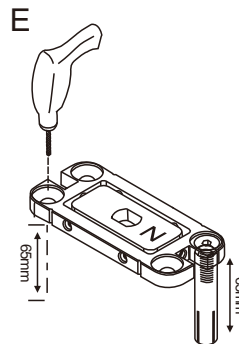
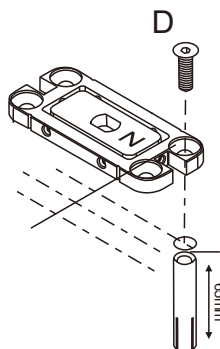
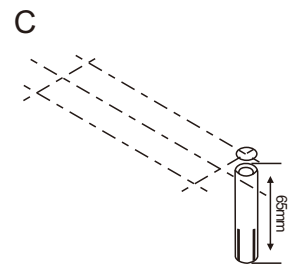
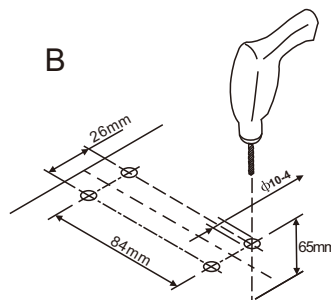
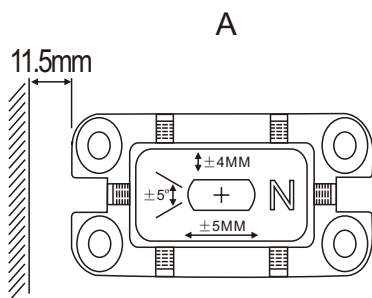
INSTALLATION GUIDE

Model No.: HPF010

①

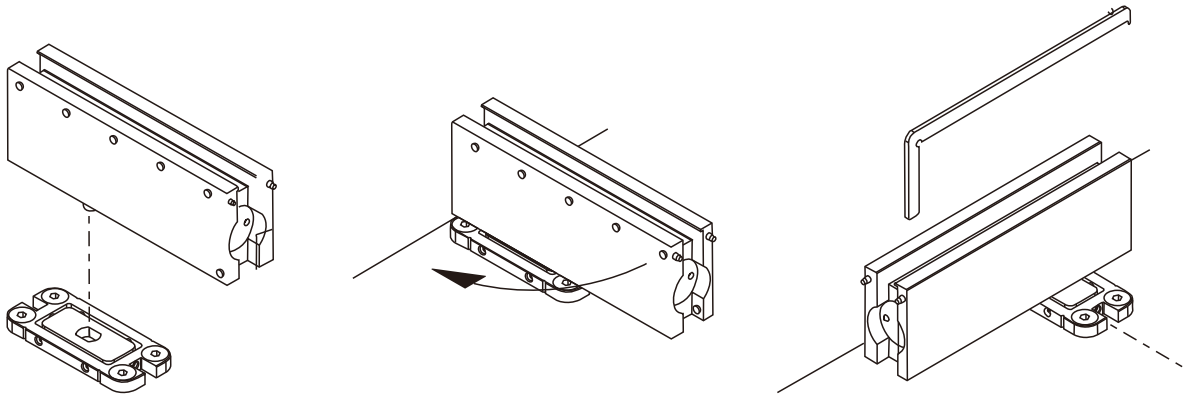


②

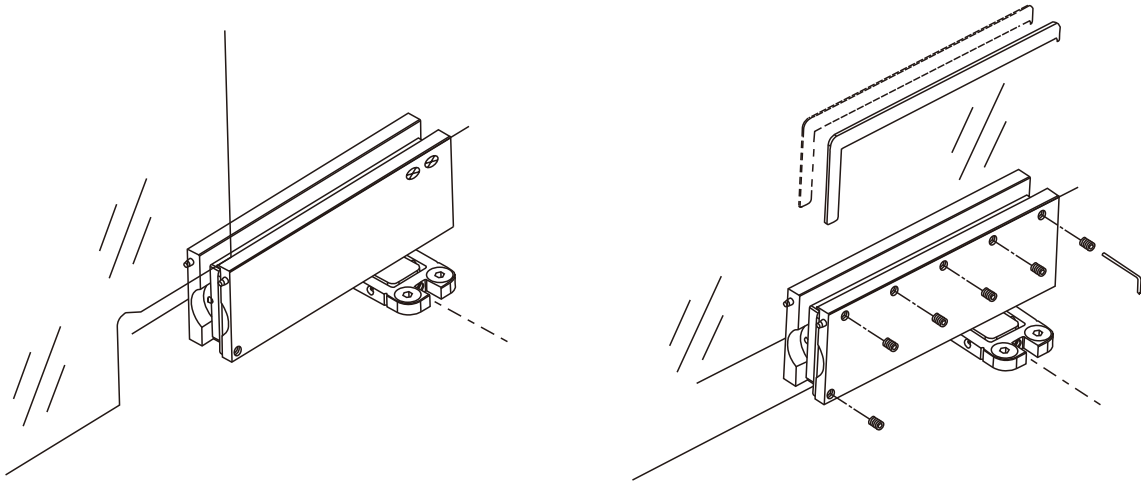


INSTALLATION GUIDE

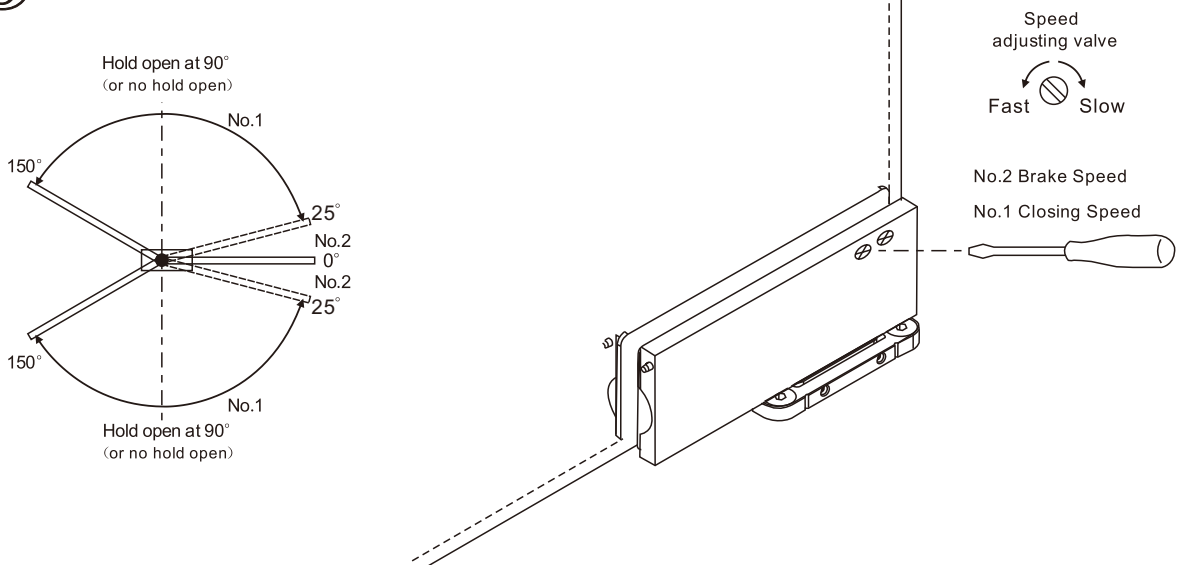
③



④

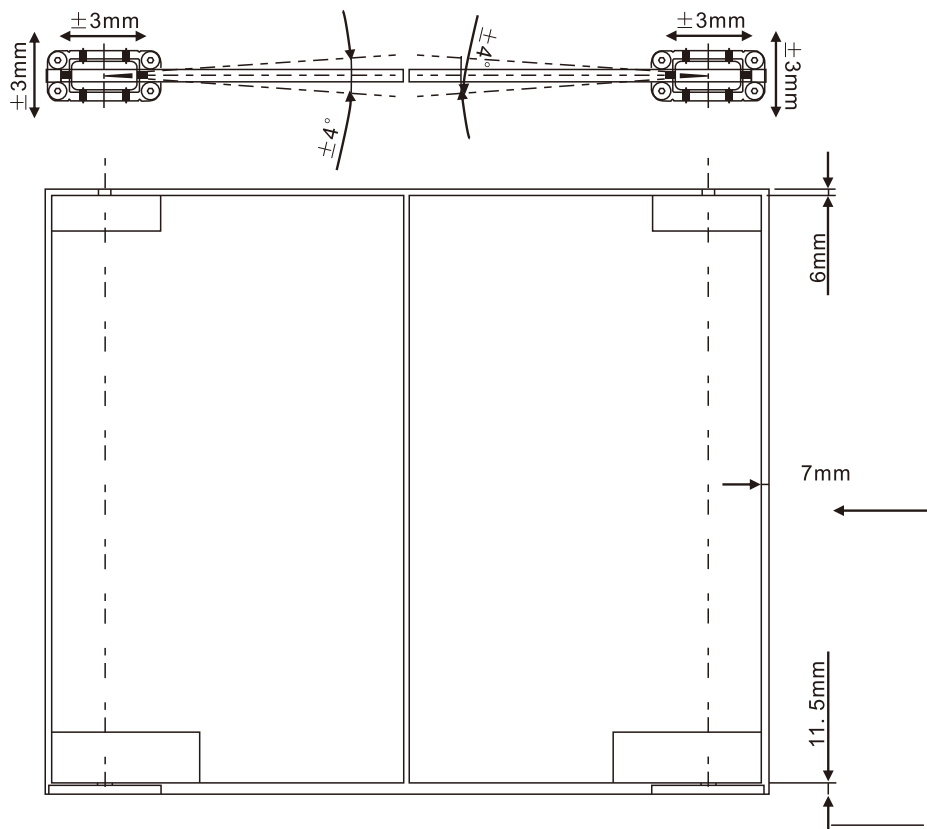


⑤



INSTALLATION GUIDE

⑤



⑥

