



dot BOARD

THE WORLDS MOST ADVANCED ELECTRIC SKATEBOARD

OWNER'S MANUAL

dot COMPACT

dot CRUISER

dot TRANSPORTER

PLEASE READ THE ENTIRE OWNER'S MANUAL BEFORE USING YOUR DOT BOARD



SAFETY	4
UNBOXING YOUR dot BOARD	5-6
ACCESSORIES AND MODIFICATIONS	7
dot TRANSPORTER	8
dot CRUISER	9
dot COMPACT	10
dot REMOTE	11
dot BATTERY MODULE	12
dot MAIN CONTROLLER	13
BATTERY SAFETY	14
BATTERY INFORMATION	15-17
BATTERY INSTALLCHARGING THE BATTERIES	18
CHARGING THE REMOTE	19
PAIRING THE REMOTE	20
REMOTE FEATURES	21
REMOTE MENU NAVIGATION	22-25
REMOTE MENU DETAILS	26
CHANGING RIDE LEVELS	27
REMOTE WARNINGS	28-29
GETTING READY TO RIDE	30
OPERATING YOUR dot BOARD	31
MOTOR INSTALLATION	32
INSTALLING 120MM WHEELS	33
FIRMWARE UPDATES	34
STORING YOUR dot BOARD	35
AIR TRAVEL	36
LIMITED WARRANTY	37
CERTIFICATIONS	38-39
REGULATIONS	40
DISPOSAL INFORMATION	41



DO NOT USE THIS PRODUCT UNTIL YOU READ THE ENTIRE MANUAL, WHICH EXPLAINS HOW TO REDUCE SOME RISKS.

THE USE OF ANY SKATEBOARD PRESENTS RISKS AND DANGERS. THE USE OF THIS PRODUCT HAS INHERENT RISKS AND DANGERS AND ITS USE CAN RESULT IN SERIOUS INJURY OR DEATH EVEN WHEN SAFETY EQUIPMENT IS USED AND OTHER PRECAUTIONS ARE TAKEN.

THIS PRODUCT INCLUDES ONE OR MORE RECHARGEABLE BATTERIES WHICH POWERS ONE OR MORE ELECTRIC MOTORS. MISUSE OF THE BATTERY CAN RESULT IN SERIOUS INJURY, DEATH, FIRE OR OTHER DAMAGE. READ AND FOLLOW THE SEPARATE WARNINGS AND INSTRUCTIONS REGARDING THE BATTERY.

USE THIS PRODUCT AT YOUR OWN RISK.

Depending upon the age, skill level and maturity of the user, the dot board may not be suitable for everyone. This product is not recommended for riders under the age of 18. The use of this product by someone who lacks the necessary physical development, skills or maturity presents an increased risk of serious injury or death. This product is NOT a toy. NEVER leave this product with unattended children.

Under some circumstances, the electric brakes may not work, especially if the battery is fully charged due to the regenerative braking feature. It is also possible to lose power and brakes due to radio interference or a dead Remote control battery. Therefore, only ride this product at speeds, on slopes, and in situations where you would be comfortable riding the product without power or brakes.

Not wearing a helmet increases the chances of serious injury or death. Be sure you always wear a helmet and other protective gear when you ride.

Once the skateboard starts moving, the Remote control will continue to respond to the skateboard even if you are not on the skateboard. If you step off, fall off the skateboard, or are not on the skateboard while the skateboard is moving, the skateboard will continue to move even if you are not on it. Therefore, it is important that you use the Remote only while you are on the skateboard or while the skateboard is in the upside down position. In the event of a runaway skateboard, attempt to use the brakes on the Remote to stop the skateboard but be aware that it is possible that the brakes may not always work.



While your dot board is equipped with red rear lights, they are not brake lights and may not always be visible. If you ride in low visibility conditions, use equipment and clothing that makes you visible to others and that allows you to see where you are going.

This product is not for riders heavier than 120 kilograms. Do Not Exceed The Weight Limit Of 120 Kilograms – including backpacks and other items that the rider might be carrying.

This product is intended to be a single rider use only. DO NOT ride with any additional passengers. Doing so may exceed the capacity of the product and result in a loss of control or reduced braking or insufficient power.

Do not disassemble or tamper with or attempt to repair the hub motor(s), or the Main Controller Module or battery, or the Remote Control. They contain chemicals or components that may cause injury.

Do not touch the rear truck or motor after extended use as they may get hot and may cause burns.

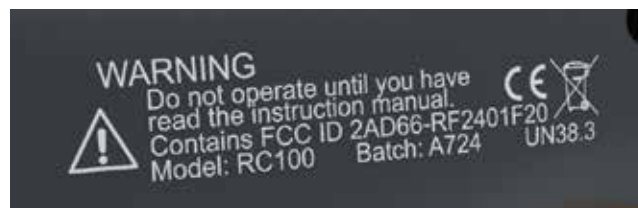
YOUR SAFETY IS UP TO YOU.

It is not possible to list all do's and don'ts. We list only some ways that may help reduce the risk of injury or death:

- Wear a helmet – ALWAYS WEAR A HELMET TO REDUCE THE RISK OF HEAD INJURIES
- Wear other protective gear and clothing
- Ride within your capabilities and use common sense and good judgment
- Pay attention to your surroundings and watch for cars, pedestrians, bikes, other vehicles and other hazards
- Ride on flat, level ground that is clear of debris
- Never ride in wet conditions

SAFETY LABELS

Safety labels on your skateboard either warn you of potential hazards that could cause serious injury or provide important safety information. Read these labels carefully and don't remove them.
 Note: If a label comes off or becomes hard to read, contact us at info@dotboards.com





UNBOXING YOUR dot BOARD

Your dot skateboard comes in its own specially designed case. Inside you will find everything you need to get you going.

Once you remove the skateboard, you will see inside the following items:

- Safety warning sheet, Battery Information Sheet and Quick start Guide.
- dot board – Transport, Cruiser or Compact.
- Battery modules (up to 4, depending on your model and configuration), which will already come installed on your dot Board.
- Battery front deflector cover and battery screws, which will come already installed on your dot board.
- Battery terminal cover caps (Red) – these will be in your spares bag.
- Remote controller and Remote controller charging USB cable.
- AC power adaptor (country specific) and magnetic charging cable
- Skate tool, Dot Hex-drive tee bar, Spares parts package

Your dot board comes fully assembled in accordance with the model and configuration that you purchased.

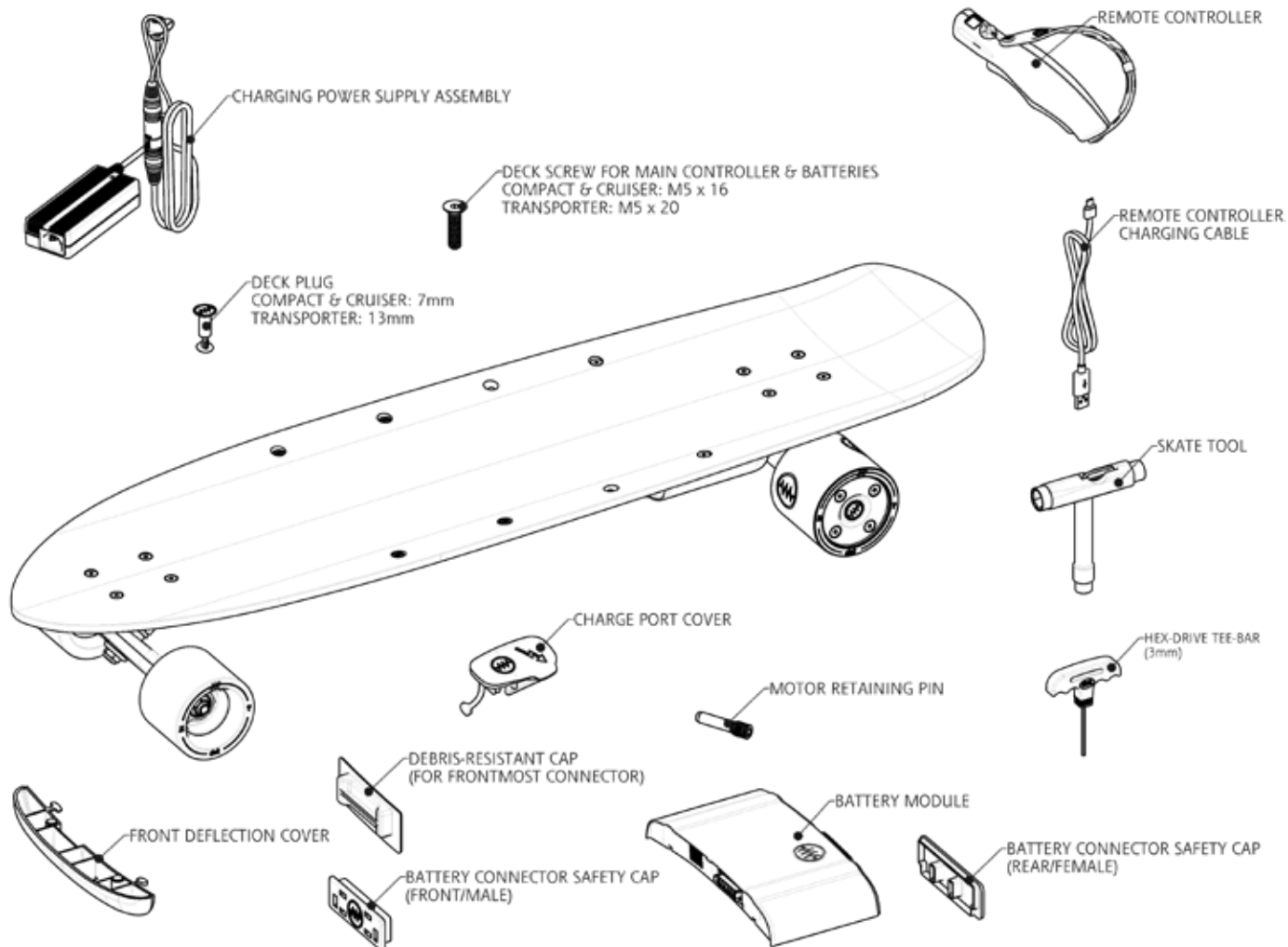
Remove your dot board from the case and inspect the skateboard for any damage that may have occurred during shipping or any missing parts. If anything is damaged or missing, please contact customer service immediately for assistance. You can reach customer service at info@dotboards.com

Read and fully understand all the information in this manual, the Safety Warning Sheet, Battery Information Sheet, and Quick Start Guide supplied with your board and also pay particular attention to the warning labels applied to the board, power adaptor, charging cables and Remote.

If you have any further queries with the information provided in this manual, Safety Warning Sheet, Battery Information Sheet, Quick Start Guide and on warning labels, please contact customer service via email at info@dotboards.com

Your dot skateboard has been transported with lithium ion battery modules. Please, carefully examine these modules for any signs of damage – including cracks. Contact your authorised dealer for further instructions.







Modifying your skateboard or using uncertified dot board accessories can make your skateboard unsafe. Before you consider making any modification or adding an accessory, be sure to read the following information.

IMPROPER ACCESSORIES OR MODIFICATIONS CAN CAUSE A CRASH IN WHICH YOU CAN BE SERIOUSLY HURT OR KILLED.

FOLLOW ALL INSTRUCTIONS IN THIS OWNER'S MANUAL REGARDING ACCESSORIES AND MODIFICATIONS.

We strongly recommend that you only use dot board accessories that have been specifically designed and tested for your skateboard. Because dot board cannot test all other accessories, you must be personally responsible for the proper selection, installation and use of uncertified dot board accessories.

Check with your dot board authorized Service Agent for assistance and always follow these guidelines: Make sure the accessory does not obscure any electrical components, reduce ground clearance, limit braking ability or steering angle, alter your riding position or interfere with operating any controls.

Do not add any electrical equipment to the skateboard's electrical system. A blown fuse can cause a loss of lights or motor power. Any interference to the electrical system can result in erratic behaviour of the controller. Do not modify the battery module. Do not modify the cells contained within the battery module, these have been specifically designed, programmed and tested to ensure the best performance from your dot board skateboards and for your safety.

We strongly advise you not to remove any original equipment or modify your skateboard in any way that would change its design or operation. Such changes could seriously impair your skateboard's handling, stability, and braking, wvmaking it unsafe to ride.

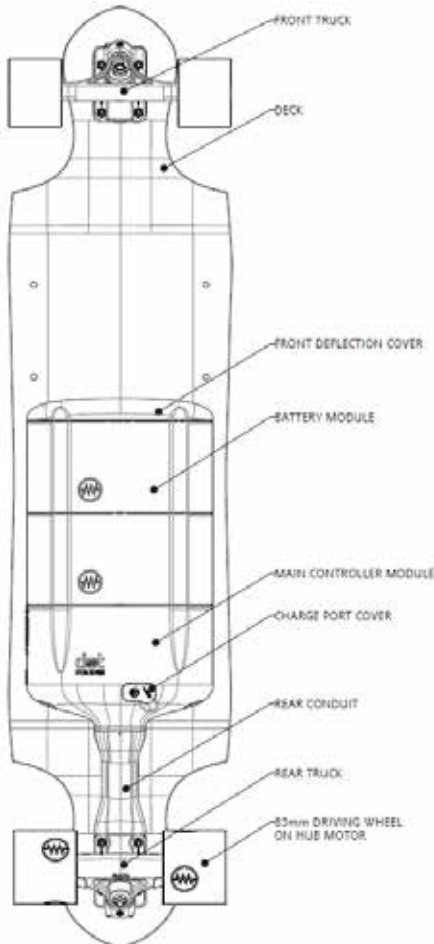
Do not open or tamper with the electrical or electronic housings, including battery electronics and cells. This is dangerous and can lead to fire or explosion. Tampering will also void your warranty.

Do not use uncertified dot board batteries, chargers or other parts with your dot board electric skateboard. Only use genuine dot board batteries, chargers, and parts. The use of uncertified dot board batteries, chargers or parts with your dot board may pose a fire hazard which can result in serious injury or death.



dot TRANSPORTER

The Transporter offers a long-range, powerful, comfortable transport solution. With a standard configuration of two motors and two batteries - you have the option to upgrade to three or four batteries and larger 120mm comfort wheels. This is the long range, go everywhere dot board for you.



Range:

Two Batteries 12 Miles
 Three Batteries 18 Miles
 Four Batteries 24 Miles

Max Speed:

83mm Wheels: 18 MPH
 120mm Wheels: 24 MPH

Hill Climb:

up to 30% grade

Product Weight:

Two Batteries + Two Motors: 16 lbs
 Three Batteries + Two Motors: 18 lbs
 Four Batteries + Two Motors: 20 lbs

Dimensions:

11 inches (wide), 42 inches (length), 5 1/2 inches (height)

Peak Power:

2,100 watts

Brakes:

Regenerative braking delivered by the dot Hub Motor

Deck:

8-ply teak + hard rock maple, eco-resin construction

Wheels:

83mm 78a or 120mm 78a urethane

Front Truck:

150mm magnesium reverse kingpin

Charging:

3.5A 48V DC power adaptor with magnetic cable (standard)

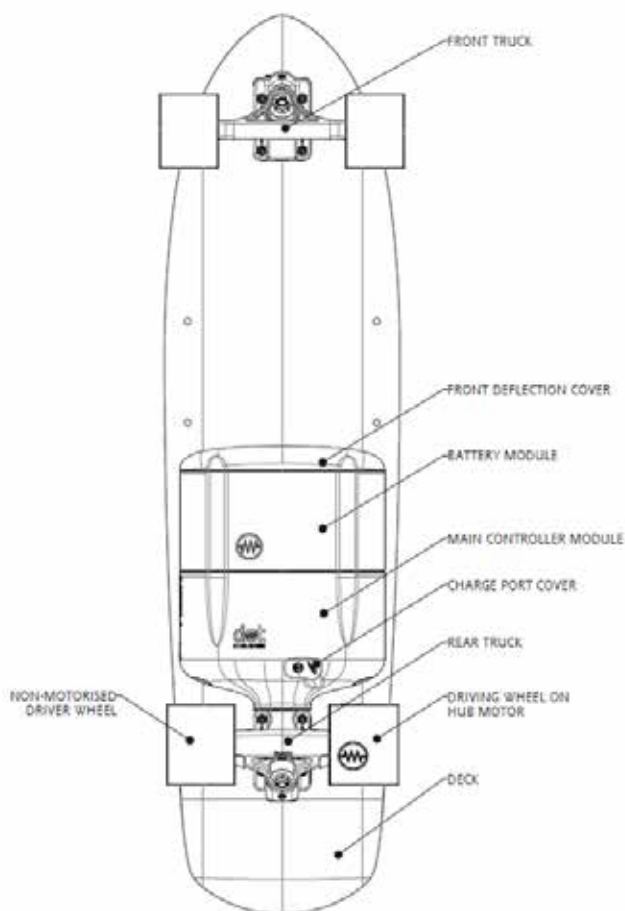
Charge Time:

Two Batteries with Standard 3.5A 48V Adaptor - 90 Minutes
 Three Battery with Standard 3.5A 48V Adaptor - 135 Minutes
 Four Battery with Standard 3.5A 48V Adaptor - 180 Minutes



dot CRUISER

This dot model is the right mix of power, portability and range. With a standard configuration of one motor and one battery - you have the option to upgrade to a two-motor configuration and upgrade to two or three batteries. This is the best of everything dot board for you.



Range:

One Battery 6 Miles
Two Batteries 12 Miles
Three Batteries 18 Miles

Max Speed:

18MPH

Hill Climb:

up to 30% grade

Product Weight:

One Battery + One Motor: 12 lbs
Two Batteries + Two Motors: 14 lbs
Three Batteries + Two Motors: 18 lbs

Dimensions:

10 inches (wide), 37 inches (length), 5 ½ inches (height)

Peak Power:

2,100 watts

Brakes:

Regenerative braking delivered by the dot Hub Motor

Deck:

6mm V-Ply + fiberglass, eco-resin construction

Wheels:

83mm 78a urethane

Front Truck:

150mm Magnesium reverse kingpin

Charging:

1.5A 48V DC power adaptor with magnetic cable
Upgradable to 3.5A 48V DC power adaptor as an accessory

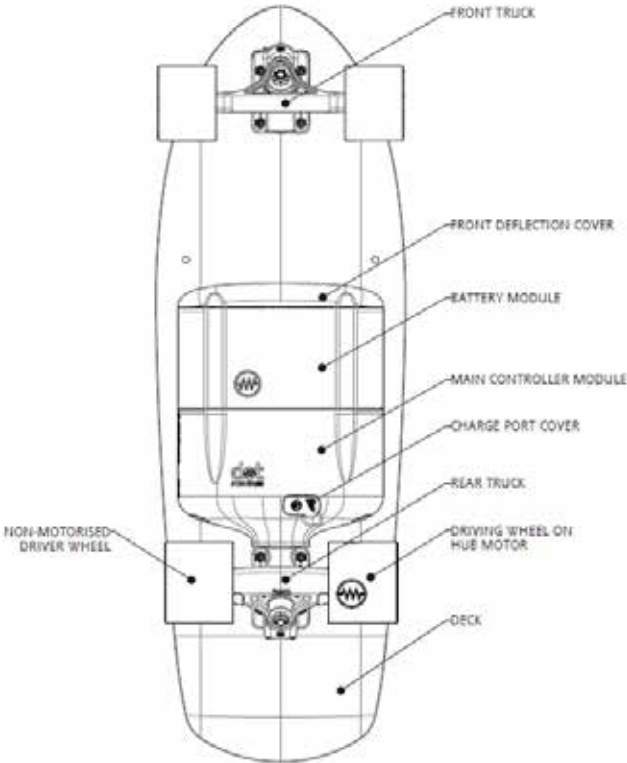
Charge Time:

One Battery with Standard 1.5A 48V Adaptor - 60 Minutes
Two Battery with Standard 1.5A 48V Adaptor - 120 Minutes
Three Battery with Standard 1.5a 48V Adaptor - 180 Minutes
One Battery with Optional 3.5A 48V Adaptor - 45 Minutes
Two Battery with Optional 3.5A 48V Adaptor - 90 Minutes
Three Battery with Optional 3.5A 48V Adaptor - 135 Minutes



dot COMPACT

The convenient, affordable, portable transport solution. With a standard configuration of one motor and one battery - you have the option to upgrade to a two-motor configuration and upgrade to two batteries. This is the lightweight, go anywhere dot board for you.



Range:

- One Battery 6 Miles
- Two Batteries 12 Miles

Max Speed:

18 MPH

Hill Climb:

up to 30% grade

Product Weight:

- One Battery + One Motor: 12 lbs
- Two Batteries + One Motor: 14 lbs
- Two Batteries + Two Motors: 16 lbs

Dimensions:

10 inches (wide), 31 inches (length), 5 1/2 inches (height)

Peak Power:

2,100 Watts

Brakes:

regenerative braking delivered by the dot Hub Motor

Deck:

6mm V-Ply + fiberglass, eco-resin construction

Wheels:

83mm 78a urethane

Front Truck:

150mm magnesium reverse kingpin

Charging:

- 1.5A 48V DC power adaptor with magnetic cable
- Upgradable to 3.5A 48V DC power adaptor as an accessory

Charge Time:

- One Battery with Standard 1.5A 48V Adaptor - 60 Minutes
- Two Batteries with Standard 1.5A 48V Adaptor - 120 Minutes
- One Battery with Optional 3.5A 48V Adaptor - 45 Minutes
- Two Battery with Optional 3.5A 48V Adaptor - 90 Minutes



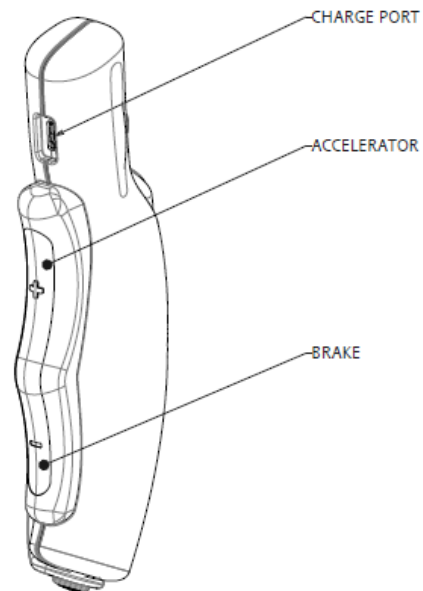
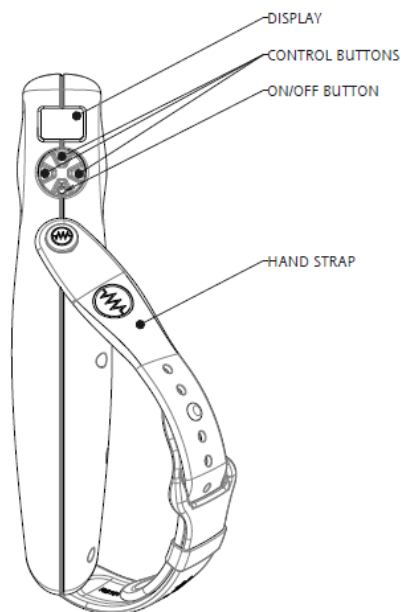
dot REMOTE - RC100

The dot board RC100 Remote Controller offers three ride levels – Novice, Eco and Expert. Featuring an adjustable grip, soft silicon trigger and sensor magnets.

Compatible with all dot board models. Firmware upgradeable via supplied USB dot Data cable.

NOTE:

The usb cable supplied with your dot Board is a special **USB data cable** to transfer data to and from your dotboard and dot Remote. A regular USB charging cable may not work when attempting to upgrade firmware.





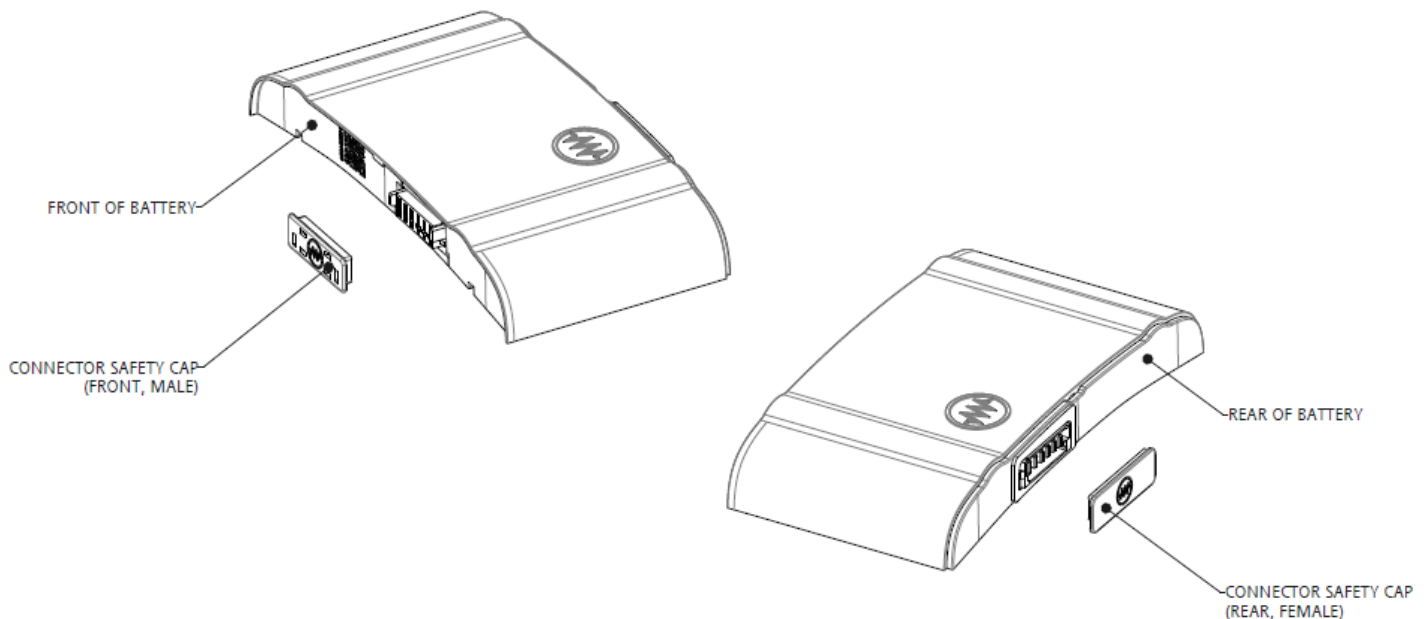
dot BATTERY - BM100

The proprietary cell balancing technology in the dot battery module delivers reliable and safe lithium battery power in a convenient stackable format.

Each battery is comprised of 10 individual VTC4 lithium-ion cells, while the battery module itself has passed the rigorous IEC 62133 standard, the world's leading benchmark for lithium battery safety. This means the product will not be damaged from a short circuit, is safe for airline travel and provides you with confidence during charging, operation and storage of the lithium battery.

The batteries modules feature an extremely low self-discharge design. It works in conjunction with dot's regenerative braking system to store recovered power.

NEVER open your BM100 Battery module for inspection. If you have concerns with your BM100, then contact dot boards
BM100 Units are sealed and warranty will be void if the seal is broken from unauthorized internal inspection



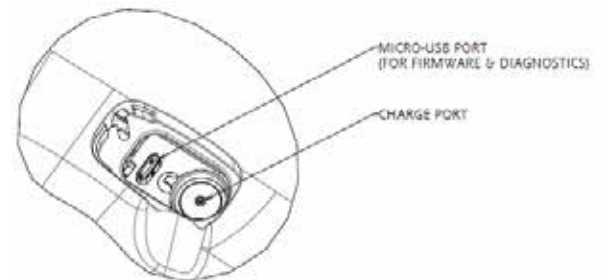
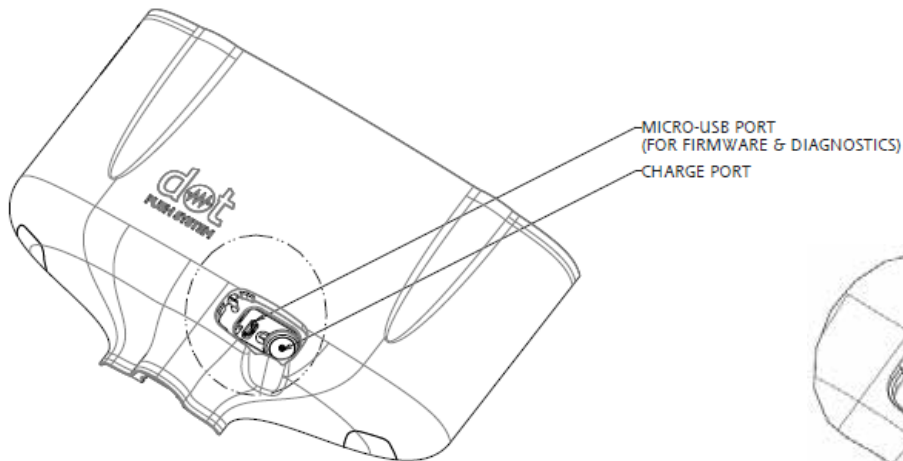


dot Main Controller - MCI00

The dot Main Controller is the heart of the dot board system and contains more than five-hundred individual components that act in concert to deliver a super smooth ride experience.

The housing features LED red rear lights with multiple brightness levels, a magnetic charge port and easy access USB port for firmware updates.

NEVER open or tamper with the Main Controller for any reason. If you have concerns with the Main Controller, please contact customer service. The warranty will be void if you open or tamper with the Main Controller.





The dot board BM100 battery module contains lithium ion cells, that could explode or cause a fire if they are used incorrectly

Your BM100 battery module has been designed and built with user safety as a priority but please be aware of the following precautions:

Always use extreme caution when working with or around any battery terminals, mounting screws or motors

Always observe and obey the instructions on labels attached to components - they are there for your safety.

The BM100 has no user serviceable parts. Do not disassemble, remove or replace battery components. This will void your warranty.

Do not short circuit the battery terminals at each end. Always refit the protective caps your battery was supplied with, when not in use.

Never throw a battery in to a fire or submerge in water.

Dispose of your battery as instructed in this owners manual

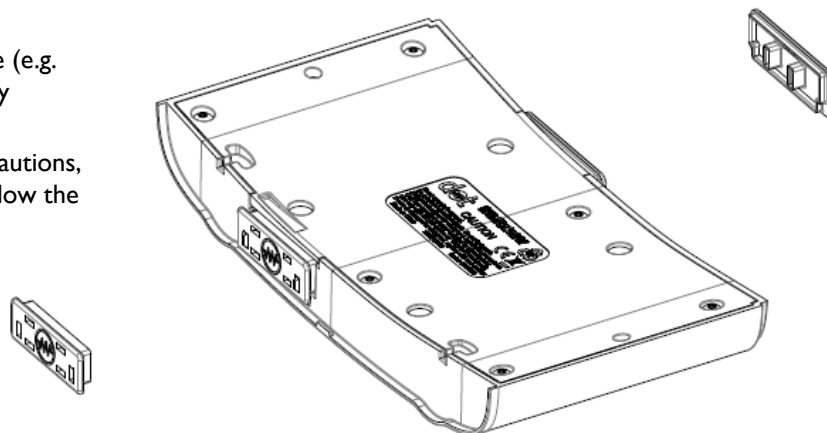
Changes or modifications to your BM100 battery module, can present a safety risk and will void your battery warranty

If your battery shows any type of damage or shape change (e.g. bulging, leaking etc..) then discontinue use and immediately contact dot boards.

Failure to properly follow the safety instructions and precautions, can cause you to be seriously injured or killed. Always follow the procedures and precautions in this owner's manual.

Battery installation and removal. Your dot board skateboard is shipped with the batteries already fitted. Batteries will be supplied, depending on the quantity ordered and the maximum amount that can be fitted to your model .

Your dot board case, will come shipped with specific battery terminal protection caps. Please retain these caps for future use with transportation – especially for transportation on aircraft. When fitted and with tape to hold caps in place, these protective caps will help prevent other objects from damaging the battery connectors and terminals.





Approximate Charge Time:

- One Battery with Standard 1.5A 48V Adaptor - 60 Minutes
- Two Batteries with Standard 1.5A 48V Adaptor - 120 Minutes
- Three Batteries with Standard 1.5A 48V Adaptor - 180 Minutes
- One Battery with Standard 3.5A 48V Adaptor - 45 Minutes
- Two Batteries with Standard 3.5A 48V Adaptor - 90 Minutes
- Three Batteries with Standard 3.5A 48V Adaptor - 135 Minutes
- Four Batteries with Standard 3.5A 48V Adaptor – 180 Minutes

The Dot Board has the following approximate range on a full charge:

- One Battery 6 Miles*
- Two Batteries 12 Miles*
- Three Batteries 18 Miles*
- Four Batteries 24 Miles*

*There are various factors such as the weight of the rider, wind resistance, and road surface conditions that can reduce range.

Battery Care:

- Do not store the skateboard or battery or charge the batteries at temperatures at or below 32°F or temperatures at or above 104°F
- Keep the skateboard and battery away from high temperature conditions such as direct sunlight, fire, heat, inside hot cars, etc. Exposing the battery to high temperature conditions may cause the battery to explode resulting in serious injury or death.
- Store batteries in a cool dry place
- Keep the skateboard and battery away from water, moisture, rain and flammable and combustible materials
- Do not shock the battery by excessive impact or force (for example, dropping it, slamming it, or throwing it)
- Do not disassemble, puncture, crush, open, or otherwise tamper with the battery pack in any way
- Do not allow the battery to run down completely before charging.
- Periodically charge the battery even if the skateboard has not been used.
- Charge the battery before storing your skateboard. Leaving

the battery in a completely discharged state may result in the battery not accepting a charge or a decrease in the charge-holding capacity

- Regularly inspect the batteries for any damage. If the batteries shows any sign of damage, leakage, shape change, or any other indicators of damage, immediately discontinue use. Do not handle any damaged batteries
- Never get the battery wet, ride in rain, on wet, or icy surfaces. This may void your warranty and be a safety hazard.

DO NOT insert anything into the connector terminals on the battery or allow metal to come in contact with the battery connectors. Doing so could cause a short-circuit and increase the risk of risk of combustion, fire, personal injury or death. When any battery is not installed and separated from the dot Board, always put the red safety cap on both the back and front connectors of the battery. If you do not have the red safety cap, you may also use battery connector sticker to cover the connectors.



Depending on the model and configuration you purchased, your skateboard will come with one, two, three or four batteries already installed. Depending on the model and configuration you purchased, you may have the option of adding additional batteries.

The maximum configuration per model is as follows:

- Compact – two batteries
- Cruiser – three batteries
- Transporter – four batteries

Batteries are attached to the deck with two countersunk screws. Different models will have different length screws – due to deck thickness:

Compact and Cruiser – M5 x 16mm 3mm hex

Transporter – M5 x 20mm 3mm hex

To avoid potential shock or other injuries, always make sure that the power is turned OFF and the charger is disconnected before removing or installing batteries. Failure to follow these steps can result in electrocution or other serious injury.

Installation of Batteries

1. Ensure that the skateboard and the Remote control are turned off and the battery charging cable is unplugged from the electrical outlet and the magnetic connector is disconnected from the charging port of the Control Module.
2. Using the Dot Hex-drive tee bar provided with your dot Board, remove the battery pack screws from the top side of the deck that are holding the existing battery pack that is closest to the front of the skateboard.
3. Flip the skateboard over to expose the underside and remove the front deflector cover from the existing battery.
4. Remove the deck plug from the deck where the additional battery will be installed.
5. The Front installed Battery Module should be removed and additional Battery Modules should be added between the Main Controller and the existing front Battery Module so that the Debris Cap remains at the front.
6. Apply dielectric grease to the battery connector and then align and slide the additional battery onto the existing battery ensuring that the batteries are securely connected.
7. Repeat the above steps for any additional batteries you want to add.
8. Place the sealing cap sticker to the battery connector on the end battery, closest to the front of the skateboard.
9. Slightly lift the battery closest to the front of the skateboard and engage the clip of the front deflector cover to the battery and make sure it is securely in place.
10. While supporting the batteries with your hand, carefully flip the skateboard over right side up.
11. Re-install the battery case screw that were taken off the existing battery and install additional battery screws through the top of the deck to hold any additional batteries securely in place with the Dot Hex-drive tee bar provided with your dot Board.
12. Wash your hands after handling batteries



Removing or Replacing Batteries

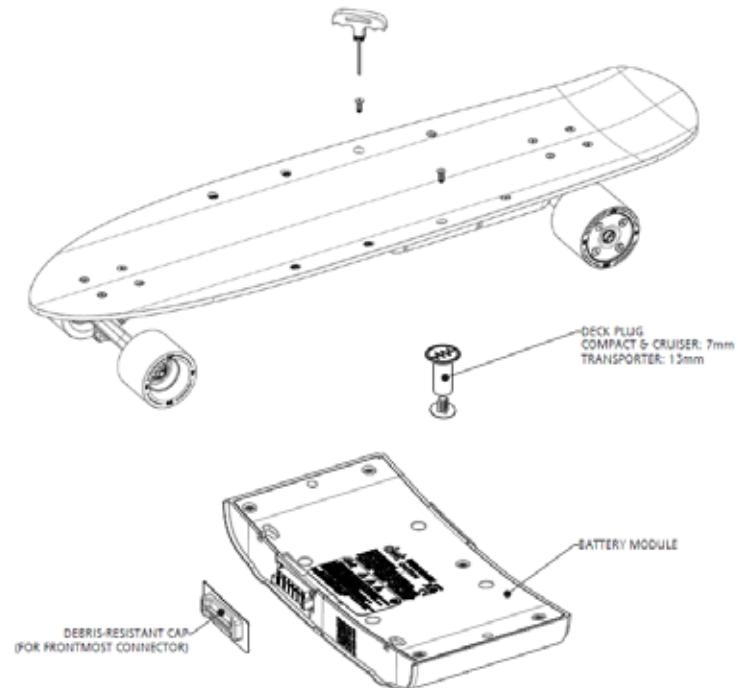
Depending on the model and configuration you purchased, your skateboard will come with one, two, three or four batteries already installed. If you wish to remove any batteries or wish to change out any dead batteries for new ones, here are the steps for removing batteries:

1. Ensure that the skateboard and the Remote control are turned off and the battery charging cable is unplugged from the electrical outlet and the magnetic connector is disconnected from the charging port of the Control Module.
2. Using the Dot Hex-drive tee bar provided, remove the deck screws from the topside of the deck of the battery or batteries that you would like to remove or replace. Make sure you support the batteries by hand.
3. Turn the skateboard over.
4. Remove the front deflection cover.
5. Remove the battery you want to remove or replace.
6. If you are replacing an old battery with a new one, please make sure to apply dielectric grease to the battery connectors prior to connecting the new battery.
7. If the end battery that is closest to the front of the skateboard does not have a Debris-Resistant Cap on the front of the battery, then install one prior to reinstalling the front deflector cap.
8. Slightly lift the end battery that is installed closest to the front of the skateboard and engage the clip of the front deflector cover to the battery and make sure it is securely in place.
9. While supporting the battery or batteries with your hand, carefully flip over the skateboard right side up.
10. Re-install battery case screws to secure all batteries back in place.
11. If you removed any batteries, fill the holes where the screws were with the deck plugs on the top and bottom of the deck.

12. Check your status light under the Main Controller charge port cover – you may need to wake the board up, by spinning a motor wheel. It's recommended that you charge all the batteries together once fitted, to ensure all the batteries are charged to the same level. The status light will indicate Green when charged, the Remote controller will confirm the charge level of the batteries once it is turned on.

Never overtighten the battery mounting screws or force a deck screw that could result in cross threading the mounting fixture. Always check you have the right length deck screw for your model. Always check your battery before installation for any signs of damage, bulging or leakage.

Improper use, storage, handling, disposal of battery or charger can result in fire, electrocution, serious injury or death.





The dot skateboard is supplied with a charging cable fitted with a magnetic connector. This cable is attached to your power adaptor which is connected to your mains outlet.

To charge the dot board skateboard, the charging cable MUST be connected in the following sequence:

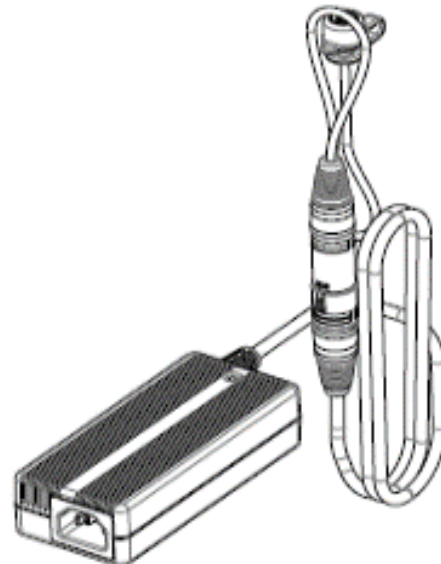
1. Remove the protective cap from the magnetic connector and inspect to ensure that the surface is clean.
2. Remove the charging port seal on the Main Controller Module and inspect to ensure that the port is clean.
3. Dock the magnetic connector to the charging port of the Main Controller Module, confirming the connector is securely connected.
4. Plug the power adapter plug into an electrical outlet.
5. The status light inside of the charging port will be flashing green when the batteries are charging and then turn solid green when fully charged.

The battery charging cable MUST be disconnected in the following sequence:

1. Disconnect the power adapter plug from the electrical outlet.
2. Remove the magnetic connector from the charging port on the Main Controller Module.
3. Refit the protective cap to the magnetic battery charging cable and put the protective seal back onto the charging port of the Main Controller Module.
4. Always put the protective seal back on to the charging port

to assist keeping water, dirt and other debris out.

- Do not charge the batteries at temperatures at or below 0°C or at temperatures at or above 40°C
- Disconnect the charger after it has been fully charged.
- Do not charge batteries for more than 8 hours
- Unplug the charger from the electrical outlet when not in use.
- Recharge the battery after every use
- Failure to periodically charge the battery may result in the battery not accepting a charge or decreased charge-holding capacity.
- Do not charge the batteries while unattended.
- The charger should be examined regularly for damage to the cord, plug, casing, and other parts. If the charger is damaged, or emits unusual odor or sounds immediately stop using the charger until it has been replaced. Use ONLY with the recommended charger designed specifically for the Dot Board.
- To reduce the risk of combustion, ignition, or explosion, always charge batteries in a well ventilated area and in noncombustible conditions



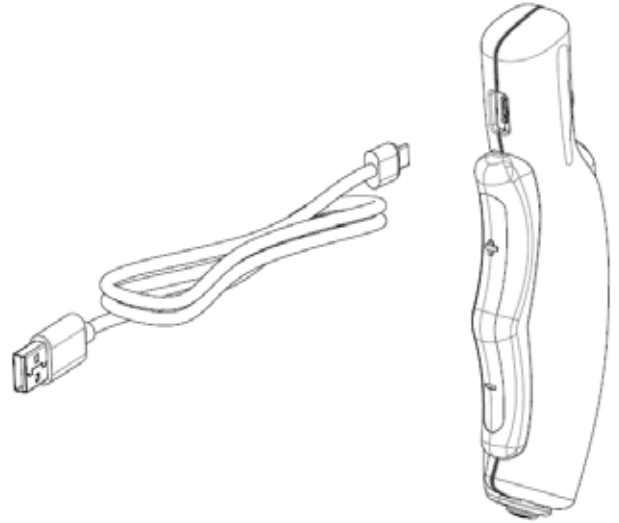


Your RC100 Remote controller comes with its own lithium Ion rechargeable battery. This is charged by a USB cable .We recommend you fully charge your Remote before first use.

Approximate Charge Time: 180 minutes

Charging The Remote Control Battery

1. Using the USB charging cable provided, connect the Micro USB connector to the Remote control.
2. Plug the USB charging cable into any USB outlet.
3. Check the level of charge on the Remote control by looking at the charge level of the display screen on the Remote





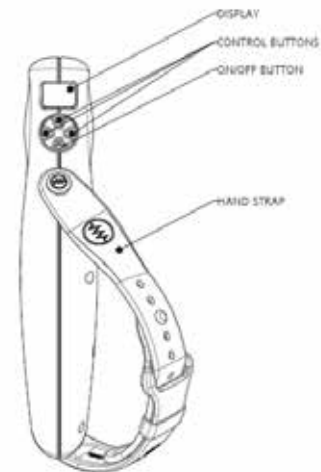
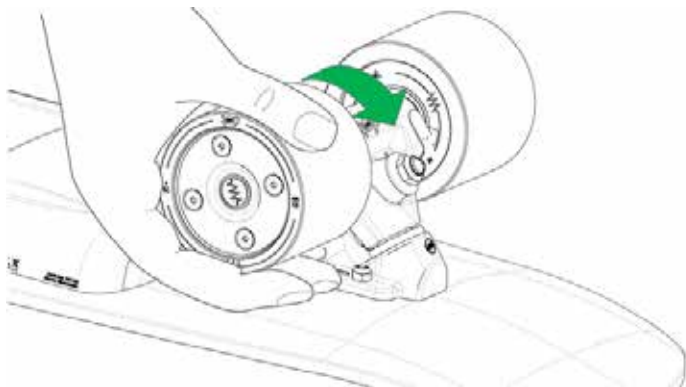
Your dot board comes paired with your Remote control from the manufacturer. If you lose pairing for any reason, you can pair the Remote and skateboard by doing the following:

1. Press the down button on the Remote control to power on the Remote control.
2. Put the dot board in an upside down position and spin either the hub motor wheel to turn it on.
3. Remove the charging port cover. There will be a flashing Cyan light that indicates that the Remote control and the skateboard are not paired.
4. Select the Remote pair option from the menu on the Remote control – refer to Remote menu features on page 22.
5. Spin-stop the hub motor wheel three times to initiate the board pairing process.
6. It will momentarily flash Magenta when the spin-stop is done correctly.

If successful, pairing will occur almost instantaneously. If pairing is not successful, the Main Controller will revert to Cyan light and the Remote will remain in pair mode.

Please visit www.dotboards.com for a video showing how to pair the skateboard with the Remote control.

While pairing your dot board with your Remote (while the board is upside down), the wheels will spin if you press on the accelerator. Keep fingers, hair, other body parts and your clothing away from the moving parts.





Turn on the Remote controller and main controller by pressing the down button. Once the Remote controller is powered on, the screen will initially display the dot Logo and then move to the Main menu screen, the battery levels for the Remote controller and the battery or batteries on the skateboard are shown. To turn off the Remote controller and main controller, hold the down button again. Turn Off will be displayed and then after a few seconds the Remote will shut down, followed by the main controller. Scrolling left and right will display the following information.

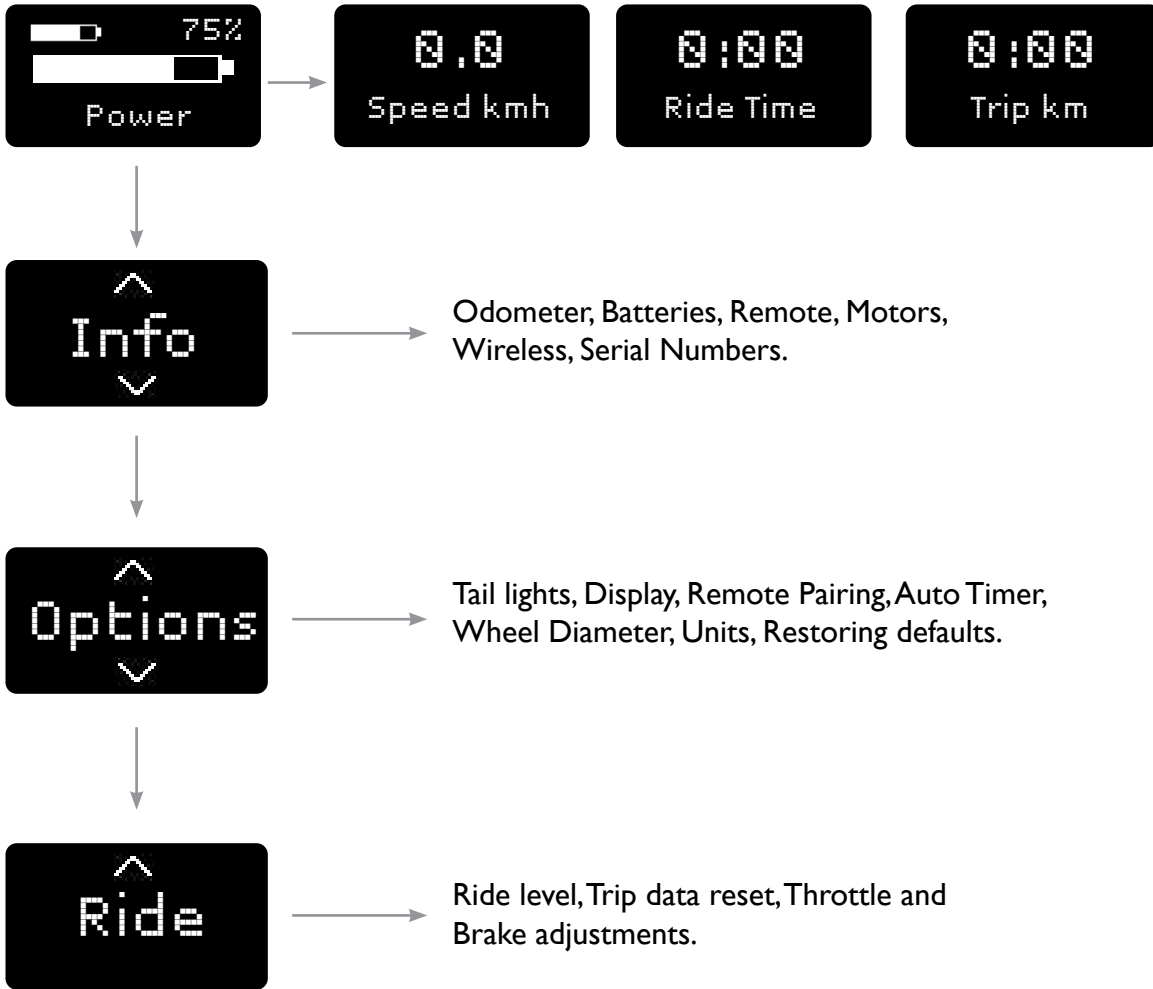
- Battery Status
- Speed (MPH/KPH)
- Ride Trip
- Trip (Miles/Km)

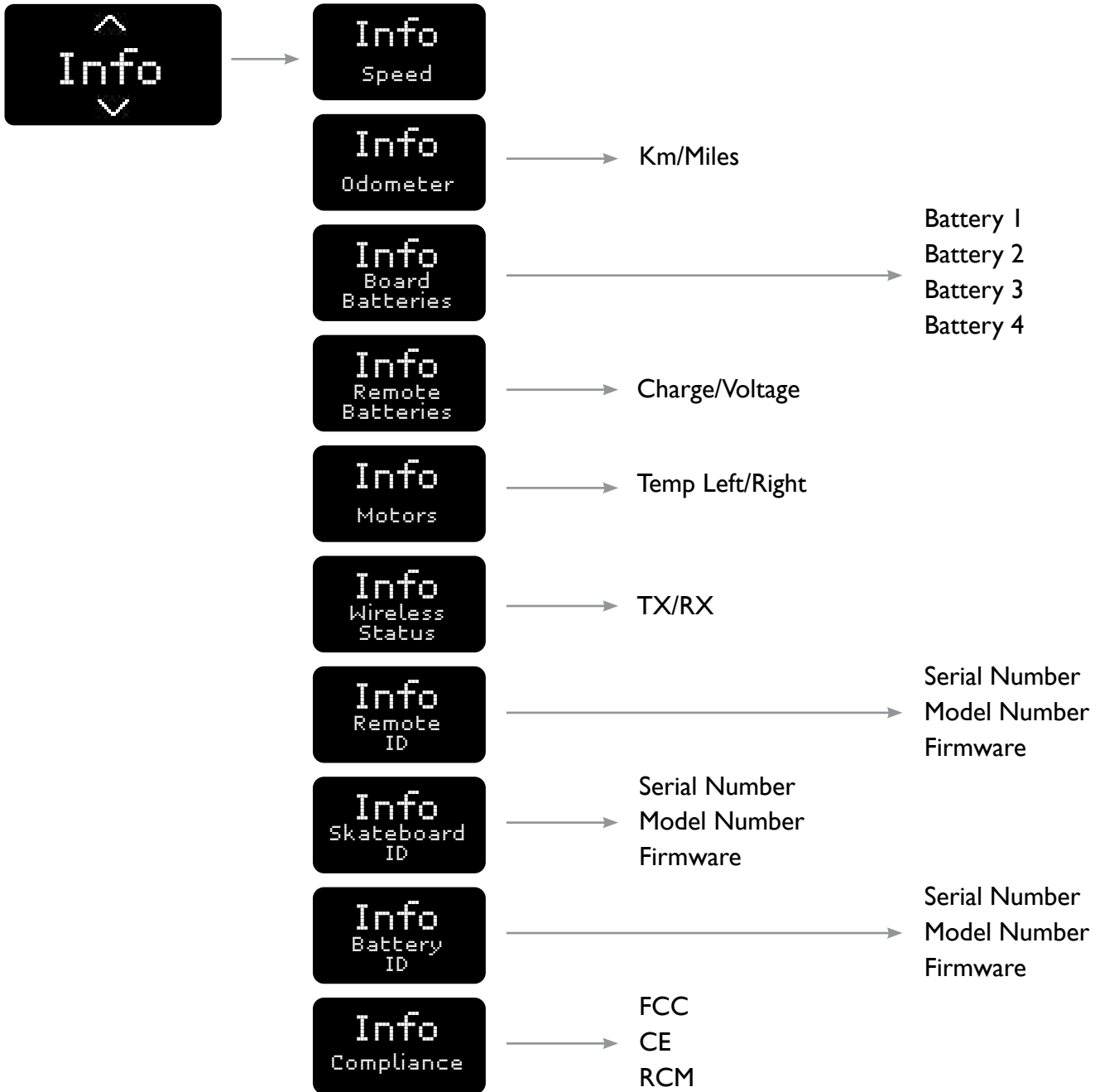
There are three main sub-menus on the Remote control – Info, Option, and Ride.

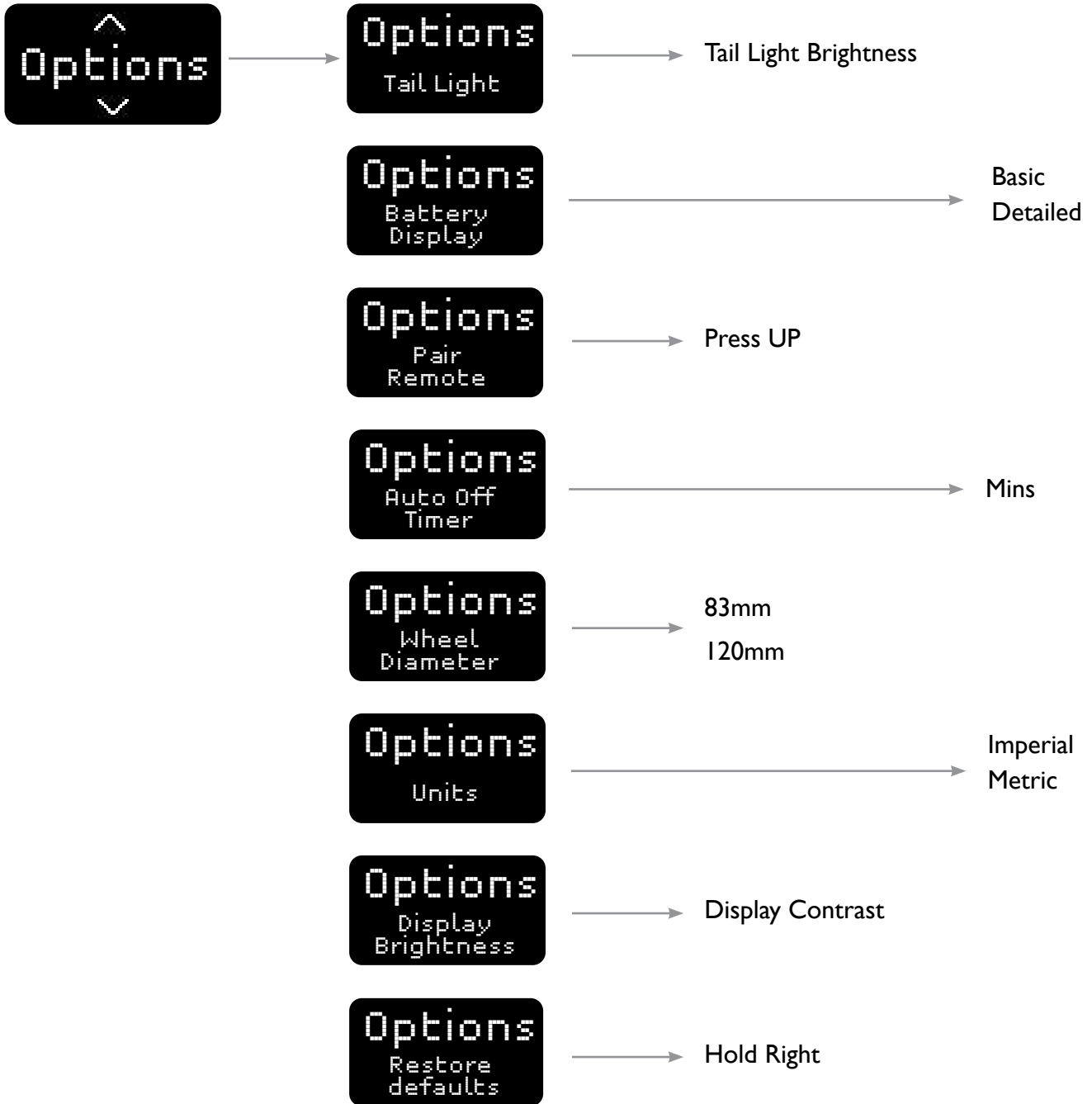
- Info
- Options
- Ride

Your Remote must be paired to show any board information or to adjust any board options. If your Remote is not paired, then a searching display will be shown on the Remote. This may also be shown if the board is still in sleep mode. Spinning a wheel will wake the board up.











Ride

Ride
Level

Novice
Eco
Expert

Ride
Trip Data
Reset

Trip

Ride
Throttle
Adjustment

Lower Dead Zone
Upper Dead Zone
Response Curve

Ride
Brake
Adjustment

Lower Dead Zone
Upper Dead Zone
Response Curve

THESE FEATURES ARE ONLY AVAILABLE IN EXPERT RIDE LEVEL ONLY



Info, Options and Ride each have their own features; here is a brief breakdown of each section and those features:

Info:

- Odometer – Measures the distance that the skateboard has travelled
- Board Batteries – Provides the level of charge for each battery on the skateboard
- Remote Battery – Provides charging rate and voltage of Remote battery
- Motors – Displays the temperature of each hub motor fitted
- Wireless Status – Provides the Transmit and Receive rates
- Remote ID – Displays Remote serial number, model number and firmware version
- Skateboard ID – Displays serial number for the Main controller, model number and firmware version
- Battery ID – Displays serial number for each of the batteries fitted, model number and firmware version
- Compliance – The required compliance standards for Remote Controller

Options:

- Tail Light – Use to adjust the brightness of the red rear lights
- Battery Display – Can choose between basic display or detailed display
- Pair Remote – Pairing the Remote and skateboard if they are not paired or pairing is lost
- Auto Off Timer – Adjust the timer to set when the skateboard will automatically turn off after period of inactivity
- Wheel Diameter – Used to switch between the 83 mm wheels or 120 mm wheels (120mm wheels are only available for the Transporter models)
- Units – Used to switch between the metric system and imperial system
- Display Brightness – Used to adjust the contrast of the display on the Remote controller OLED Screen
- Restore Defaults – Used to restore the Remote controller back to the factory default settings

Ride:

- Level – Choose between Novice, Eco and Expert Modes
- Trip Data reset – Used to reset the Trip data back to zero
- Throttle Adjustment – Used to adjust the Lower and Upper dead Zones and to adjust the response curve (Expert mode only)
- Brake Adjustment - Used to adjust the Lower and Upper dead Zones and to adjust the response curve (Expert mode only)

To help reduce possible serious injury or death, use your dot Board at the novice level until you are completely familiar with your dot board and Remote control and are able to safely operate your skateboard and set the ride level to the level that is appropriate to your abilities and experience.



Your dot Board can be set to Novice, Eco, or Expert level. The approximate maximum speed for all these ride levels are 30 kilometers per hour when using the 83 mm wheels. The approximate maximum speed for all ride levels for the Transporter model using the 120 mm wheel is 40 kilometers per hour.

Your dot Board comes set at the novice level as the default setting. It is recommended that you use your dot Board at the novice level until you are completely comfortable and familiar with using the dot Board and the Remote control and are able to safely operate your skateboard.

Changing the ride level

1. Turn on the Remote control and wakeup the skateboard with a push.
2. Click the down button on the Remote controller several times to reach the Ride menu.
3. Then click right to the ride sub-menus.
4. Use up/down to select the Ride level menu and then click right again.
5. Use up/down to select the desired Novice, Eco or Expert ride level.
6. Click left several times to return to ride status screens.





The Remote often shows a message on the display when an unexpected haptic occurs. So if it's unexpected, see the Remotes message. Otherwise the haptic is related to something more obvious happening, such as the Remote is being turned off.

When powering up the remote you will receive two haptics long buzz - short buzz.

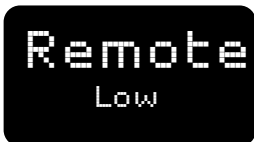
Then 3 seconds after the board powers up, You'll get short buzz indicating the motors are on-line.



When the board battery drops below ~20% while riding, you will feel 4 big buzz - buzz - buzz - buzz and the message Battery Low will be displayed. It will also provide a low battery warning when first turning on the board for pre-ride notification.



If you turn on the remote and it estimates below a certain threshold left, you'll get a haptic buzz and the Charge Remote message. This gives you a pre-ride warning.



If you are riding and the remote charge level drops below a certain threshold, you will receive a haptic buzz and the message, Remote Low. You should have enough to power your last trip, however ride with caution given the remote charge level is an estimate and will only operate as long as it has a charge.



If you receive an unexpected haptic notification from your Remote controller while riding, stop when safe to do so and check the Remote display for a warning message. This message may be important and should not be ignored. It may relate to the safe operation of your dot board.

Hot
Motor

You will get two short haptics buzz-buzz when the motors are hot. 3 short haptics buzz - buzz - buzz when the motors are near their safe operating limits. The system will reduce motor power as the temperature reaches the operating limit.

Low
Brakes

When the battery capacity is near full and regenerative battery is used, you will receive a haptic buzz every 3.5 seconds and the message Low Brakes will be displayed. If Braking continues, the frequency of the haptic alert will increase. This warning is important, as regenerative braking power will progressively reduce. Riders should respond to this message by immediately stopping safely. Braking power is restored as the battery charge is reduced.

Push
To start
Board

If you do not kick push to start your board before using the throttle, you will get two haptic buzz - buzz with the message on the remote. Push Board to Start.

When powering off the remote you will receive two haptics buzz - buzz to confirm turning off. This will also turn off the board if connected.



To operate your dot board, you will first need to set it up.

Fully charge your battery

Your Remote controller should arrive already paired. But if the pairing is lost pair your remote control with your dot board - please review page 20.

Before you ride your dot board Skateboard for the first time, we urge you to:

Read this owner's manual.

Make sure you understand all the safety messages.

Know how to operate all the controls.

Fully charge your board's batteries and Remote Controller battery.

Before each ride, be sure you:

Check your wheels for excessive wear.

Check and tighten all hardware, visually inspect wheel nuts and bushes, motor retaining pins and arrestor stickers.

Are wearing an approved helmet (with chin strap tightened securely), and other protective clothing.

Check the battery level on your Remote and skateboard prior to use. If the battery level on the Remote control is low, you run the risk of losing power and brakes.

Get Familiar With Your Dot Board

For your initial dot board rides and until you have mastered using your dot board and Remote control, we recommend that you go to an area away from cars, traffic, pedestrians, cyclist, obstacles and other hazards in order for you to practice and gain experience using the skateboard and the Remote control.

You should initially practice riding the dot board set to the novice level. You should continue to use your dot board in the novice level until you are completely familiar with the skateboard and Remote control features and are able to safely operate your dot board.

Protective gear

For your safety, always wear an approved Appropriate helmet, sturdy shoes, wrist guards and other protective gear (pads, long sleeves/pants).

Helmets

Your helmet is your most important piece of riding gear because it offers the best protection against head injuries. A helmet should fit your head comfortably and securely. A bright-colored helmet and reflective strips can make you more noticeable in traffic.

Not wearing a helmet increases the chances of serious injury or death in the event of a crash or accident. Be sure you always wear an approved helmet and other protective apparel when you ride your dot board.

Footwear

We recommend using footwear that is a closed-toe and with ankle protection when operating your device. Footwear needs to have good grip to ensure your feet remain secure during acceleration, braking, cornering and coasting. Make sure your shoe laces are not loose, as these could get caught up in the rear wheels whilst riding.



Starting And Stopping Your Dot Board And Using Your Remote Control

- Put on all safety gear.
- Press the down menu button on the Remote control button to turn the Remote control on.
- Turn on the skateboard by turning it upside down and then spinning one of the rear hub motor wheels in any direction.
- Once the Remote control and skateboard are turned on, the Remote control and the skateboard will pair automatically. Once paired, your skateboard is ready to ride.
- Hold the Remote in your hand.
- While on the dot board, push the skateboard with your feet as you would a non-powered skateboard.
- To increase speed, squeeze the accelerator (marked with a + symbol) on the Remote control. The accelerator will not work unless you first push the skateboard with your feet to get the skateboard moving. You will accelerate faster as you squeeze the accelerator harder.
- To reduce speed, squeeze the brake (marked with a – symbol) on the Remote control. You will slow down faster the harder you squeeze the brake.
- To turn, lean in the direction you want to go, as you would on a non-powered skateboard.
- To stop, apply the brakes until it is safe to place your foot on the ground and then step off the board.

To prevent being thrown off your skateboard as you accelerate or stop,

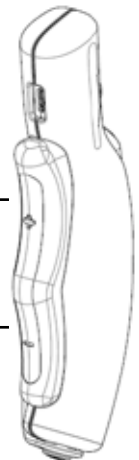
- Keep a wide stance while riding your dot Board;
- Keep a low center of gravity;
- Lean forward as you accelerate;
- Lean back as you brake; and
- Accelerate slowly.

Once the skateboard starts moving, the Remote control will continue to respond to the skateboard even if you are not on the skateboard. If you step off, fall off the skateboard, or are not on the skateboard while the skateboard is moving, the skateboard will continue to move even if you are not on it. Therefore, it is important that you use the Remote only while you are on the skateboard or while the skateboard is in the upside down position. In the event of a runaway skateboard, attempt to use the brakes on the Remote to stop the skateboard but be aware that it is possible that the brakes may not always work.

When you are turning the skateboard on while it is in an upside down position and you press on the accelerator, the wheels will spin. Keep fingers, hair, other body parts and your clothing away from the moving parts.

ACCELERATE

BRAKE





Your dot Board will come with one hub motor wheel or two hub motor wheels depending on the model and configuration that you have purchased. If you ordered your dot Board with only one hub motor and wish to add one more hub motor wheel, the following are the instructions for adding a hub motor wheel:

1. Make sure that the Remote control and skateboard are turned off by holding down the down menu button on your Remote control for a few seconds. Make sure that the charger is not connected to the battery charging port.
2. Remove the motor retaining pin arrestor sticker. (FIG. 1)
3. Unscrew the motor retaining pin with the Dot Hex-drive tee bar provided.
4. Slide the non-motor wheel off the axle.
5. Take the hub motor wheel and align the pin on the inside of the hub motor wheel with the groove on the hanger shaft. Don't force the motor!
6. Slide the hub motor onto the hangar.
7. Press the hub motor in as you insert the motor retaining pin. Make sure to use a fresh motor retaining pin and apply Loctite Thread locker (263) to the pin thread prior to inserting the motor retaining pin into the hanger – Check the hanger thread for any debris and clean.
8. Screw in the motor retaining pin using the Dot Hex-drive tee bar tool. Until it has fully seated with the hanger housing.
9. Clean Hanger where Arrestor Sticker seats to ensure good adhesion and apply the Arrestor Sticker over the motor retaining pin. See picture of tape application (FIG. 2).
10. Fit the wheel by sliding it over the hub motor and aligning the locking grooves.
11. Attach the wheel end cap with the 4 supplied screws with your Dot Hex-drive tee bar tool.

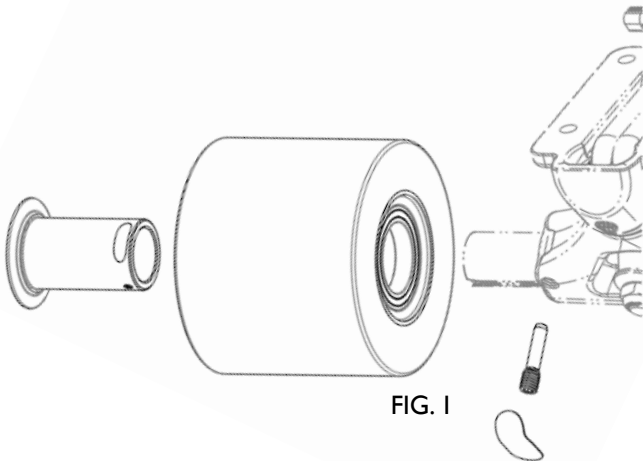


FIG. 1

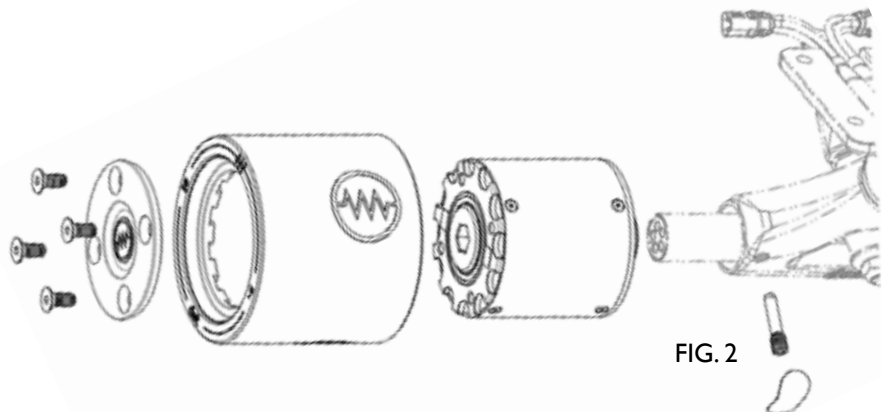


FIG. 2



The dot Transporter model has the option of swapping out the 83 mm wheels for the 120mm wheels. Here are the steps on how to swap out the 83 mm wheels for the 120 mm wheels:

Swapping Out The Front Wheels

1. Make sure that the Remote control and skateboard are turned off by holding down the down menu button on your Remote control for a few seconds. Make sure the charger is not connected to the battery charging port.
2. Using the skate tool included with your dot Board, remove the front wheel nut.
3. Remove the small washer.
4. Remove the front wheel.
5. Once you remove the wheel, you will see a second small washer on the axle. Leave this second additional washer in place. On occasion the second smaller washer may be stuck to the wheel you are removing. If you do not see the second washer on the axle, check the wheel for the washer and place the washer back on the axle.
6. Slide the 120 mm front wheel onto the axle.
7. Put the small washer that was removed earlier back on the axle and then put the wheel nut back in place.
8. Tighten the wheel nut then reverse the nut a $\frac{1}{4}$ turn to make sure the wheel can spin freely.
9. Place the hub cap by lining up the notches and pressing firmly in place.
10. Repeat this process for the other front wheel.

Swapping Out The Rear Wheel

1. Make sure that the Remote control and skateboard are turned off by holding down the down scroll button on your Remote control for a few seconds. Make sure the charger is not connected to the battery charging port
2. Using the supplied Dot Hex-drive tee bar, remove the four screws from the hub cap of the hub motor wheel.
3. Remove the hub cap.
4. Slide the 83mm wheel off the hub motor– it may require some force.
5. Clean you hub motor surface or any debris, dust or grease..
6. Align the notches on the inside of the rear 120mm wheel with the notches of the hub motor and slide the wheel onto the hub motor.
7. Refit the hub cap back onto the 120 mm wheel and screw the four screws back onto the hub cap.
8. Repeat this process for the other rear wheel.

Changing The Wheel Setting In Your Remote

You need to change the wheel size fitted, in the option menu of your paired Remote. This is to make sure the speed and motor calibrations are correct.

1. Press the down button on the Remote control to power on the Remote control.
2. Put the bot board in an upside down position and spin the hub motor wheel to turn it on.
3. Go to the option menu in your Remote and select Wheel Diameter.
4. Change your wheel diameter from 83mm to 120mm.
5. Test your boards motor operation before use while it's upside down.
6. To change back to 83mm wheels, repeat the procedure.



UPDATING YOUR SKATEBOARDS MAIN CONTROLLER AND REMOTE CONTROLLER

The dot Hub Tool has been designed as a software tool for your dot board skateboard and Remote controller. The dot hub tool is downloaded from www.dotboards.com

Minimum Requirements

Before installing dot board firmware tool, please ensure that your PC or MAC meets the following minimum requirements:

General Requirements

Windows 2000/XP/Vista/Windows 7~10 operating systems/
MAC OSX 10.14

Standard USB port 2.0 or 3.0

USB A to Micro-B USB cable

At least 40Mb of hard drive spare required

Windows 95,98,Windows ME,Windows NT are not supported on PC

Note: for Windows 2000, XP,Vista and Windows7

You must be logged into the system with Administrator rights to install the firmware tool.

On Windows Vista and Windows 7, always install the software using “Run as Administrator” to start the installer. If you are unsure if you have Administrator rights, please verify first before installing software.

Windows 8 and Windows 10 Security might require you have the latest FTDI drivers installed. Go to <https://www.ftdichip.com/FTDrivers.htm> if you are having trouble with your drivers.

Firmware Updating

Follow the installation instructions that come with the firmware tool download. These instructions will have detailed sections on updating your Main controller and Remote controller.

Latest firmware updates are available to registered users via their email address or go to the dot boards website support page.

Note: When updating your Main controller via USB. Do Not Have The Power Adaptor And Magnetic Cable Connected For Charging. The USB port will supply firmware power to the Main Controller, even if the batteries are running low.

The dot board firmware tool, will automatically scan your device once its connected. It will display the following:

- Current Firmware Status
- connection status
- device serial number
- device variant
- device firmware
- Loaded firmware status
- file version
- file device variant
- update status





If you won't be riding for an extended period, such as during the winter, thoroughly inspect your dot board and correct any problems before storing it. That way, it will be ready to go as soon as you are.

We suggest you perform the following procedures to keep your dot board in top condition and will reduce the deterioration that can occur during storage.

Preparation For Storage

- Clean your dot board, check pivot bushes and wheels bearings.
- Check the maintenance section for further instructions.
- Store your dot board in a dry, unheated area that is away from sunlight and with minimal daily temperature variation.
- Use the dot boards carry case to store your board.
- Follow the advice on battery safety.

General Storage

In order to maximize the life of the batteries, they should be stored indoors at a temperature between 10°C and 25°C.

Storage Periods 2 To 4 Weeks

- The recommended state of charge (SoC) at the start of storage should be between 30% and 50%.
- Every 4 weeks of storage, charge the battery module to within 30% to 50%.
- Boards fitted with multiple battery modules can be expected to reduce in charge at a slower rate.

Storage For Extended Periods.

Battery modules removed from the board can be stored separately for longer periods. See Removing or Replacing Batteries.

- Prior to storage, charge the battery module(s) between 30% to 50%.
- Every 6 months, install the battery module(s) and charge to within 30% to 50%. Then return to storage.
- Refer to battery safety for correct handling of removed battery modules and cap usage.

Note: After reconnecting the batteries, the dot board should be powered on to allow for an electrical system test.

Removal From Storage

1. Unpack your dot board.
2. Fully charge the board. Refer to Charging the Battery modules
3. Perform a visual check over, check your Remote battery level.
4. Perform a pre-ride inspection Refer to Before Riding section, then test ride your dot board at low speeds.

Note: Please follow the guidelines for charging your dot board batteries. If your board has been stored for a long period of time, please check for any firmware updates that may have come out during the storage of your board. Check to make sure your batteries are charging to full capacity.



The dot boards can be checked in during airline flights with the supplied dot board case – however, the battery modules and Remote controller must be carried as “carry-on” luggage during flights.

Whenever flying with your dot board, always follow instructions from authorized air travel personnel, including pilots, flight attendants, airline ground staff, transportation security, police and other security personnel. Airline security information changes often, before you fly please check <https://www.casa.gov.au/standard-page/travelling-safely-batteries> for the latest updates on flying with batteries.

Additionally, here are some tips for flying with your dot board:

- Remove the batteries and Remote from your dot board whenever flying.
- Place the protective red safety caps or protective stickers on all battery connectors. For added safety measure, place each battery in its own plastic zip lock bag (one battery per plastic bag) so that the battery connectors do not come in direct contact with any other object.
- Pack the batteries and Remote controller into your “carry-on” luggage
- Check in the dot board as your check in luggage.
- Do not use or transport a dot battery if the casing breaks open, leaks any substance, becomes excessively hot, or if you detect an unusual odor.
- If you notice a problem with your battery when flying, alert airline personnel immediately.
- Lithium-ion batteries are regulated as “Hazardous Materials” by the U.S. Department of Transportation and care should be taken when shipping your board.

Regulations Of Lithium Batteries And Airline Safety.

Most airlines have a limit of 99Wh per unit. Batteries under 99Wh, these refer to:

The batteries that power your phone, laptop and camera are usually under the 99 watt-hour (Wh) rating.

If you’re carrying a spare battery that’s not in one of these devices, it must be in your carry-on baggage only.

Spare batteries, regardless of their size are not to be carried in checked luggage.

There may be a limit of total spare batteries per person – depending on your flight carrier. These batteries must only be packed in carry-on luggage and should have their terminals individually protected to minimise the risk of contact other metal objects in your luggage. See “BATTERY SAFETY” page 18
Your BM100 dot board battery modules are under the 99 Wh rating and are also certified and tested to UN38.3. These ratings are marked on the underside of your battery modules if requested.





All sales of dot Boards are final. Dot Board products cannot be returned unless the product qualifies for repair or replacement under this limited warranty as set out below.

The dot Board is covered by a one-year manufacturer's warranty that covers defects in material and workmanship. The one year limited warranty period starts from the date of first retail purchase of the product.

This limited warranty is extended to the original retail purchaser only. You must be able to show that you purchased the dot Board, so please keep your proof of purchase.

You will be responsible for packing and shipping the product back to us for warranty claims. Therefore it is important that you keep the original packaging during the warranty period.

Email us for all warranty claims at info@dotboards.com. Please include your proof of purchase and the description of the defects. If it is determined that the defect may be a potentially covered warranty claim, the purchaser is responsible for proper packaging, adequate insurance and shipment of the product to us for inspection. If after inspecting the product and it is determined that the defect is a covered warranty claim, you will be reimbursed for the shipping and insurance charges that you incurred to ship the product back to us. So, please keep proof of shipping and insurance charges. We have the right to reasonably make any warranty claim decisions.

If it is determined that the defect is a covered warranty claim, our warranty obligation is limited to repairing or replacing the defective part.

This limited warranty does not cover normal wear and tear or any damage, failure, or loss caused by improper assembly, maintenance, repair, storage or use of the product.

This limited warranty does not cover damages caused by alternation, disassembly, attempted repair or tampering of the hub motors, control modules or batteries or use of parts not manufactured or sold by us.

This limited warranty does not cover damages caused by neglect or improper use. Improper use of the dot board include but not limited to: riding in sand, dirt, mud, unpaved surfaces, street racing, hill racing or other similar activities; ramp jumping; stunt jumping or similar activity.

This limited warranty will be void if the product was used in any manner other than for recreational, transportation or any component parts are modified, manipulated or tampered with. We are not liable for incidental or consequential loss of damage caused by directly or indirectly to the use of this product.

The dot board is designed to use used under fair weather conditions. This limited warranty claim does not cover damage caused by riding the dot board on wet surfaces, through water, in the rain, snow, icy or any other harsh weather conditions

GLOBE INTERNATIONAL LTD., OSATA ENTERPRISES, INC., AND GLOBE EUROPE SAS (collectively "COMPANY") MAKES NO OTHER WARRANTY, EXPRESS OR IMPLIED, INCLUDING ANY WARRANTY OF MERCHANTABILITY OR FITNESS FOR A PARTICULAR USE, IN NO EVENT SHALL OSATA BE LIABLE FOR INCIDENTAL CONTINGENT, SPECIAL OR CONSEQUENTIAL DAMAGES IN CONNECTION WITH THIS WARRANTY. SOME STATES DISALLOW CERTAIN DAMAGE EXCLUSIONS, SOME OF THE ABOVE LIMITATIONS OR EXCLUSIONS MAY NOT APPLY TO YOU.

INSURANCE

CHECK WITH YOUR INSURANCE COMPANY OR INSURANCE AGENT TO SEE IF YOUR INSURANCE WILL PROVIDE COVERAGE FOR LIABILITY INVOLVING THE USE OF THE DOT BOARD.



dot board deck, RC100 Remote, BM100 Battery, MC100 Controller, Mains Power adaptor

Covered by the following compliance standards:

Emissions: FCC: Part 15 - Class B, CE, LVD, CAN ICES-3 (B)/NMB-3(B) and RED

Environmental: RoHS, Reach, WEEE, Level VI Power Compliance

Safety: 60335.1:2017/ 60335.2.114, UN38.3, UN 38.3, IEC 62133, MD

Contains Radio 2.4G RF transmitter ID: FCC ID: 2AD66-RF2401F20



FCC Interference Statement (USA) This equipment has been tested and found to comply with the limits for a Class B digital device, pursuant to part 15 of the FCC Rules. These limits are designed to provide reasonable protection against harmful interference in a residential installation. This equipment generates, uses and can radiate radio frequency energy and, if not installed and used in accordance with the instructions, may cause harmful interference to radio communications. However, there is no guarantee that interference will not occur in a particular installation. If this equipment does cause harmful interference to radio or television reception, which can be determined by turning the equipment off and on, the user is encouraged to try one or more of the following measures:

Reorient or relocate the receiving antenna.

Increase the separation between the equipment and receiver.

Connect the equipment into an outlet on a circuit different from that to which the receiver is connected.

Consult the dealer or an experienced radio/TV technician for help.

For additional help visit support. www.dotboards.com

FCC Caution: Any changes or modifications not expressly

approved by the party responsible for compliance could void the user's authority to operate this equipment. This device complies with Part 15 of the FCC Rules. Operation is subject to the following two conditions: (1) This device may not cause harmful interference, and (2) this device must accept any interference received, including interference that may cause undesired operation.

Industry Canada Compliance Notice

This device complies with Industry Canada ICES-003 standard(s). Operation is subject to the following two conditions: 1. this device may not cause interference, and 2. this device must accept any interference, including interference that may cause undesired operation of the device. This Class B digital apparatus complies with CAN ICES-3(B)/NMB-3(B)

IMPORTANT: RADIATION EXPOSURE STATEMENT.
THIS EQUIPMENT COMPLIES WITH FCC RADIATION EXPOSURE LIMITS SET FORTH FOR AN UNCONTROLLED ENVIRONMENT. END USERS MUST FOLLOW THE SPECIFIC OPERATING INSTRUCTIONS FOR SATISFYING RF EXPOSURE COMPLIANCE. TO MAINTAIN COMPLIANCE WITH FCC RF EXPOSURE COMPLIANCE REQUIREMENTS, PLEASE FOLLOW OPERATION INSTRUCTIONS AS DOCUMENTED IN THIS MANUAL.



European Union Notice: Radio products with the CE marking comply with the Radio Equipment Directive(2014/53/EU), the EMC Directive (2014/30/EU) and the Low Voltage Directive (2014/35/EU) issued by the Commission of the European Community. Compliance with these directives implies conformity to the following.

These products are designed to be compliant with the rules and regulations in locations where they are sold and will be labeled as required. These products are type approved — users are not required to obtain license or authorization before using.

This product has been certified as conforming to technological standards. Therefore the following actions are punishable by law:

Disassembly or modification of the product.

Removal of identification labels on the back of the product.

CAUTION: Changes or modifications to the device not expressly approved by dot board boards can void the user's authority to operate the equipment.

The frequency used by this product is also used by industrial, scientific and medical devices, such as microwave ovens, as well as wireless detectors for motion detectors, such as those requiring licenses used on manufacturing lines or similar radio transmitters (all these wireless devices will be called “other wireless transmitters” below). Most modern electronic equipment, (e.g. in hospitals and cars), is shielded from RF energy. However, certain electronic equipment is not.

Please ensure that all medical devices used in proximity to this device meet appropriate susceptibility specifications for this type of RF energy.

In the unlikely event that there is electronic interference between this system and other wireless transmitters, quickly change the location of operation or stop operating the unit (cease signal transmission).

If other electrical interference or related problems should occur, contact technical support at www.dotboards.com



CE Marking & European Union Compliance

Products intended for sale within the European Union are marked with a CE Mark, which indicates compliance to applicable Directives and European Normes (EN), as follows:

Applicable Directives:

Machine Directives 2006/42/EC Annex I, 2006/95/EC, EMC Directive 2014/30/EU, LVD 2014/35/EU, Radio Equipment Directive 2014/53/EU, RoHS 2011/65/EU, REACH No 1907/2006 and WEEE 2012/19/EU

European Norms:

EN 2006/42/EC Annex I (Machine Directive)
 EN 300 328 V2.1.1 (Radio) – GFSK Transceiver 2402-2480Mhz – EIRP 8.91 dBm
 EN 301 489-1/-17 (EMC)
 EN 55012, 55014-1 6100-6-1 Electromagnetic Compatibility (EMC)
 EN 60335-1:2012 + A11:2014 + A13:2017 (Electrical Safety)
 EN 62133-2 (Battery safety), + UN 38.3
 EN 62479:2010 (health and Safety)

Local laws and Regulations

Many governmental authorities regulate use of electric rideable vehicles like the dot board on public roads and sidewalks. In addition to other requirements, these laws and regulations may prescribe minimum ages for the dot board users and may set speed limits and mandate protective gear for riders. Some governmental authorities prohibit use of dot board on public roads and sidewalks.

You should consult local authorities to become familiar with applicable laws and regulations. (In the USA, many of these laws use the term “Electric Personal Mobility Device” or “Personal Motorized Mobility Device,” or “Electric Skateboard” which are specifically defined to include the dot board skateboard.)

CE Declaration of Conformity

Globe International Limited (Trading as dot push)

1 Fennel Street
 Port Melbourne, VIC 3207
 Australia

To which declares that these products described is in conformity with The Machinery Directive: 2006/42/EC, RED Directive: 2014/53/EU and RoHS: 2011/65/EU

Applicable Harmonized standards:

EN 62479:2010, EN 60335-1:2012 + A11 + A13:2017 (Safety)
 EN 300 328 V2.1.1 (2016-11) (Radio)
 ETSI EN301 489-1 V2.1.1, ETSI EN301 489-17 V3.1.1, EN 61000-6-1:2007,
 EN 55012:2007/A1:2009, EN 55014-1:2017 (EMC)
 EN ISO 12100:2010, EN 60335-1:2012 + A11 + A13:2017 (MD)

Signed for and on behalf of

Globe International

Place and date of Issue: VIC Australia, 29 OCT 2019





This product should be recycled at the end of its useful life.

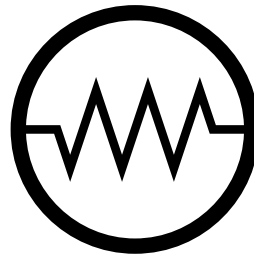
The battery module must be removed from the product and recycled – see battery installation section for removal instructions. The Remote controller must be removed from the product and recycled. It contains a rechargeable Lithium Ion battery.

Keep the battery module and Remote controller together – DO NOT open to remove battery cells. For specific disposal instructions of batteries, please contact ABRI (Australian Battery Recycling Initiative) www.batteryrecycling.org.

Information on your local battery recycle disposal center, can be found on the ABRI website.

- If this unit shows any type of damage, such as bulging, swelling, or disfigurement, discontinue use and immediately contact dot boards..
- Always store batteries in accordance with the manufacturer's recommendations. Terminal caps should be fitted on terminals.
- Dispose of used batteries in accordance with the prevailing community regulations that apply to the disposal of batteries.
- Never dispose of used batteries with other ordinary solid wastes. Don't throw used batteries in the fire – risk of explosion.
- Batteries contain toxic substances that can be harmful to the environment.





*INFORMATION AND INSTRUCTIONS MAY CHANGE OVER TIME.
FOR THE MOST UPDATED INFORMATION AND INSTRUCTIONS
PLEASE VISIT www.dotboards.com AND CLICK ON THE SAFETY/MANUAL BUTTON

US 07-17-2020