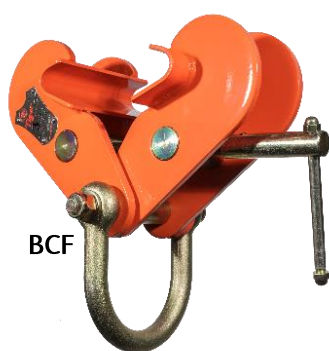
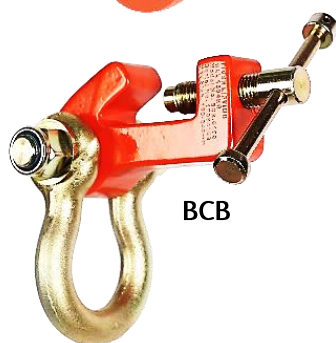


Tiger Clamp Range

A range of Tiger clamps for a variety of applications
ASME B30.20 - AS 4991 - EN13155



- Universal Plate Clamp | CPU
- Vertical Drum Clamp | CDV
- Drum Lifting Clamp | CDL
- Concrete Pipe Lifting Clamp | CPL
- Horizontal Plate Clamp | CPH
- Screw Cam Clamp | CSC
- Safety Screw Cam Clamp | CSA
- Rail Clamp | CRT
- Bulb Flat Bar Anchor/Clamp | BCB
- Universal Beam Clamp | BCU
- Adjustable Angle Beam Clamp | BCA
- Fixed Jaw Heavy Duty Beam Clamp with Shackle | BCF



Our innovation, your safety

Certification:

Each unit comes fully certified with a test certificate or an EC Declaration of Conformity stating compliance with the essential health and safety requirements of the Machinery Directive 2006/42/EC.

All Tiger Clamps units meet the requirements within ASME B30.20, the Australian Standard AS 4991 and EN13155:2003+A1:2009. All items comply with the essential health and safety requirements of the Machinery Directive 2006/42/EC. Heavy duty markings show the relevant jaw widths, working load limits, serial numbers and year of manufacture.



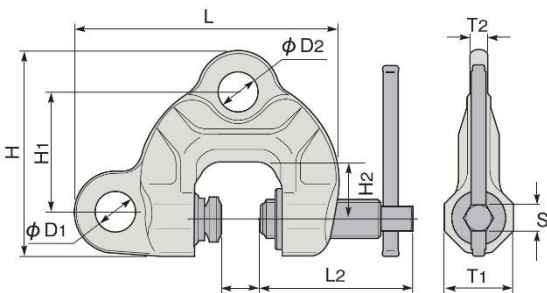
CSS – Safety Screw Cam Clamp



The Tiger CSS safety screw cam clamp with Double Eye Anchor Points & Safety Torque Feature is suitable for many applications. This screw cam clamp is for all-purpose uses, such as lifting, lateral pulling and turning over materials. Adequacy of tightening can be visually confirmed by the visual torque safety feature.

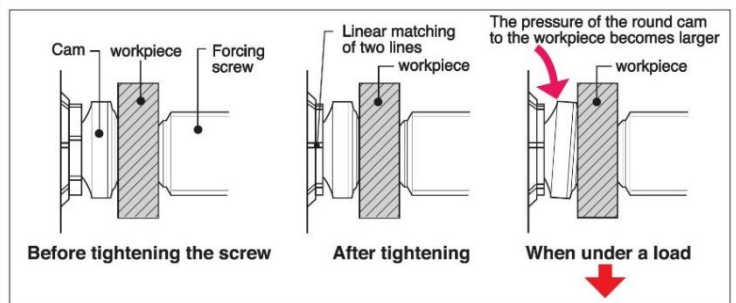
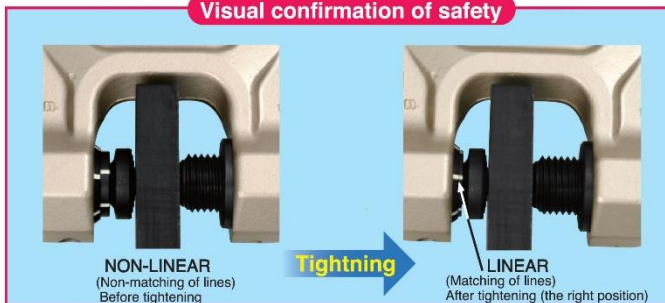
Features:

- Spherical universal designed screw cam provides an extra powerful clamping force on a workpiece even when vibrations occur during operation.
- Cam holder and collar have phosphorescent (glow-in-the-dark) paint for easy recognition of adequate torque tightening.

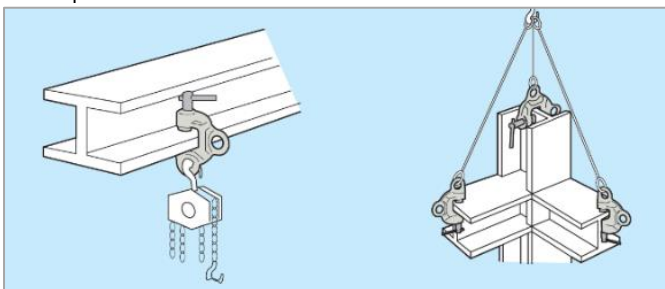


Product Code	Capacity (tonne)	Jaw Opening (mm)	Dimensions (mm)										Net Weight (kg)
			L	L2	H	H1	H2	D1	D2	T1	T2	S	
CSS-0050	0.5	0-25	158	89	121	72	30	27	27	46	13	17	1.9
CSS-0100	1.0	0-40	208	121	161	94	45	32	32	54	14	21	3.6
CSS-0200	2.0	0-40	227	121	177	105	45	36	32	60	18	21	4.8
CSS-0320	3.2	0-40	252	136	196	119	50	45	35	64	20	21	7.0
CSS-0630	6.3	0-50	291	151	225	132	55	50	41	90	43	21	17.0

Visual confirmation of safety



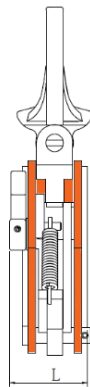
Examples of use:



Always lift workpieces at two or more points for safety.



CPU - Universal Plate Clamp



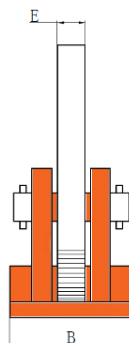
The Tiger CPU Clamp can be used for lifting and transporting steel plates and structures from all positions (horizontal, vertical and sidelong). As well as transporting plate, this clamp is well-suited to turning over steel structures and welded constructions. It has an articulated lifting shackle so can be fitted to a steel plate in any position. It is designed to be used with a two leg chain sling for lifting longer plates without the need for a spreader beam. The CPU is equipped with a pre-tension mechanism ensuring the clamp does not slip when lifting force is applied and when a load is being lowered. For use with plates with surface hardness of up to 300 Brinell (HB) / 32 Rockwell C (HRC).

Plate Clamps should not be used if the surface temperature of the material being lifted is above 100°C. (212°F). The ambient temperature of the operating environment should not be lower than -20°C (-4°F) and not be higher than +50°C. (122°F).

Product Code	Capacity (tonne)	Jaw Opening R (mm)	Dimensions (mm)				Net Weight (kg)
			T (mm)	U (mm)	V (mm)	L (mm)	
CPU-0050	0.5	0-15	205	30	105	48	2.0
CPU-0100	1.0	0-20	300	50	145	66	5.0
CPU-0200	2.0	0-25	385	68	175	75	8.0
CPU-0320	3.2	0-30	430	75	215	102	15.0
CPU-0500	5.0	0-50	500	68	232	112	21.0



CPH - Horizontal Plate Clamp



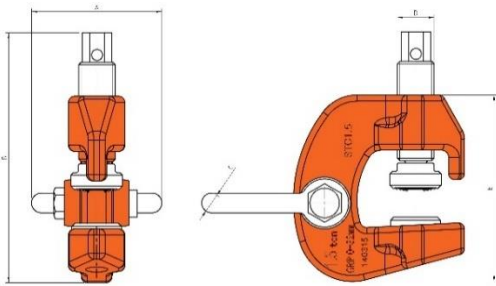
The Tiger CPH clamp is a horizontal lifting clamp intended to be used in pairs, sets of pairs, or in a tripod arrangement for transporting steel plates horizontally. They can be used to lift all types of materials in plate form providing that the plate can withstand the forces imposed on it. These clamps are only suitable for lifting single plates with a surface hardness below 300 Brinell (HB) / 32 Rockwell C (HRC).

Product Code	Capacity (tonne)*	Jaw Opening C (mm)	Dimensions (mm)					Net Weight (kg)
			A (mm)	B (mm)	C (mm)	D (mm)	E (mm)	
CPH-0050	0.5	0-35	140	65	38	20	16	2.3
CPH-0100	1.0	0-60	180	80	68	25	16	5.8
CPH-0200	2.0	0-60	180	80	68	25	16	6.7

*Capacity per set of two



CSC - Screw Cam Clamp



The Tiger CSC 'swivel hook' screw cam clamp is suitable for many applications. It is particularly useful for lifting and pulling sheet metal, girders, and steel constructions. It is fitted with a moveable cam on the thread spindle which provides a powerful clamping force on the object being moved.

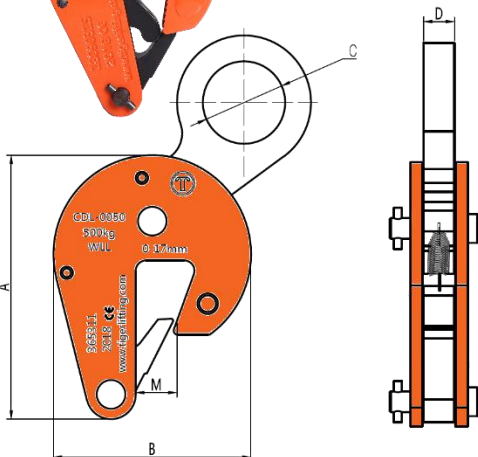
It can be used for lifting and transporting a large variety of different shaped steel, ranging from steel plates and structured steel to curved and spherical shaped steel. As well as transporting plate, this clamp is well-suited to turning over steel structures and welded constructions. It is also designed to be used in conjunction with a Tiger lever hoist to align steel structures of fabrications. These clamps are ideally suited for the construction industry.

When loaded, the Cam swivels in proportion to the load applied and the teeth edges of the cam bite into the plate to increase the clamping force, even when vibrations occur during operation.

Product Code	Capacity (tonne)	Jaw Opening (mm)	Dimensions (mm)					Net Weight (kg)
			A (mm)	B (mm)	C (mm)	D (mm)	E (mm)	
CSC-0050	0.5	0-28	52	158	11	18	105	0.7
CSC-0150	1.5	0-32	77	210	16	30	152	4.0
CSC-0300	3.0	0-50	88	270	19	36	191	6.0
CSC-0600	6.0	0-75	153	290	32	45	255	18.0



CDL - Drum Lifting Clamp



Tiger CDL drum lifting clamp has been designed to lift and transport steel drums and is lightweight and easy to use. If you are lifting empty or sealed drums, then one clamp is sufficient on its own. If you are lifting an open full drum, then two clamps should be used with a two-legged sling.

Product Code	Capacity (tonne)	Jaw Opening M (mm)	Dimensions (mm)				Net Weight (kg)
			A (mm)	B (mm)	C (mm)	D (mm)	
CDL-0050	0.5	0-17	128	96	40	16	1.6

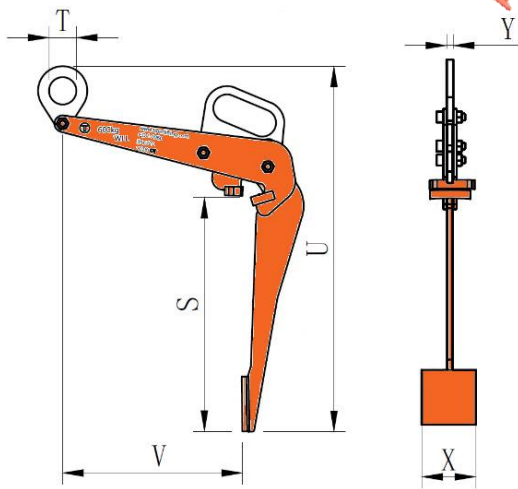


CDV - Vertical Drum Clamp



The Tiger CDV-0060 drum clamp has been designed to lift and transport drums in the vertical position.

One clamp can be used to lift drums with or without their lids by gripping the rim of the drum. Its lightweight and small overall design makes it ideal for picking up drums that sit tightly on pallets. The centre of gravity of the drum is below the lifting point during transportation.



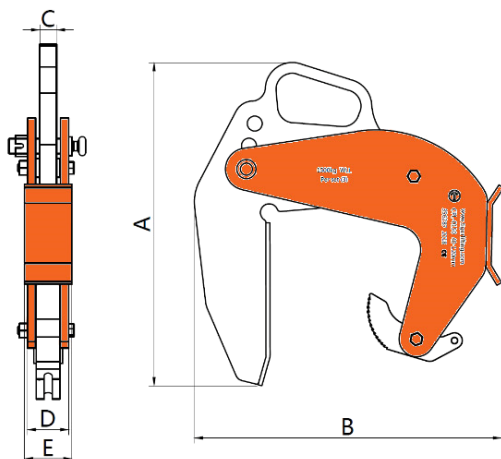
Product Code	Capacity (tonne)	Dimensions (mm)						Net Weight (kg)
		U (mm)	S (mm)	V (mm)	T (mm)	X (mm)	Y (mm)	
CDV-0060	0.6	765	434	305	50	100	12	7.0



CPL - Pipe Lifting Clamp



The Tiger CPL pipe lifting clamps are used in sets of three for the vertical transportation of concrete pipe sections with a diameter of up to 2m. The jaw capacity is designed for pipe thickness of 40-220mm for the 1.5t capacity set and 90-220mm for the 3.0t capacity set. Attachment and removal of the clamps from the pipe is extremely easy due to the simple and straightforward design. For concrete according to DIN4034. The capacities shown are based on a set of three clamps.



Product Code	Capacity (tonne)*	Jaw Opening (mm)	Dimensions (mm)					Net Weight (kg)
			A (mm)	B (mm)	C (mm)	D (mm)	E (mm)	
CPL-0150	1.5	40-120	415	361	20	54	64	12.3
CPL-0300	3.0	90-220	490	486	25	61	70	27.5

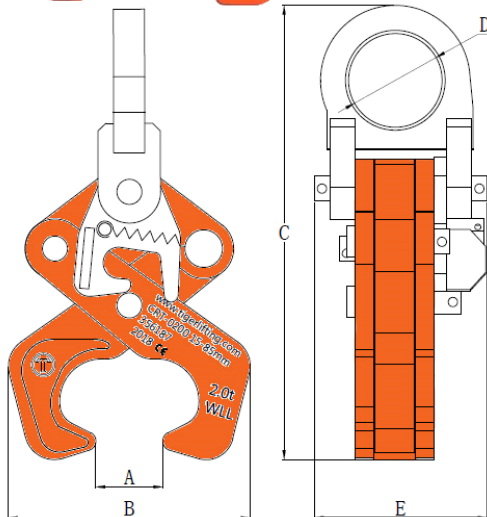
*Capacity per set of three



CRT - Rail Clamp



The Tiger CRT rail clamps are designed to lift lifting and pulling single rails lengthways and crossways, securely and safely. The clamps are designed to fit most types of rail section currently in use. The clamps are locked onto the rail-head via a lever operated spring mechanism. Very solid, practical design with low dead weight. For rail sizes S49, S54, S60s, UIC60.



Product Code	Capacity (tonne)	Jaw Opening A (mm)	Dimensions (mm)				Net Weight (kg)
			B Max (mm)	C Max (mm)	D (mm)	E (mm)	
CRT-0200	2.0	15-85	170	302	60	111	6.2

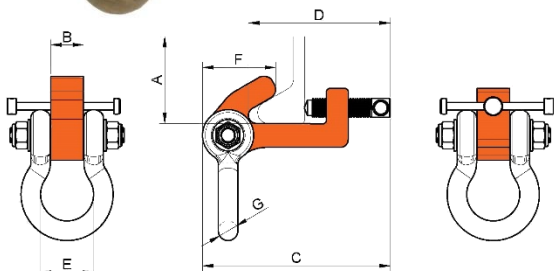
4.0t capacity available to order



BCB - Bulb Flat Bar Anchor/Clamp



The Tiger BCB bulb bar anchor is designed for attaching to bulb profiles of bulb flat bars approved for lifting applications. These are often found in ship compartments, engine rooms and overhead bridge deck structures. The bulb bar anchor provides a semi-permanent lifting point. The large integrated shackle gives easy connection for all different types of lifting machines. This model must NOT be used for lifting beams. It is a suspension point.

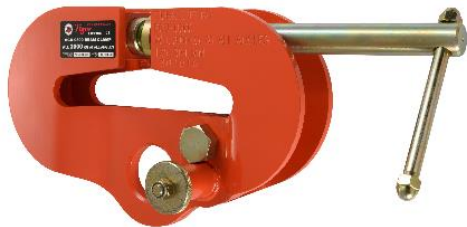


Product Code	Capacity (tonne)	Dimensions (mm)							Net Weight (kg)
		A	B	C	D	E	F	G	
BCB-0150	1.5	160-240	35	173-200	125-151	58	71	22	3.6
BCB-0300	3.0	240-320	42	214-241	155-182	68	94	25	6.4

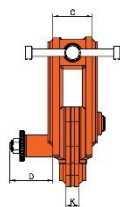
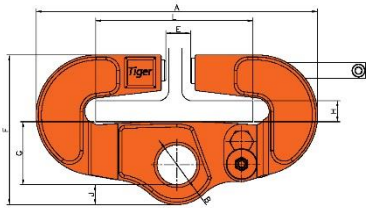
A=bulb flat width



BCU - Universal Beam Clamp



The Tiger Universal Beam Clamp Model No BCU has been designed not only for vertical use, but also for side load applications, where conventional clamps are not suitable. This clamp is highly flexible in application and can be used for lifting, pulling or as a semi-permanent anchor point. It can be loaded at any angle and eliminates the use of spreader beams in various lifting operations.



Product Code	Capacity (tonne)	Dimensions (mm)											Net Weight (kg)
		A	B	C	D	E	F	G	H	J	K	L	
BCU-0200	2.0	337	58	60	68	32	203	88.5	25.5	22.5	20	76-190	10.0
BCU-0300	3.0	387	60	70	63	32	235	100	25.5	28	20	125-204	15.5
BCU-0500	5.0	524	70	74	72	32	268	120	25.5	36	24	125-305	27.0
BCU-1000	10.0	524	70	75	82	32	278	120	25.5	38	25.5	125-305	31.0
BCU-100D	10.0	539	76	76	82	47	286	120	40	38	25.5	125-305	33.0

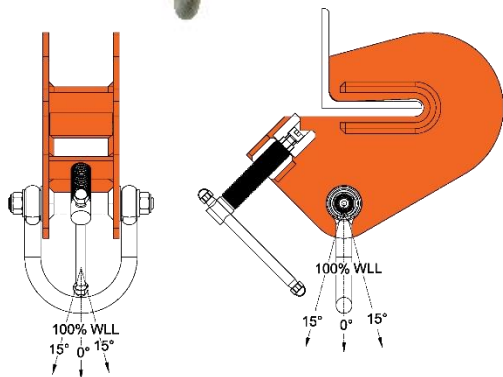
E=maximum beam web thickness
H=maximum beam flange thickness



BCA - Adjustable Angle Beam Clamp



This BCA clamp serves as an anchor or lifting point when attached to an overhead steel angle section approved for lifting applications. This clamp can be used up to a maximum of 15° from the vertical.



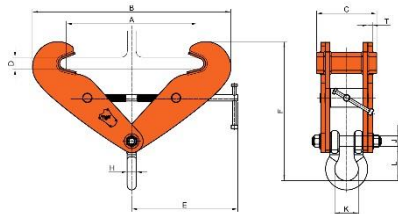
Product Code	Capacity (tonne)	Dimensions (mm)									Net Weight (kg)
		A	B	C	D	E	G	H	J	K	
BCA-0100	1.0	6	76	81	83	206	15	258	16	38-101	5.5
BCA-0300	3.0	10	106	112	104	343	25	490	22	101-203	23.5



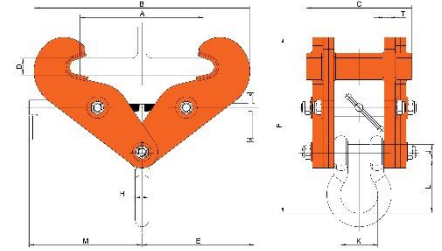
BCF - Fixed Jaw Heavy Duty Beam Clamp with Shackle



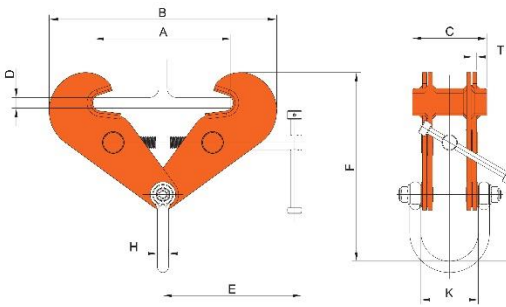
10t



10t



15/20/30t



1-6t

Product Code	Capacity (tonne)	Dimensions (mm)											Net Weight (kg)	
		A	B	C	D	E	F	H	J	K	L	M		T
BCF-0100	1.0	75-195	206-321	105	20	195	300-266	16	21	80	84	6	5.5	
BCF-0200	2.0	75-195	206-321	105	20	195	311-276	18	21	88	95	8	6.5	
BCF-0300	3.0	100-350	223-476	140	25	270	418-344	22	27	110	105	10	12.0	
BCF-030S	3.0	75-190	216-325	140	20	195	310-271	22	27	110	105	10	9.5	
BCF-0500	5.0	100-310	223-438	140	25	286	424-368	27	27	124	111	12	14.5	
BCF-050S	5.0	75-190	216-325	140	20	195	315-276	27	27	124	111	12	11.0	
BCF-0600	6.0	203-457	411-691	140	42	370	558-470	27	27	124	111	12	29.0	
BCF-1000	10.0	120-350	282-511	210	30	316	460-389	32	37	83	120	16	28.0	
BCF-100W	10.0	203-457	415-694	210	42	370	572-485	32	37	83	120	16	44.5	
BCF-1500	15.0	203-457	463-742	250	36	416	644-558	38	44	99	146	400	20	76.0
BCF-2000	20.0	203-457	471-766	300	50	416	697-609	45	49	126	179	410	25	100.0
BCF-3000	30.0	203-457	483-800	390	63	416	742-648	50	57	138	197	416	20	152.0

T=beam clamp side plate thickness
D=maximum beam flange thickness

All Tiger Clamps units meet the requirements within ASME B30.20, the Australian Standard AS 4991 and EN13155:2003+A1:2009. All items comply with the essential health and safety requirements of the Machinery Directive 2006/42/EC. Heavy duty markings show the relevant jaw widths, working load limits, serial numbers and year of manufacture.

Certification:

Each unit comes fully certified with a test certificate or an EC Declaration of Conformity stating compliance with the essential health and safety requirements of the Machinery Directive 2006/42/EC.

Due to our policy of continual product development, dimensions, weights and specifications may change without prior notice. Please check with your Tiger sales team when ordering.

Bespoke designs available on request – contact info@tigerlifting.com for more information.