

# R-254 & R-255

## Auxiliary Heaters

### RV • TRUCKS

Tried and true, our R-254 (single-fan) and R-255 (double-fan) auxiliary heaters are among the most versatile and maintenance-free heaters you'll find. Their round-tube-and-fin design lets you mount these heaters in any position using our multi-position leg brackets or flush-mount frame, and their compact size, simple plumbing, and high output make them ideal for any application.



R-254-4  
Configuration  
Shown with  
mounting legs, floor  
exit



R-254-0  
Shown with  
mounting legs,  
rear exit

### SPECIFICATIONS

	R-254	R-255
<b>BTUS</b>	16,000 BTU/Hr @ 150°F (4.69kw @ 65.6°C) air temp. rise	30,000 BTU/Hr @ 100°F (8.79kw @ 37.8°C) air temp. rise
<b>AIR FLOW</b>	150 CFM (255 m <sup>3</sup> /h)	280 CFM (476 m <sup>3</sup> /h)
<b>WEIGHT</b>	7 lbs. (3 kg)	12 lbs. (5.5 kg)
<b>CURRENT</b>	3.3 amps @ 13.6 VDC	6.6 amps @ 13.6 VDC
<b>Draw</b>	1.7 amps @ 27.2 VDC	3.3 amps @ 27.2 VDC
<b>MODELS</b>	Single Fan 5/8" fittings, rear exit: R-254-0P (12 VDC) R-254-0-24P (24 VDC) 3/4" fittings, rear exit: R-254-1P (12 VDC) FLOOR EXIT 5/8" fittings: R-254-4P (12 VDC)	Double Fan 5/8" fittings, rear exit: R-255-10P (12 VDC) R-255-10-24P (24 VDC)  FLOOR EXIT 5/8" fittings: R-255-12P (12 VDC)

### OPTIONS:

**Heater Hose**  
78R0100

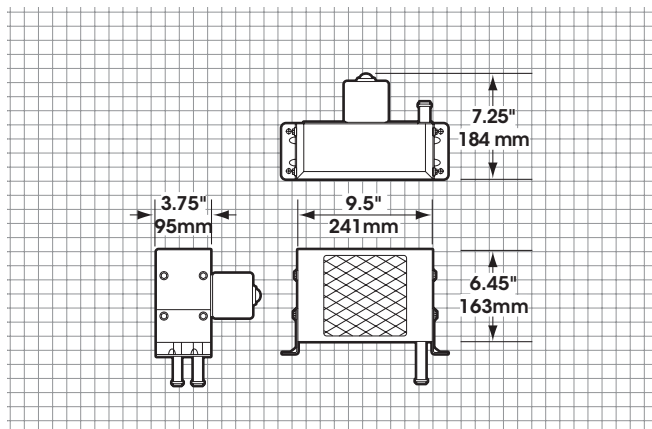
**Toggle Switch**  
71R0100

**Defrost Hose Outlet 3 1/2"**  
RD-1-0639-0P

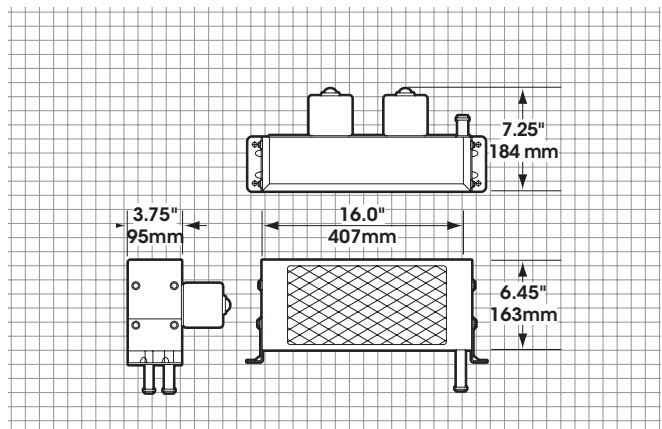
**5/8" to 3/4" Adapter**  
70R7110

**Control Panel**  
71R5819  
Heater control -  
Two-speed motor switch with manual water valve control

### Diagrams for R-254



### Diagrams for R-255



LS = Limited to stock on hand

HEATER ONLY