

OFF-ROAD

R-9727 Rooftop

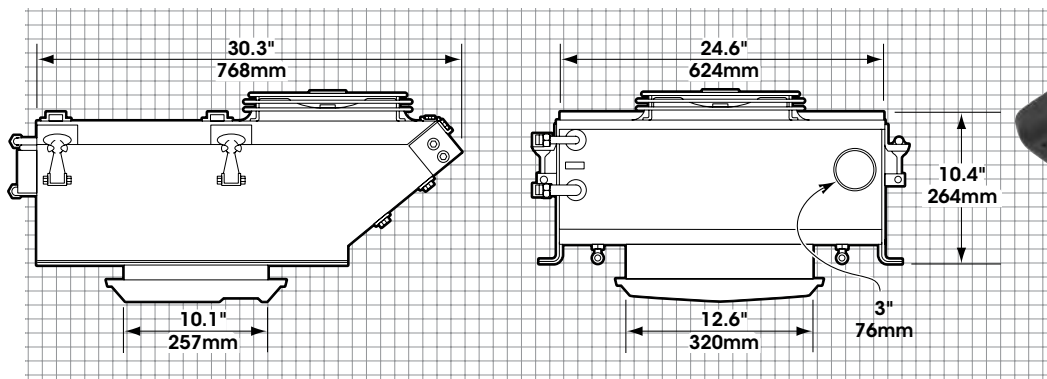
Air Conditioner

CONSTRUCTION • MINING • AGRICULTURE



Shown with optional hydraulic compressor kit.

The R-9727 sets the standard for rooftop air conditioners in tough work environments. Renowned for its build quality, reliability, and performance, the R-9727 uses a sealed, long-life evaporator and condenser motor with a slinger ring and hubcap for protection from weather and dust. The heavy-gauge steel casing is gusseted and reinforced for structural integrity. Rubber hood tie-downs unlatch to easily expose the components for service. Options include a hydraulic compressor kit, remote-mount filter, and in-line booster blower for a pressurized, dust-free cab.



Low profile ceiling plenum blends with any interior.

HEATER-A/C

R-9727 SPECIFICATIONS

BTUS Cooling – 22,000 BTU/Hr with 36°F (6.4 kw w/2.2°C) refrigerant temperature and 80°F (26.7°C) wet bulb entering air

AIR FLOW Evaporator – 320 CFM (544 m3/h)
Condenser – 850 CFM (1444 m3/h)

WEIGHT 104 Lbs (47 Kg)

MOTORS Evaporator – One 12 VDC, three-speed, 24 VDC available Condenser – One 12 VDC, single-speed, 24 VDC available

CURRENT 29 amps @ 13.6 VDC (includes 4 amps for A/C clutch)

DRAW 15 amps @ 27.2 VDC (includes 2 amps for A/C clutch)

CONTROLS Three speed blower and adjustable thermostat

R-9727 SYSTEM ORDERING GUIDE

| | R-134a | NOTES |
|-------------------------|--|---|
| UNITS | R-9727-2P R-9727-2-24P | 12 VDC 24 VDC |
| CONDENSER | Contained in R-9727 Unit | |
| INSTALLATION KIT | 78R1605 | Refrigerant hose and fittings |
| OPTIONS | Winter Cover Stiffener Brackets Remote Mount Filters ** Remote Mount Filters ** Replacement Filters Replacement Gasket Kit Replacement Recirc. Filter Pressurizer Inlet Cap In-Line Booster Pressurizers * Replacement Receiver Drier Replacement Plenum Hydraulic Compressor Kit | RD-5-4031-0P RD-3-5790-0P 78R5100 (Horizontal) 78R5110 (Vertical) 78R5210 (Remote Mount) RD-2-0961-0P 78R5300 RD-5-6423-0P 73R9202 (12 VDC) For use with Remote Mount Filters 73R9204 (24 VDC) 74R2536 RD-2-5974-0P RD-5-13484-0P |
| COMPRESSOR | Requires compressor and mounting kit | See 75 Series Compressor section |

* Booster Pressurizer Can Only Be Used With Remote Mount Filters

** Must be used with In-line Booster Pressurizer