

**the klick**  
Sukkah  
**Deluxe**

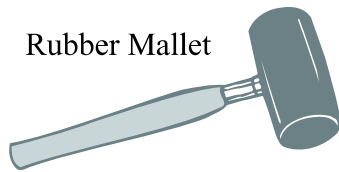
**DESIGN & MANUAL**

Dear valued customer:

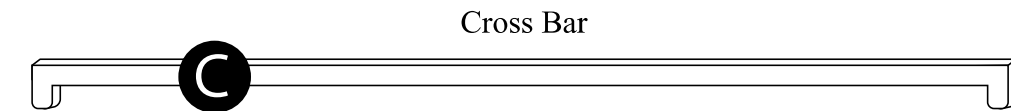
Thank you for choosing our quality Sukkah product! We're sure you'll be satisfied. Just follow the simple instructions for easy assembly, and your brand-new Klick Sukkah will be up and standing in no time. Best of all, your Klick Sukkah is made of the toughest, longest-lasting materials. It's made to last.

Have a happy Sukkot and a wonderful holiday with your family and friends!

Your friends at the Sukkah Headquarters



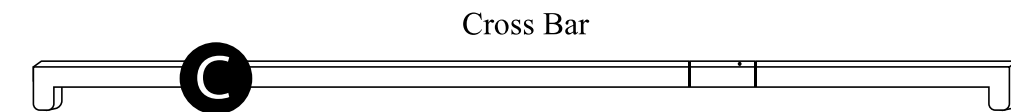
Rubber Mallet



Cross Bar

Prong

SIZES: 4' - 6'

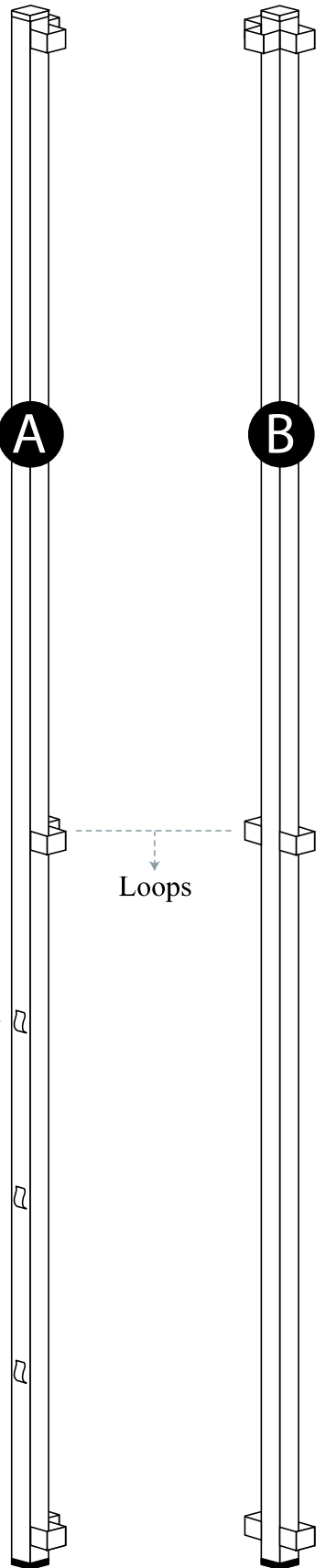


Cross Bar

Prong

SIZES: 8' (foldable) - 10' (foldable) - 12' (foldable)

Hook



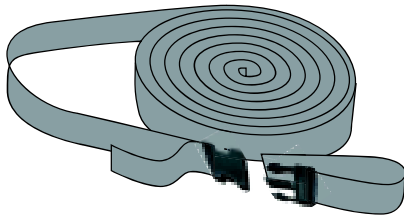
Corner Bar

Connecting Bar

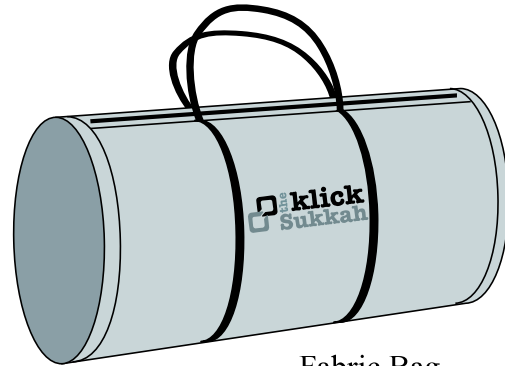
# OF PARTS

## LIST OF CONTENTS

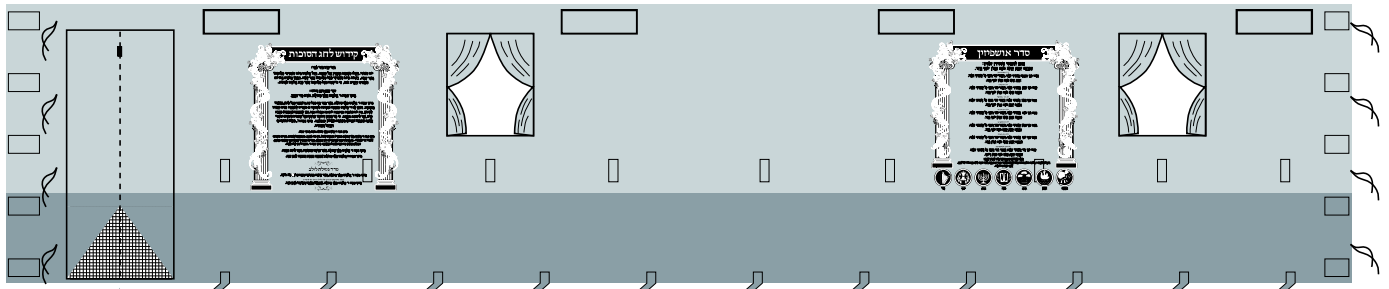
Size	
4' x 6'	4-A + 6-C4' + 5-C6'
6' x 8'	4-A + 6-C6' + 5-C8' (foldable)
8' x 10'	4-A + 6-C8' (foldable) + 5-C10 (foldable)
8' x 12'	4-A + 2-B + 11-C6' + 7-C8' (foldable)
10' x 12'	4-A + 2-B + 11-C6' + 7-C10' (foldable)
10' x 16'	4-A + 2-B + 11-C8' + 7-C10' (foldable)
12' x 20'	4-A + 4-B + 12-C6' + 11-C10' (foldable) + 1-C12 (foldable)
12' x 32'	4-A + 8-B + 12-C6' + 22-C8 (foldable) + 3-C12 (foldable)



Mehadrin Belt



Fabric Bag



Screen Door

Inside View of Fabric

# ASSEMBLY INSTRUCTIONS

## FRAME ASSEMBLY:

**For sizes 4' x 6', 6' x 8' and 8' x 10'**

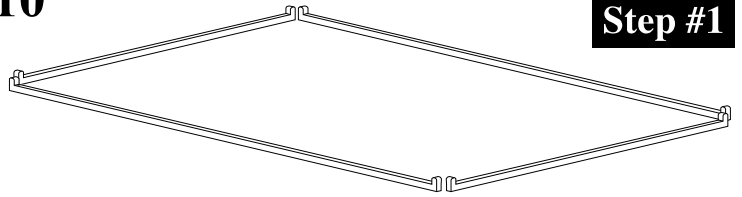
For additional diagrams refer to pages 8-10

To prevent possible **DAMAGE** to your new **KLICK SUKKAH DELUXE**, we highly recommend:

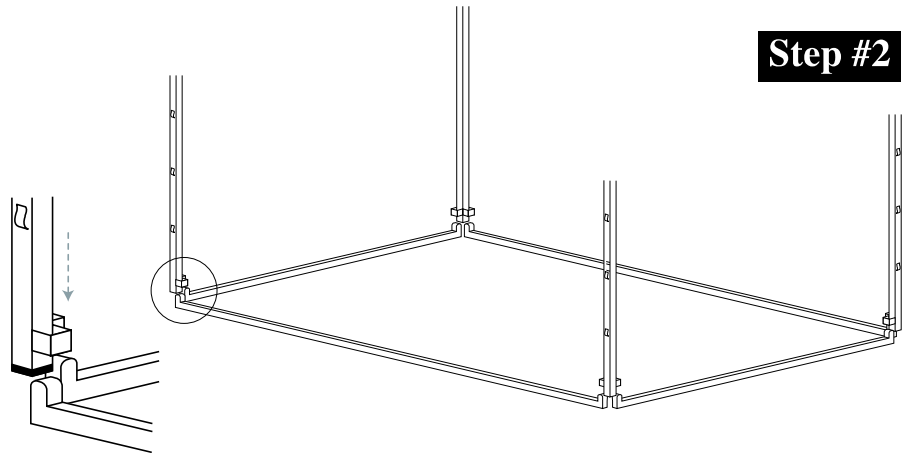
1. Ensuring that the prongs on the ends of the bars are fully inserted into their sockets
2. Doing steps 1 through 4 – in other words, building the entire frame – all at once, not leaving the frame standing incomplete.

1. Place the width & length crossbars on the ground-prongs facing upwards to create the base for the Sukkah. For a 4', 6', 8' OR 10' wall use 1 crossbar of that size length for each wall base as shown in Step #1.
2. Push bottom sockets of corner bars (A) over prongs of floor base crossbars to connect crossbars all together sturdily. Be sure to push sockets down fully. Make sure the arrow is facing up.
3. Push prongs of ceiling crossbars down into top sockets of corner bars (A), as shown in Step #3. Be sure to push prongs down fully.
4. Push prongs of center crossbars down into center sockets of corner bars (A), as shown in Step #4. Be sure to push prongs down fully. *Note: the wall containing the door does NOT get center crossbar.*
5. With the frame now fully assembled, the Mehadrin belts (see page 6) may now be installed.

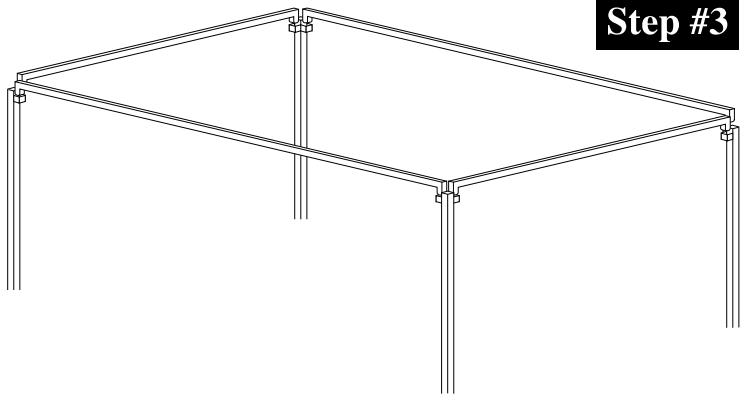
**Step #1**



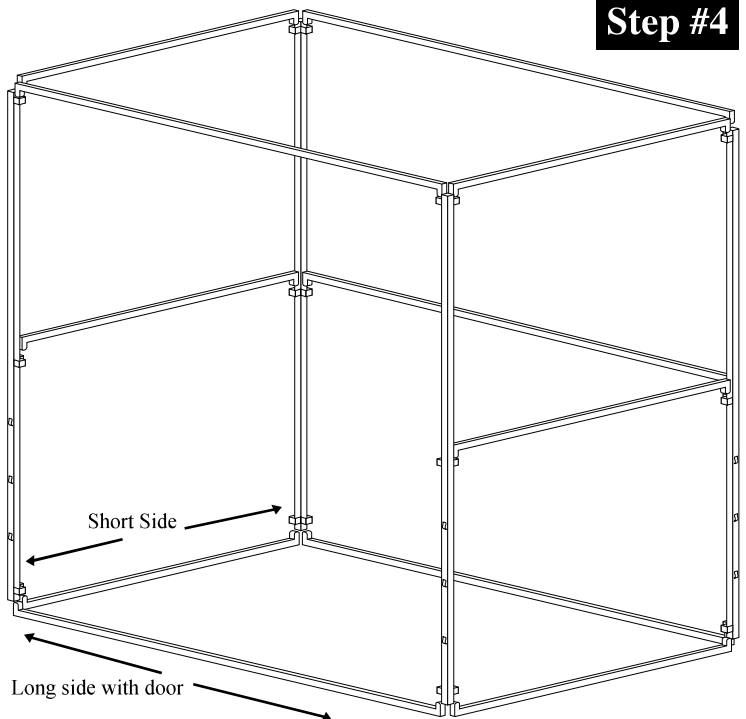
**Step #2**



**Step #3**



**Step #4**





## ASSEMBLY INSTRUCTIONS

For sizes 8' x 12' through 12' x 32'

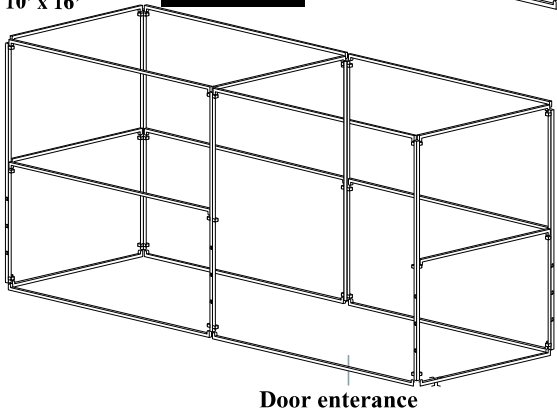
For additional diagrams refer to pages 10-15

**Step 1:** Lay out the base of your sukkah using the crossbars. (See wall chart for bar sizes needed.) **Step 2:** Attach corner bars (see Step 2 on page 4), then attach vertical bar (B) – make sure third socket on top faces inside the sukkah. **Step 3:** Insert the cross Bar on top of the Sukkah to connect the two “B” Bar. (See Step #3). **Step 4:** Complete assembly by following steps 3-5 on page 4.

### Step #1

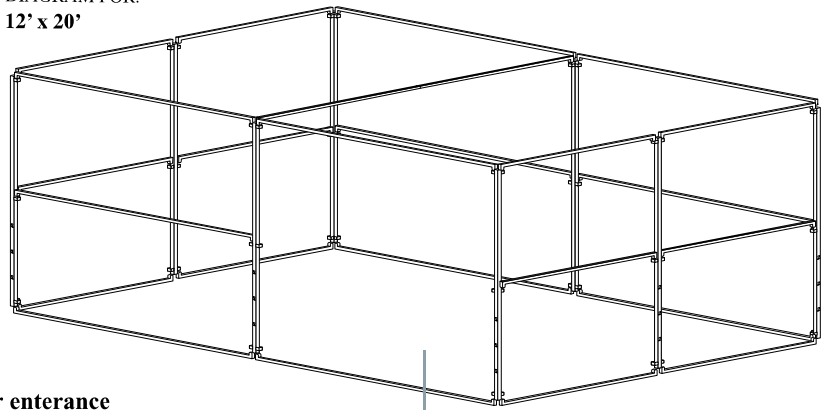
Wall Size	Bar Size	Bars Needed
8'	8' (foldable)	1
10'	10' (foldable)	1
12'	6'	2
16'	8' (foldable)	2
20'	10' (foldable)	2
32'	8' (foldable)	4

DIAGRAM FOR:  
8' x 12'  
10' x 12'  
10' x 16'



### Step #3

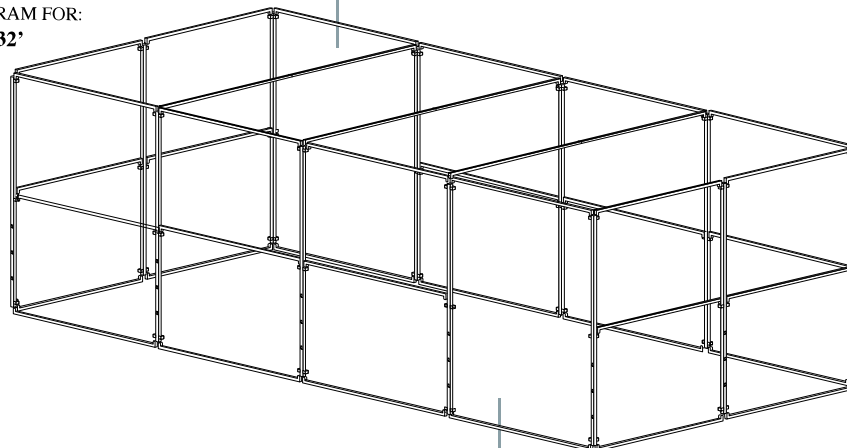
DIAGRAM FOR:  
12' x 20'



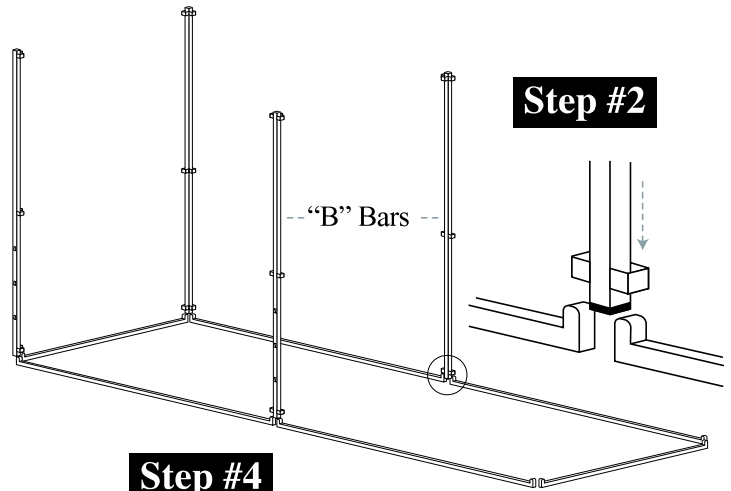
Door entrance

Door entrance

DIAGRAM FOR:  
12' x 32'



Door entrance



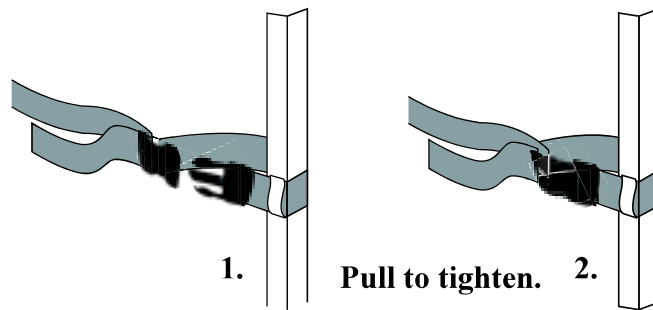
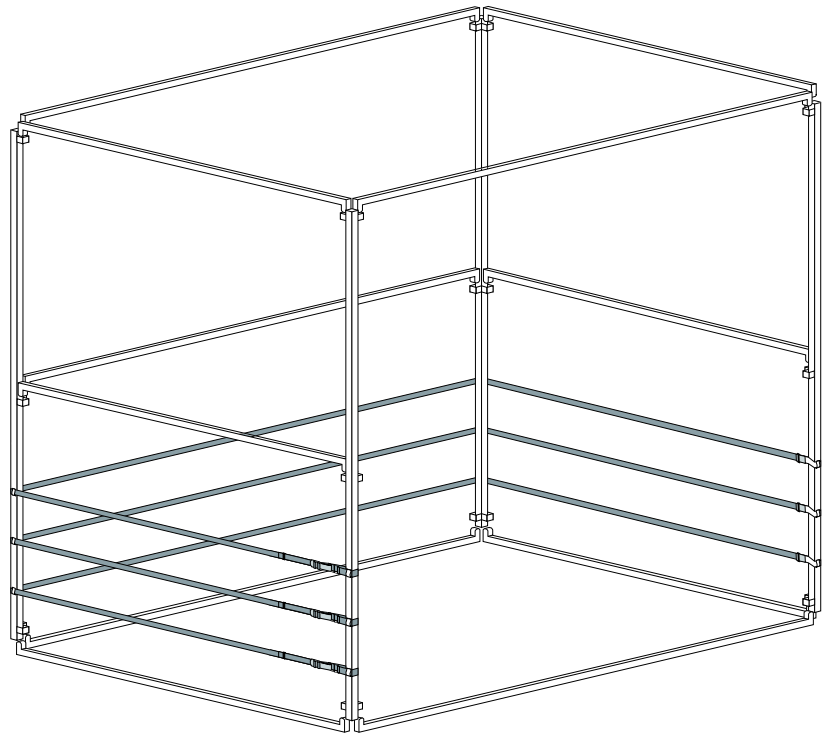
### Step #2

--“B” Bars--

# ASSEMBLY INSTRUCTIONS

## ATTACHING THE MEHADRIN BELTS:

1. Insert straps into hooks on corner bars (A), starting with door-side corner bar.
2. Stretch straps around the sukkah's three walls. (Door wall remains clear.)
3. Tighten straps securely (for halachic standards).



## FABRIC ATTACHMENT ASSEMBLY

### IMPORTANT NOTE!

#### How to detach and store your fabric walls safely and securely:

When removing your canvas walls from your sukkah frame, do NOT pull on the canvas to detach the Velcro! This will cause the canvas to rip. Instead, detach the Velcro directly with both hands

When storing your canvas walls, be sure all window and door zippers are zipped CLOSED and that the Velcro straps are in the closed position. Leaving zippers unzipped or Velcro straps opened will damage your window and door screens upon folding it.

## FABRIC ATTACHMENT:

Sizes 4' x 6' through 12' x 20' consists of one canvas. The 12' x 32' consists of two canvases. For the 4' x 6' through 12' x 20' start by installing the canvas at the corner that will be adjacent to door. The canvas for the 12' x 32' consists of two canvases. Start with canvas #1 and then continue to canvas #2. Start by installing the canvas at the corner that will be adjacent to door.

1. Stand inside sukkah.
2. Hold up cloth, making sure darker part is on bottom.
3. Make sure cloth door is in position next to door area of sukkah frame.
4. Tie the strings which are closest to the cloth door to the nearest corner bar.
5. Use the Velcro fasteners to connect cloth to sukkah along upper crossbars
6. Stretch cloth to allow ties to be tied to corner bars
7. Fasten the lower and center Velcro fasteners

## ADDING YOUR OWN WOODEN ROOF BEAMS

### NOT INCLUDED

Place the wooden supports into the brass clips, over the top bars.

Place the roof beams parallel to your sukkah's *long* walls if your sukkah is: 4' x 6', 6' x 8', 8' x 10', 8' x 12', 12' x 20'

Place the roof beams parallel to your sukkah's *short* walls if your sukkah is: 10' x 12', 10' x 16', 12' x 32'

**The roof beams should be distributed evenly.**

## INFORMATION REGARDING BAMBOO MATS AND SCHACH

1. If you are using a schach mat, place it perpendicular to your roof beams and unroll it on the beams. We strongly recommend putting additional pieces of wood on top of your mat to keep it down in the wind. Wood is not included in your Klick Sukkah kit.
2. If you are using bamboo-type schach, place it perpendicular to your roof beams.
3. Schach mats are not designed to hold weight—so don't hang decorations from them! Hang your decorations from your roof beams or bamboo rod-type schach.

Diagram for fabric attachment for sizes 4' x 6' through 12' x 20'

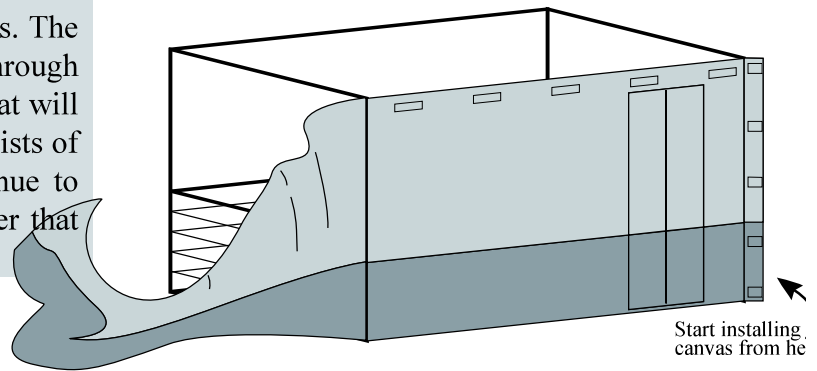
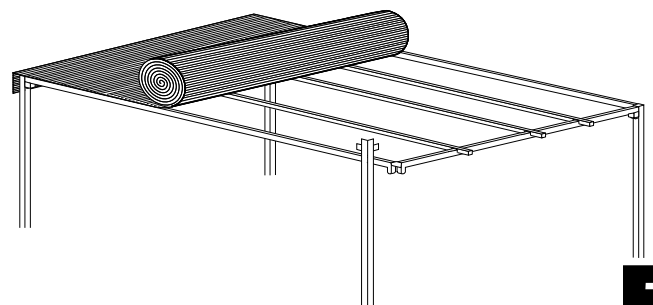
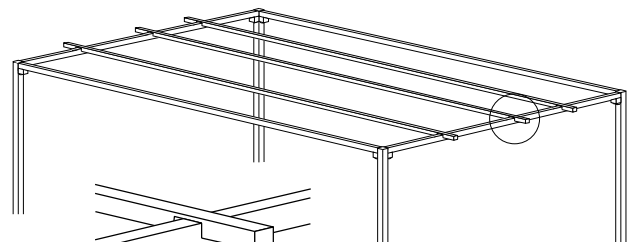
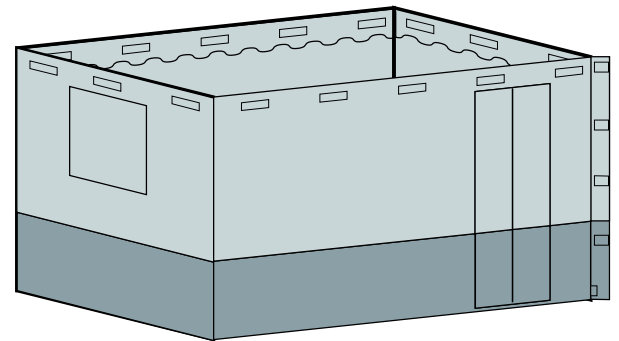
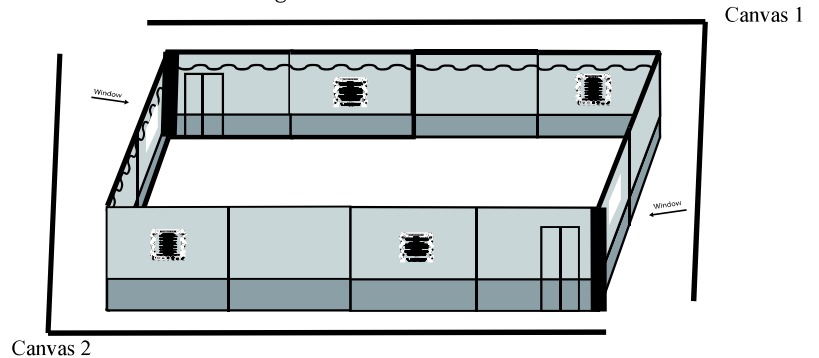


Diagram for fabric attachment for size 12' x 32'



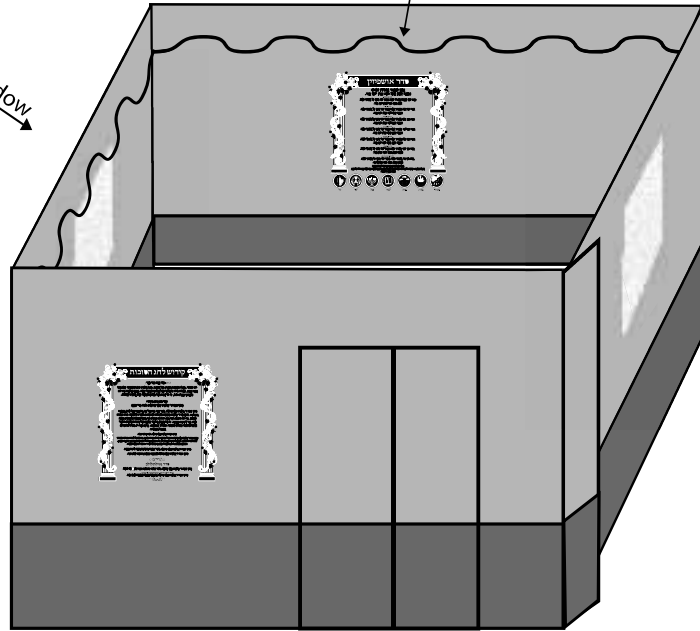
# Diagram for 4' x 6'



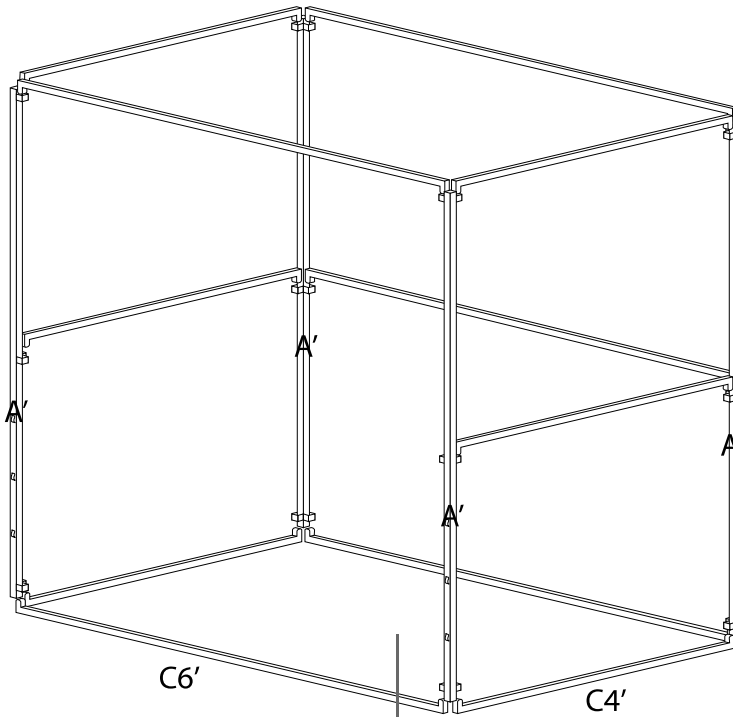
Ushpizun

Window

Window

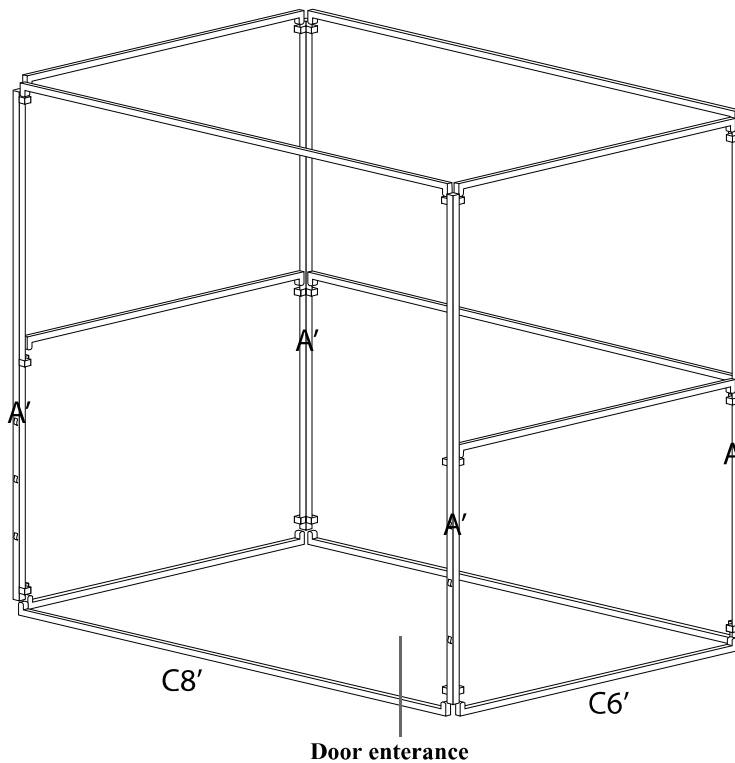
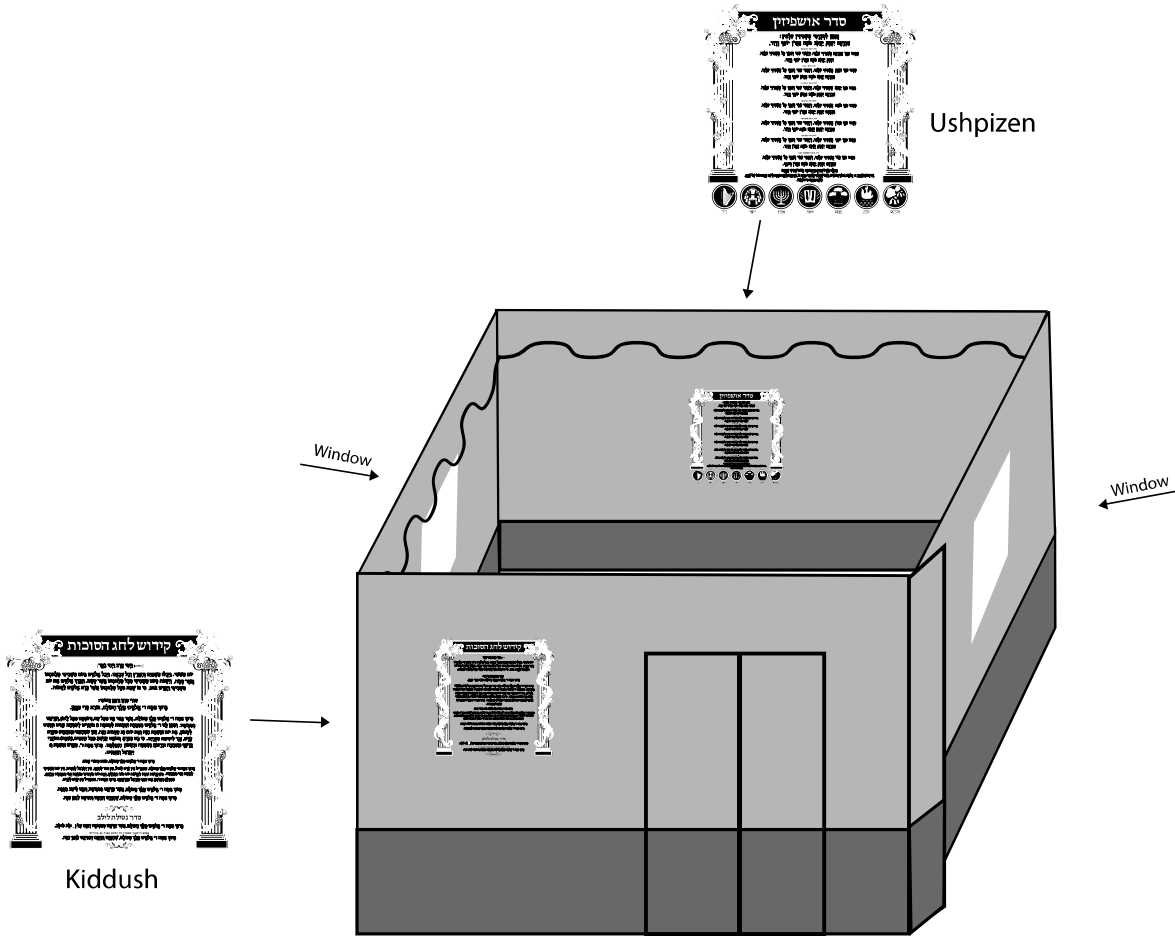


Kiddush

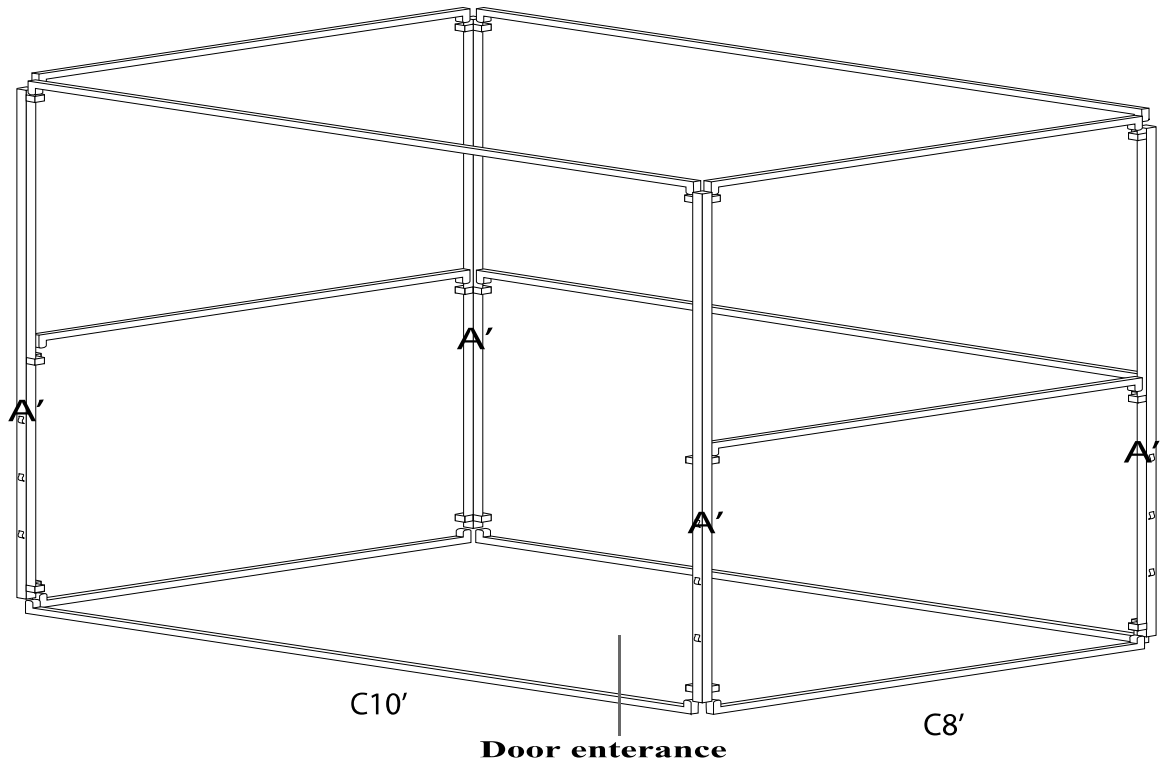
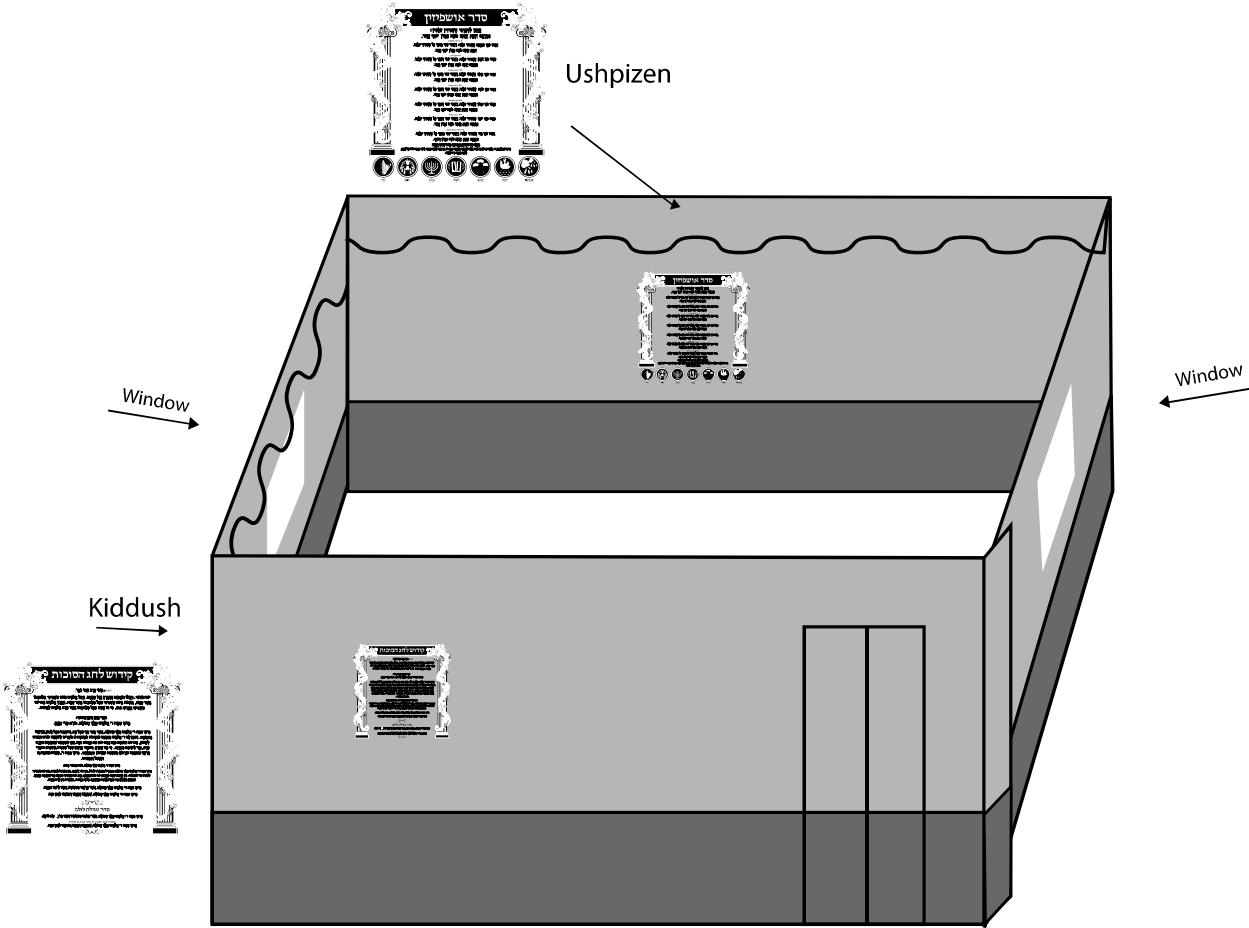


Door entrance

# Diagram for 6' x 8'



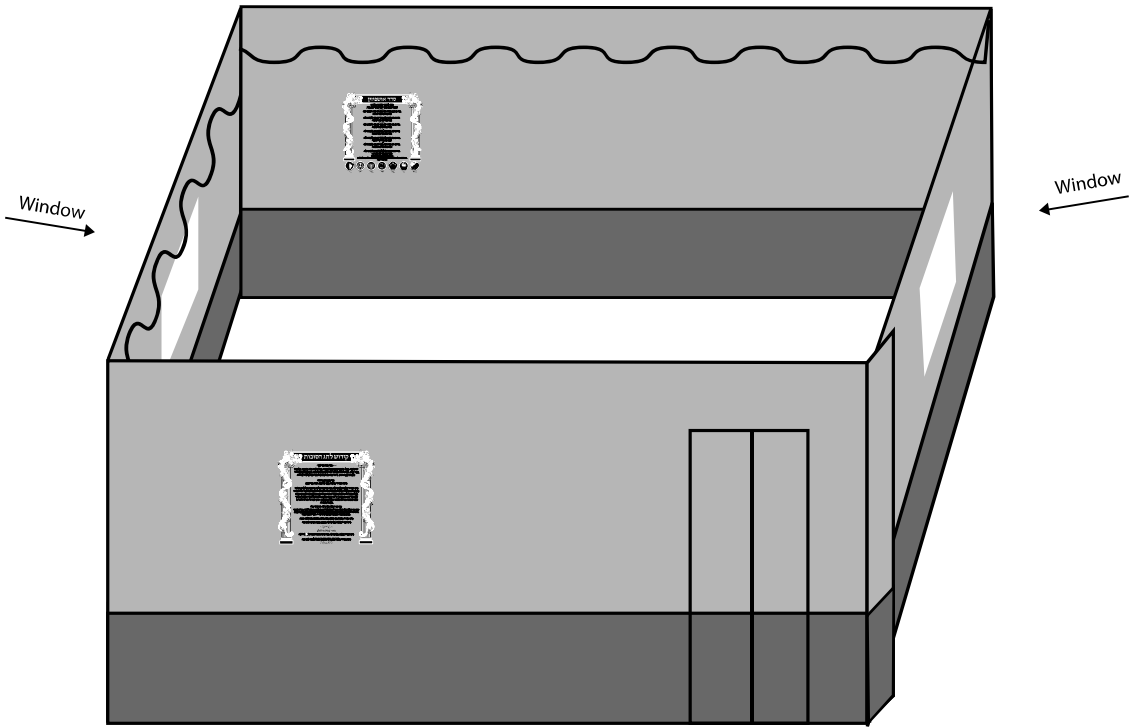
# Diagram for 8' x 10'



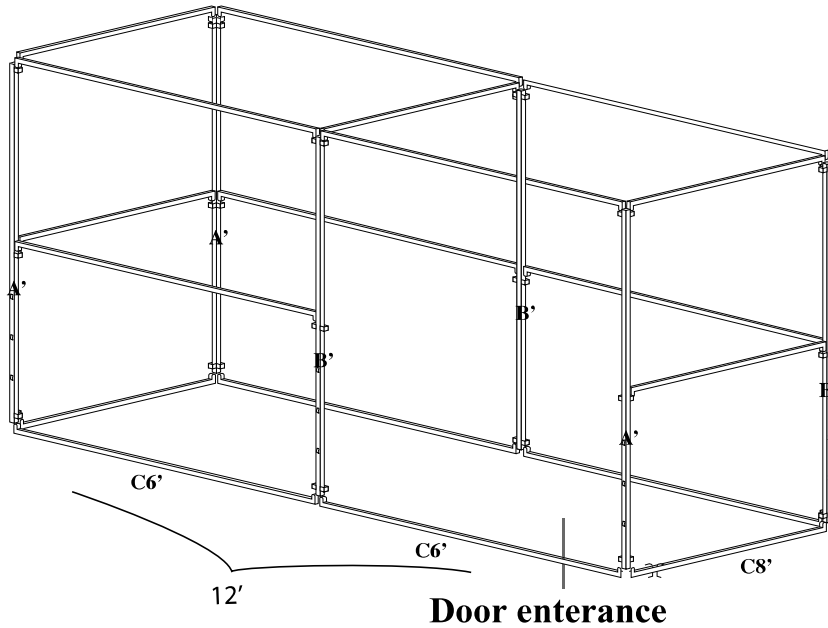
# Diagram for 8' x 12'



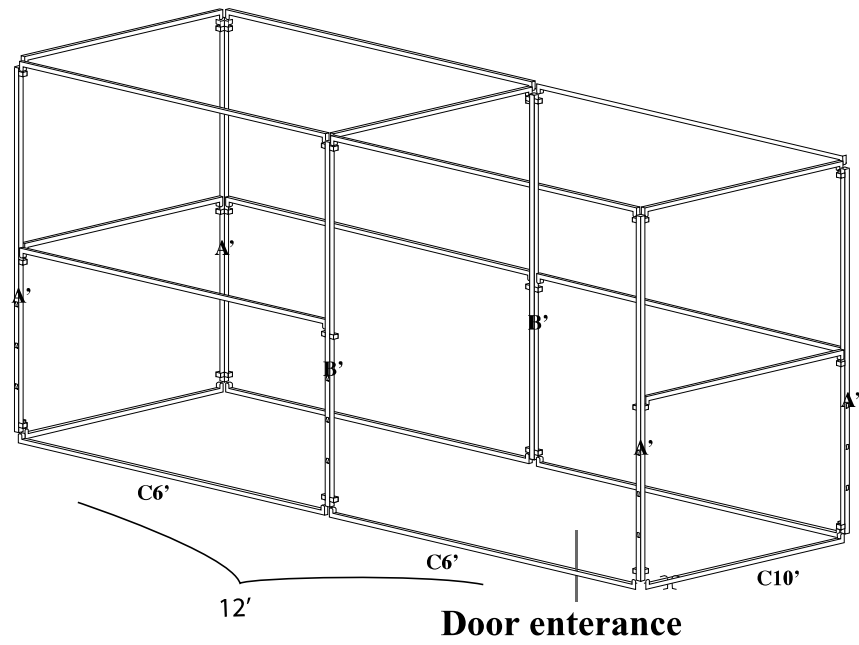
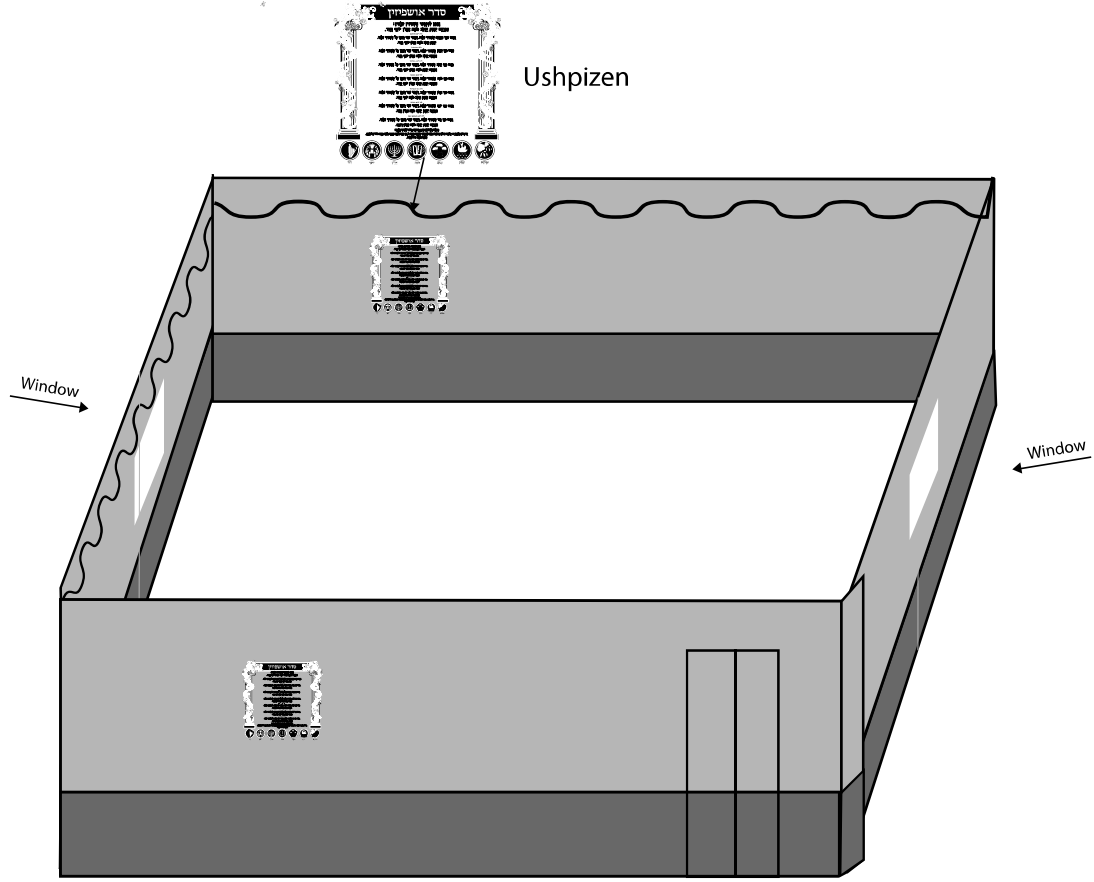
Ushpizen



Kiddush

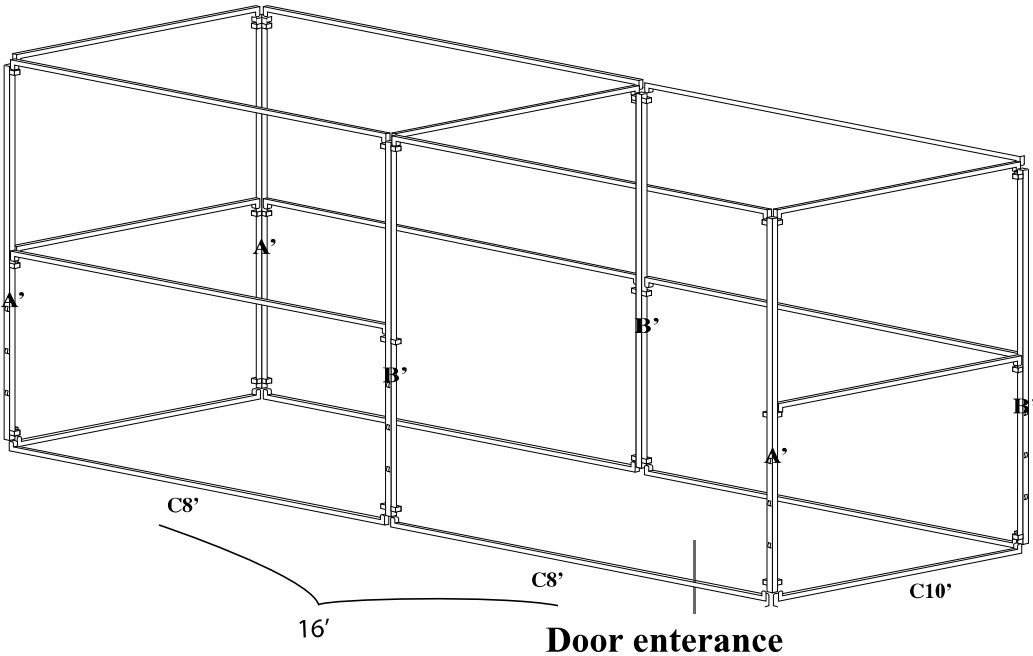
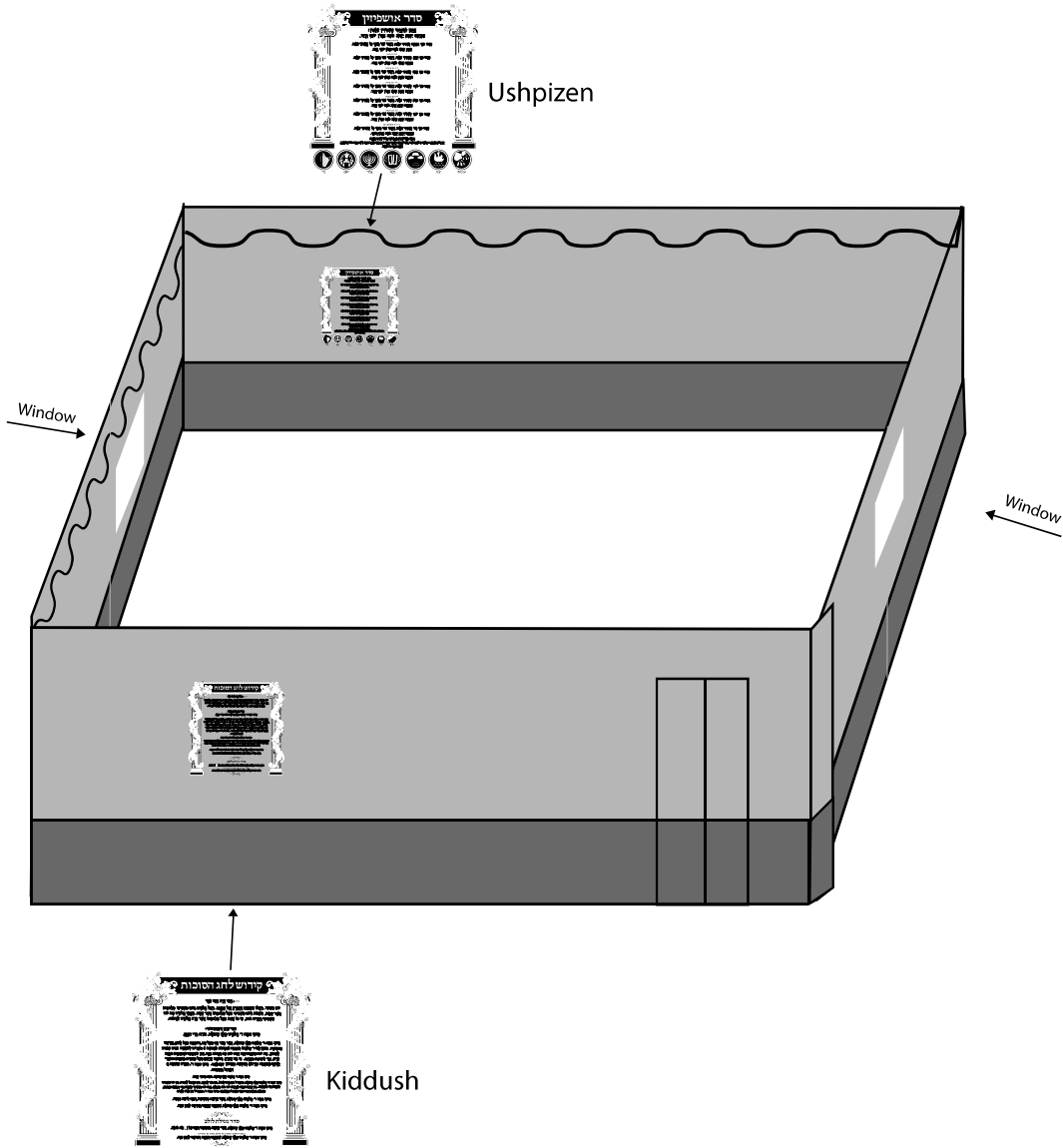


# Diagram for 10' x 12'

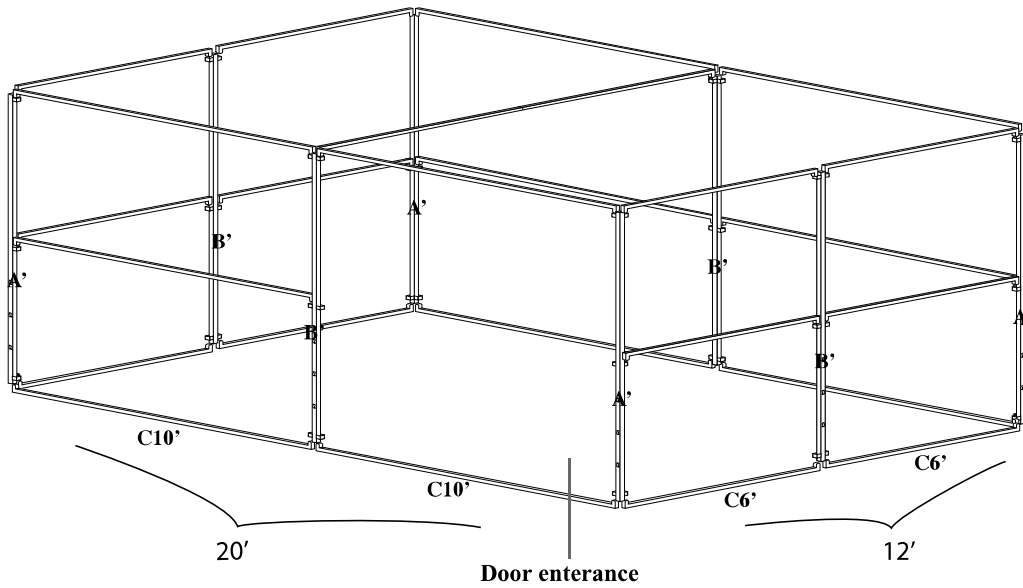
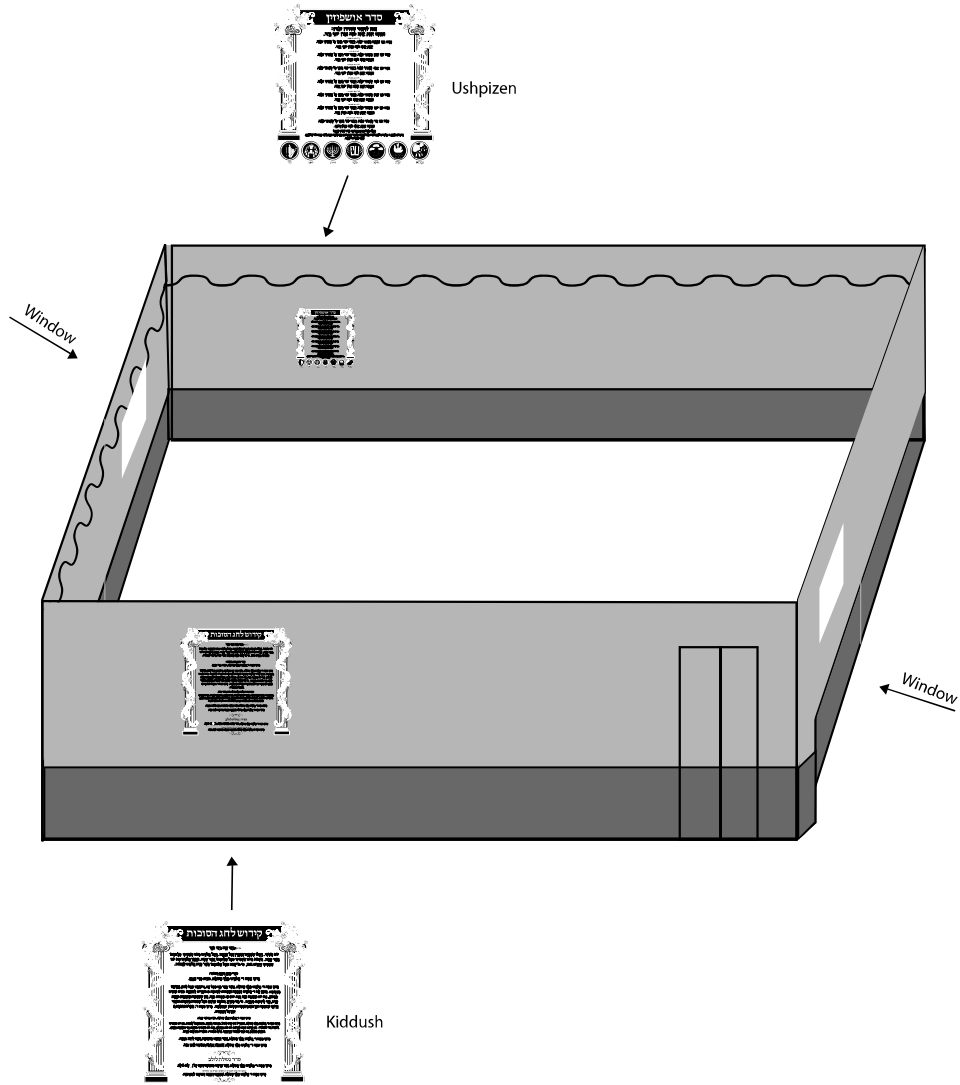




# Diagram for 10' x 16'



# Diagram for 12' x 20'



# Diagram for 12' x 32'

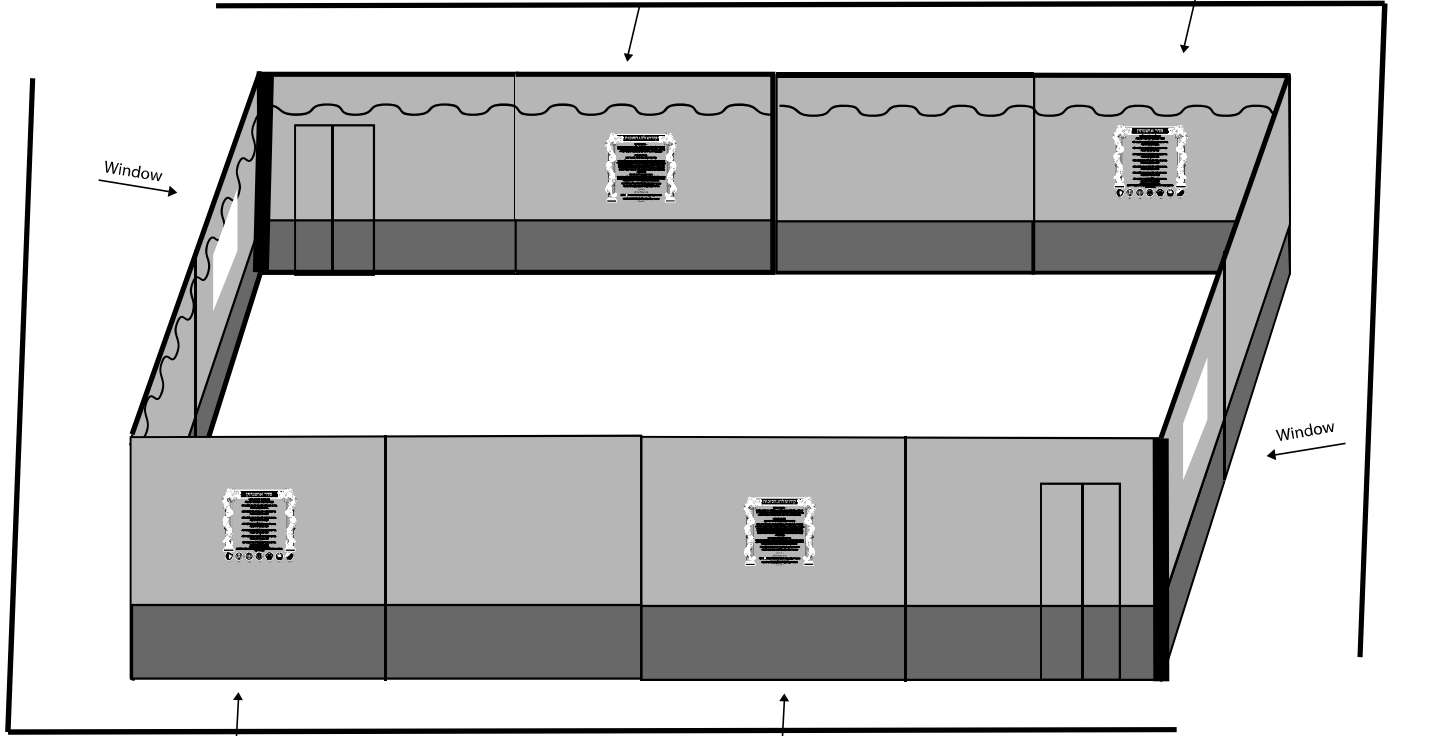
Note: e 12' x 32' consists of two canvases.



kiddush



Ushpizen Canvas



Canvas 2

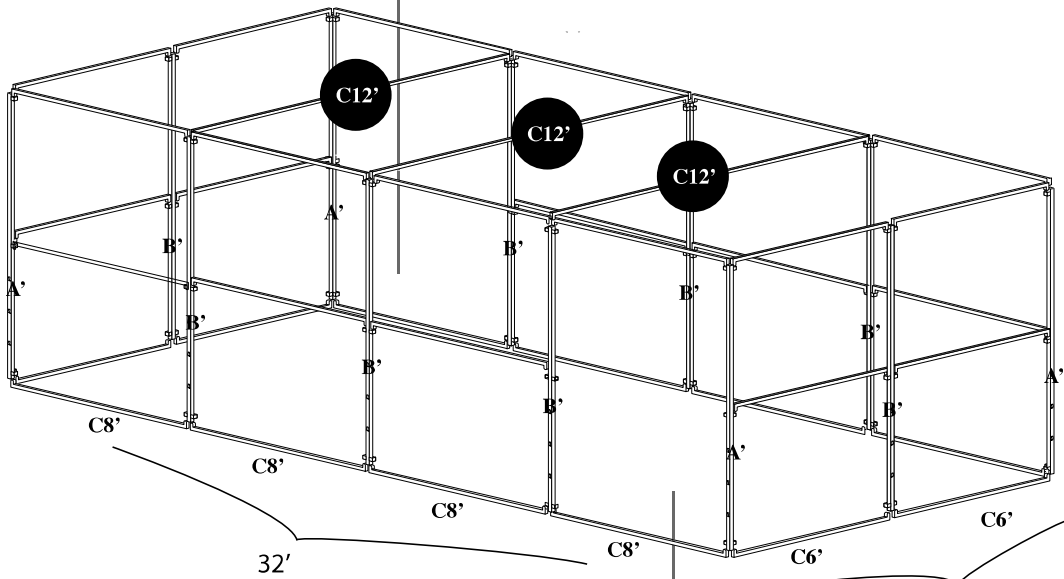


Ushpizen

Door entrance



kiddush



Door entrance

## CERTIFICATE OF WARRANTY

The Sukkah Headquarters hereby guarantees the durability and functionality of all joints, beams, walls, connectors and all other parts, components and accessories of its Klick Sukkah products for the period of two (2) years from the purchaser's date of purchase.

To turn in any defective Klick Sukkah product for repair or replacement service under said warranty, original receipt of purchase dating back to date of original product purchase must be produced.

Neglect, abuse, misuse, or improper maintenance or storage of the Klick Sukkah by the customer which results in damage to its bars and/or coatings, examples of which include customer deliberately bending bars, or leaving sukkah outside for extended period and incurring damage from falling tree branches or the elements, or placing unbearable weight upon the roof, shall render this warranty invalid.

THE SUKKAH HEADQUARTERS



The logo for 'the klick Sukkah Deluxe'. It features a stylized 'K' icon on the left, composed of two overlapping squares. To the right of the icon, the word 'the' is in a small, light blue font. 'klick' is in a large, bold, black font. 'Sukkah' is in a large, bold, light blue font. 'Deluxe' is in a large, bold, black font.

888-SUKKAH-9

888-785-5249

[www.klicksukkah.com](http://www.klicksukkah.com)