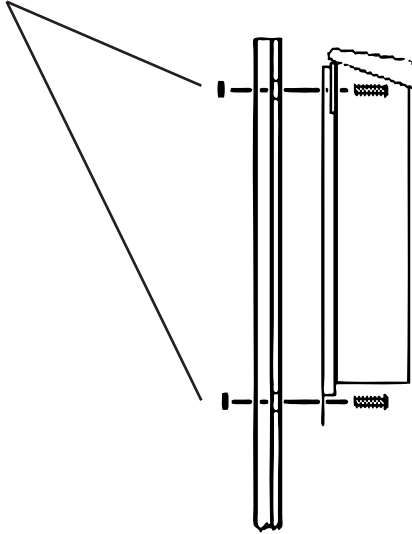


Mount To Stake

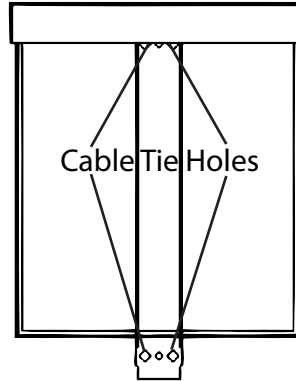
2 - #8 x 3/4" Screws & Nuts



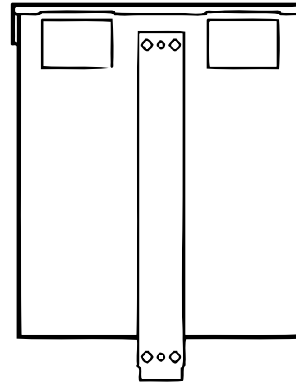
SRE-912 HD Model

Front View

2 - 17" Cable ties



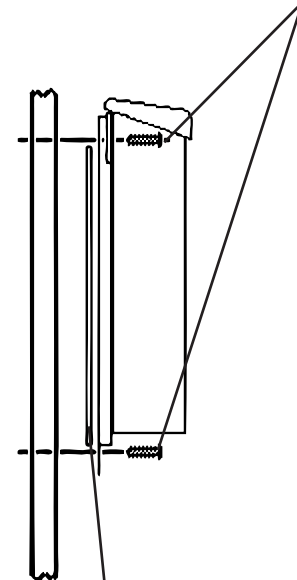
Cable Tie Holes



Back View

Mount To Surface

2 - #8 x 1 1/2" Wood Screws



Includes Optional 1 1/2" x 8" Heavy Duty Double Back Tape For E-Z Mounting