

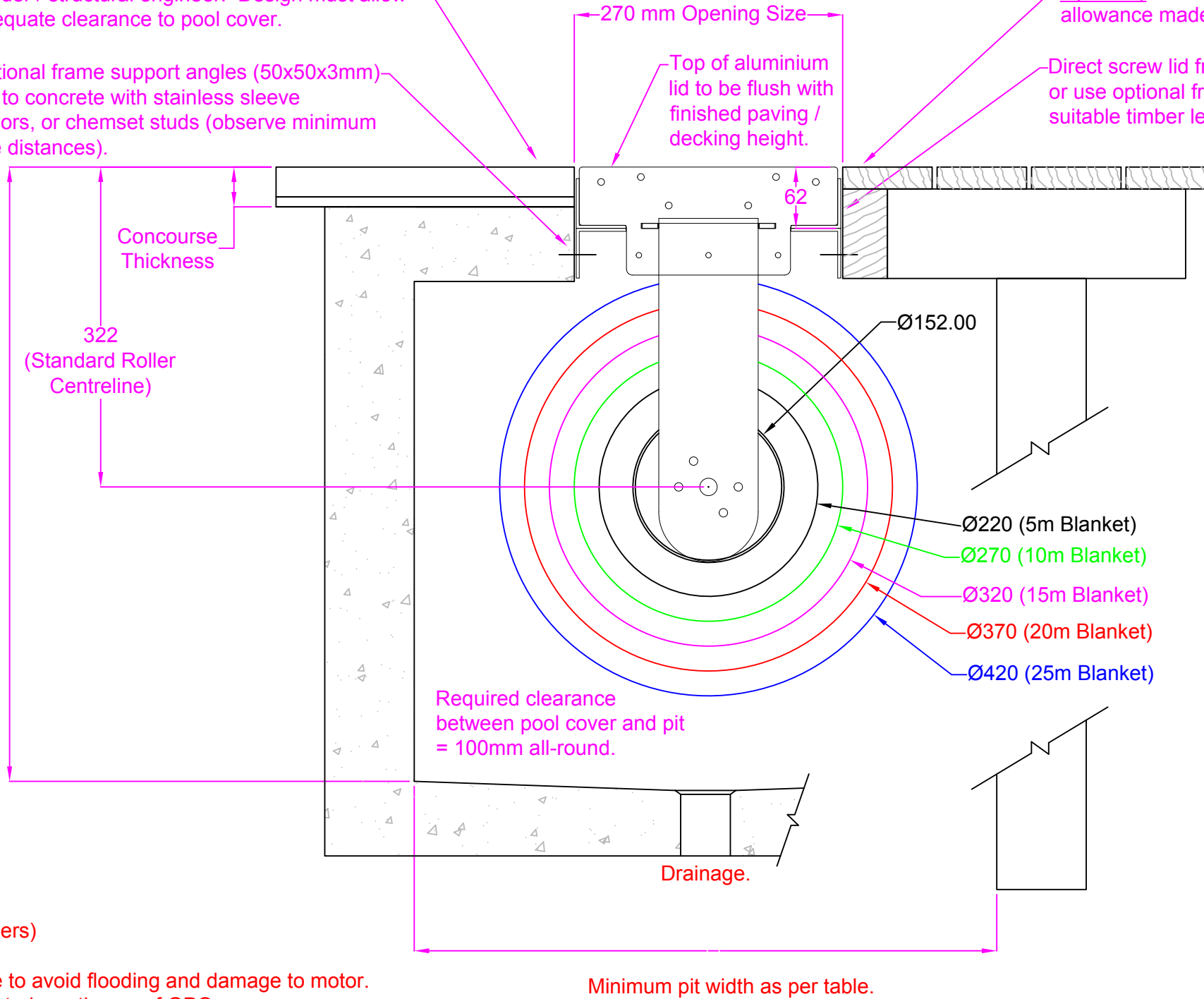
**Cover Pit Side View**

Option 1) - Concrete Pit and overhang by pool builder / structural engineer. Design must allow adequate clearance to pool cover.

- Optional frame support angles (50x50x3mm)
- Fix to concrete with stainless sleeve anchors, or chemset studs (observe minimum edge distances).

Option 2) - Timber Decking with allowance made for pool cover system.

Direct screw lid frame to timber structure or use optional frame support angles or suitable timber ledger if required.



Pit Depth = Roller centreline + blanket radius + 100mm clearance beneath blanket.

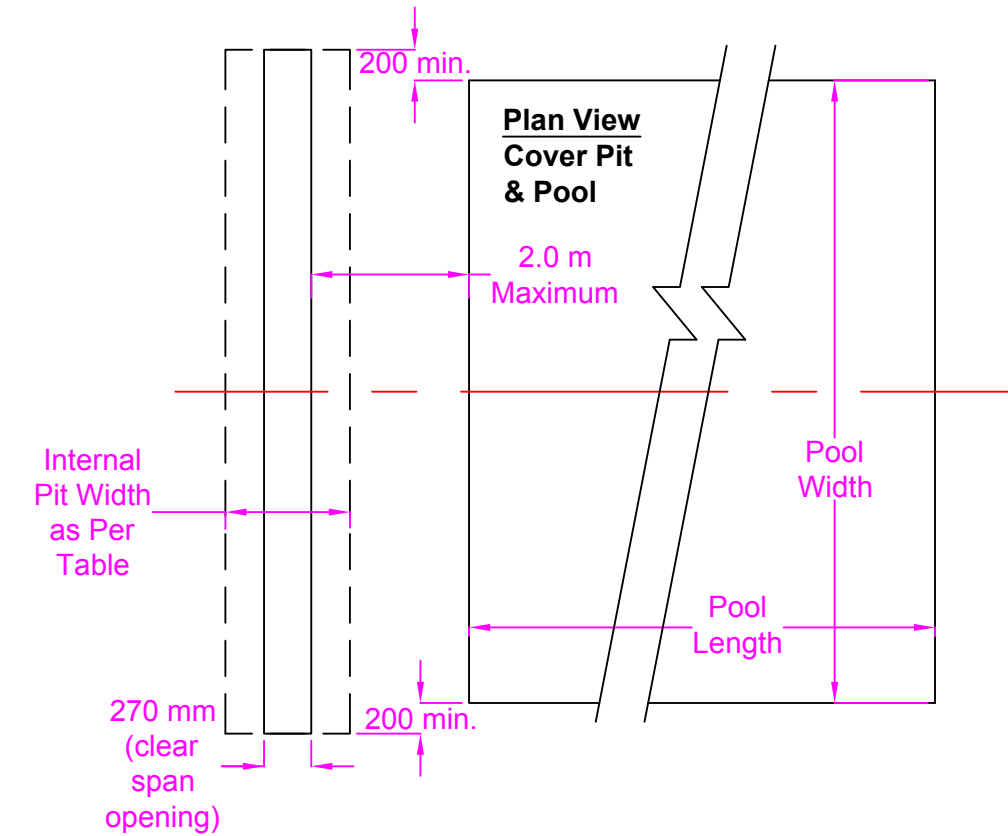
**Required (By Others)**

- Pit construction.
  - Proper drainage to avoid flooding and damage to motor.
  - 10A RCD protected weatherproof GPO.
  - Pit to GPO conduit.
  - Equipotential Bonding of lid.
- (all to AS/NZS3000 requirements)

Note: Motor comes as standard with 3m plug lead attached. Optional 5m and 10m plug leads are available on request.

Pool Length	Maximum Allowable Pool Width	Minimum Pit Width
5 m	5.6 m	420 mm
10 m	5.6 m	470 mm
15 m	5.4 m	520 mm
20 m	5.0 m	570 mm
25 m	4.6 m	620 mm

Minimum pit length = pool width plus 200mm extra at each end. (i.e. 3800mm + 200mm + 200mm = 4200mm). Roller is centralised to pool.



**NOTE:**  
UNLESS BUILT TO EXACT SPECIFICATION, POOL DESIGN MUST BE REVIEWED WITH SUNBATHER PRIOR TO CONSTRUCTION AND JOB ACCEPTANCE



Project Title: **Downunder In-Pit (AR150 Motorised)**

Drawing Title: **Standard Pit & Roller Specifications**

Drawing No.	Date: 07DEC2015	Drawn: CMR	Checked: VC	Approved: TB	All dimension in mm unless otherwise stated. DO NOT SCALE.
-------------	-----------------	------------	-------------	--------------	--