

951PB 1.4" exit HF driver



SPECIFICATIONS

Nominal exit diameter	1.4"/35.6 mm
Rated impedance	8/16 Ω
Power handling ¹	125 W
Continuous program power ²	250 W
Sensitivity ³	111.5 dB
Rated frequency range ⁴	500 Hz –20 kHz
Recommended min. XO frequency ⁴	600 Hz
Re	5.4/9.2 Ω
Minimum impedance	7.0/ 10.9 Ω
Diaphragm material	structural aluminum alloy
Voice coil diameter	101.6 mm (4")
Voice coil winding	edge-wound ribbon
Voice coil wire	copper-clad aluminum
Voice coil former	high temperature polyimide
Magnet	Neodymium ring

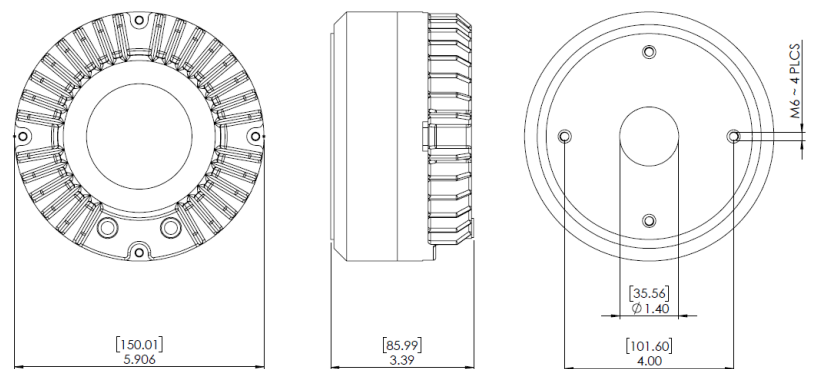
Mounting and mechanical parameters

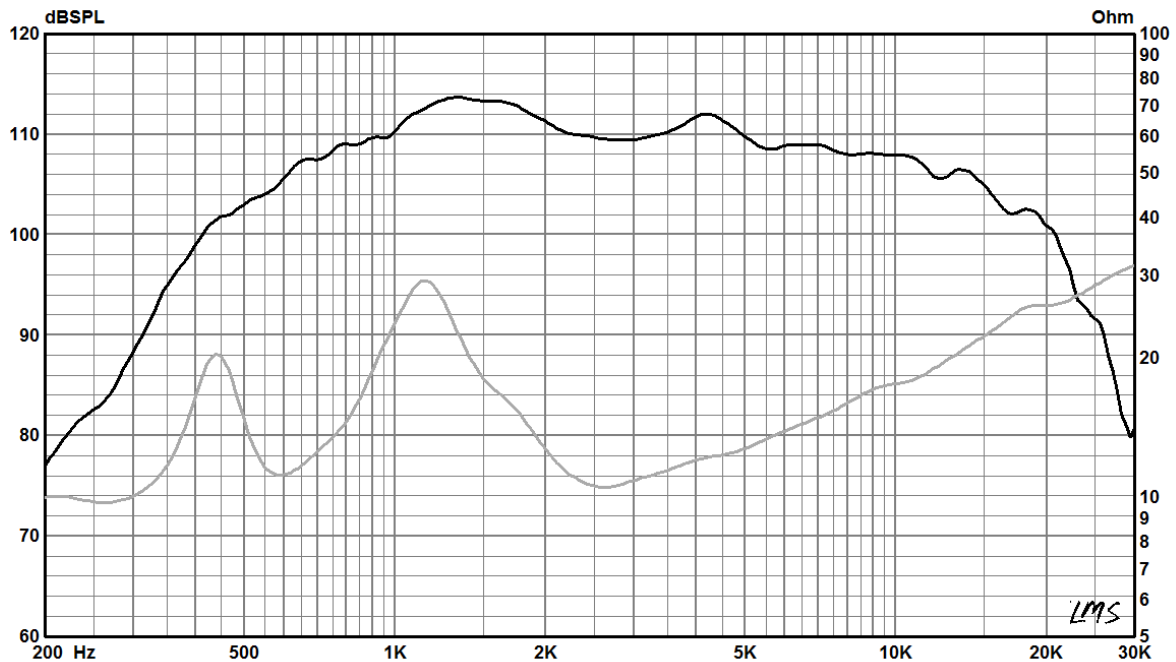
Mounting	4 x M6 on \varnothing 101.6mm (4")
Overall diameter	118.6 mm (4.67 in)
Overall depth	55 mm (2.17 in)
Net weight	4.73 kg (10.4 lbs.)
Shipping weight	5.45 kg (12.0 lbs.)

Optional accessories

Replacement diaphragm assembly	1245-8/16
--------------------------------	-----------

- Delivers extremely high SPL output in very wide range with very smooth, extended HF
- low compression ratio phase plug with rapidly expanding slots optimized for minimal distortion and response linearity
- compact design, ideal for touring line arrays and top tier sound systems where light weight and very high SPL is required
- proprietary aerospace grade aluminum alloy diaphragm with highest tensile strength to weight ratio guarantees stress and fatigue resistance, extended HF and accurate signal peak reproduction
- diaphragm assembly construction with optimized damping eliminates ringing typical for other metal domes
- heat stabilized polymer surround ensures low distortion at high SPL and long term performance stability
- high performance 101.6 mm (4") edge-wound, copper clad aluminum wire VC
- 250 W continuous program power
- self-aligning diaphragm assembly facilitates service in the field





Frequency response and impedance of 951PB-16 on specified horn, free field ³.

Specifications notes

1. AES2-1984 Rev.2003. Radian Audio tests power using voltage levels calculated based on rated impedance, according to AES and IEC 60268-5 standards, as better reflecting real life operating conditions. To be distinguished from power specification approach that uses minimum impedance, resulting in inflated power rating.
2. Continuous program power is defined at 3dB higher than AES power and reflects power handling capacity for typical music and cinema content reproduction.
3. Driver mounted on horn with 120°x40° nominal coverage and following dimensions: 356 mm (14") mouth width, 152mm (6") mouth height, 165mm (6.5") horn depth. Measured at 1W/1m in simulated free field conditions as per AES 2-2012 and IEC 60268-5 (Ed.3.1 2007-09). Sensitivity is calculated based on SPL frequency response at 1W/1m, averaged in 800Hz – 5 kHz band.
4. Specified in accordance with IEC 60268-5 (Ed. 3.1 2007-09). Defines recommended operating frequency band for typical application with 24 dB/Oct. high pass filter. If lower filter slope rate is used, a higher XO point is recommended. Higher XO frequency is recommended, if higher max SPL is required.