

450PB-8/16 1" exit HF driver



SPECIFICATIONS

Nominal exit diameter	1"/25.4 mm
Rated impedance	8/16 Ω
Power handling ¹	40 W
Continuous program power ²	80 W
Sensitivity ³	108 dB
Rated frequency range ⁴	1.0 kHz – 25 kHz
Recommended min. XO frequency ⁴	1.2 kHz
Re	6.2/12.4 Ω
Minimum impedance	7.5/ 13.4 Ω
Diaphragm material	Structural Aluminum alloy
Voice coil diameter	44.5 mm (1.75")
Voice coil winding	Edge-wound ribbon
Voice coil wire	Copper-clad Aluminum
Voice coil former	High temperature polyimide
Magnet	Ferrite ring

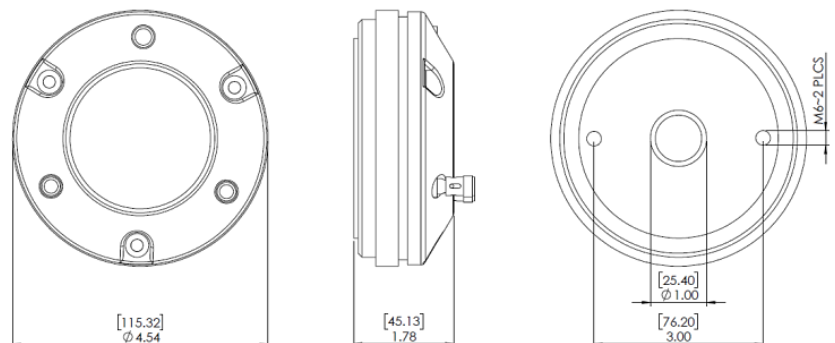
Mounting and mechanical parameters

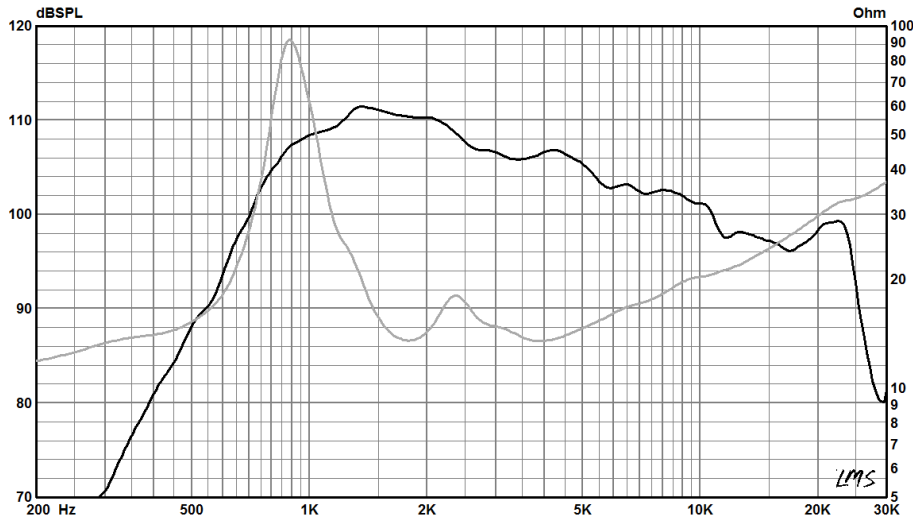
Mounting	2 x M6 on $\varnothing 3.0'' (76.2\text{mm}) @ 180^\circ$
Overall diameter	115.3 mm (4.54 in)
Overall depth	45.1 mm (1.8 in)
Net weight	1.47 kg (3.25 lbs.)

Optional accessories

Replacement diaphragm assembly	1450PB - binding posts 1450ZT - spade lug terminals
--------------------------------	--

- designed to withstand long term high stress operation at elevated RMS levels with high peak factor
- ideal for touring sound, stage monitors, high performance installed and portable sound systems
- proprietary processed and hardened aerospace grade Aluminum alloy diaphragm with highest tensile strength to weight ratio guarantees long term fatigue resistance, extended HF and accurate signal peak reproduction
- heat stabilized polymer surround ensures low distortion at high SPL and long term performance stability
- high performance 44.5mm (1.7") edge-wound ribbon wire voice coil with advanced adhesives for maximum reliability
- extended to 25 kHz frequency range
- very transparent and natural sound
- 80 W continuous program power
- self-aligning diaphragm assembly facilitates service in the field





Frequency response and impedance of 450PB-16
on specified horn, free field ³.

Specifications notes

1. As per AES2-1984 Rev.2003. Radian Audio tests power using voltage levels calculated based on rated impedance, according to AES and IEC 60268-5 standards, as better reflecting real life operating conditions. To be distinguished from power specification approach that uses minimum impedance, resulting in inflated power rating.
2. Continuous program power is defined at 3dB higher than AES power and reflects power handling capacity for typical music and cinema content reproduction.
3. Driver mounted on horn with 90°x60° nominal coverage and following dimensions: 203 mm (8") mouth width, 178mm (7") mouth height, 127 mm (5") horn depth. Measured at 1W/1m in simulated free field conditions as per AES 2-2012 and IEC 60268-5 (Ed.3.1 2007-09). Sensitivity is calculated based on SPL frequency response at 1W/1m, averaged in 1.0 kHz – 5 kHz band.
4. Specified in accordance with IEC 60268-5 (Ed. 3.1 2007-09). Defines recommended operating frequency band for typical application with 12 dB/Oct. high pass filter. Higher XO frequency and/or higher filter slope rate is recommended, if higher max SPL is required.