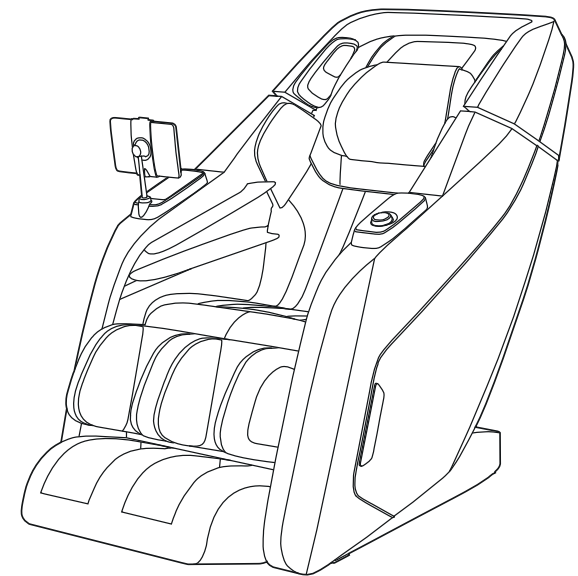


# **PEGASUS** HYBRID



Before operating this unit, please read these instructions completely.

\* Due to continuous quality improvement, the specifications and part names in this instruction manual may be different than the actual product

## ▶ PEGASUS HYBRID MASSAGE LOUNGER

---

Thank you for purchasing the **Pegasus Hybrid**.

Before using this chair for the first time, please read through all sections of this user manual carefully, paying special attention to the Safety Instructions.

PLEASE RETAIN THIS MANUAL FOR FUTURE REFERENCE.

## ▶ CONTENTS

---

IMPORTANT SAFETY PRECAUTIONS .....	1
PARTS .....	3
Exterior Structure .....	3
Interior Structure .....	3
Power Supply .....	4
MESSAGE CHAIR OPERATION .....	5
Armrest Controller .....	5
Armrest Controller Operation .....	6
Voice Command .....	8
SETUP .....	11
Installation .....	11
Massage Chair Placement .....	15
Initial Operation .....	17
Move Method .....	18
Grounding Instruction .....	19
PRODUCT STORAGE AND MAINTENANCE .....	20
TROUBLESHOOTING .....	21
TECHNICAL SPECIFICATIONS .....	22

## ▶ IMPORTANT SAFETY PRECAUTIONS

Please pay close attention to the following safety information while using your massage chair. Please carefully read all instructions before using this product.

### ⚠ WARNING

In order to reduce risk of fire, burns, electric shock or injury to others, please abide by the following instructions:

1. Be sure to unplug the unit when it is unattended. Ensure that it is left unplugged when not in use or before installing or removing any parts.
2. Children and any person requiring special care should use this unit under adult supervision.
3. Be sure to use this unit for the purposes described in this manual. Please do not install parts and accessories not provided by the manufacturer.
4. This unit must not be used under these conditions:
  - a) the power cord or plug is damaged;
  - b) the unit is malfunctioning or operating incorrectly;
  - c) the unit is damaged or exposed to water.Contact our service center for inspection and repair.
5. Do not move this massage chair by pulling the power cord or using the cord as a handle.
6. Be sure to keep the power cord away from any source of heat.
7. Do not use this unit when the air outlet is blocked. Please keep the air outlet unblocked and free from hair and dust.
8. Do not drop or insert any objects into any opening.
9. Do not use this product outdoors.
10. Do not use this product in areas where aerosol products are used or oxygen is being released.
11. To power off, please switch off all controls before unplugging.
12. Please do not stand on or in the unit. It can only be used in a seated position.
13. Be sure to supervise children and ensure that they do not use the unit as a toy or for playing.
14. Connect this unit to a properly grounded outlet only. See Grounding Instructions (Page 18).
15. This unit is not intended for use by persons (including children) with reduced sensory or mental capabilities, or those with a lack of experience or knowledge of its operation, unless they have been given supervision or instruction concerning use of the appliance by a person responsible for their safety. Children should be supervised to ensure that they do not play with the unit.
16. If the covering is torn or worn away, do not use the unit and return to service center for replacement of outer cover.

### SAVE THESE INSTRUCTIONS

This massage chair is intended for household use only. Please consult a doctor before using the massage chair if it is to be used by a child or persons with any medical condition.

## ▶ IMPORTANT SAFETY PRECAUTIONS

### ⚠ CAUTION

Anyone with the following conditions should consult a medical professional before using this device:

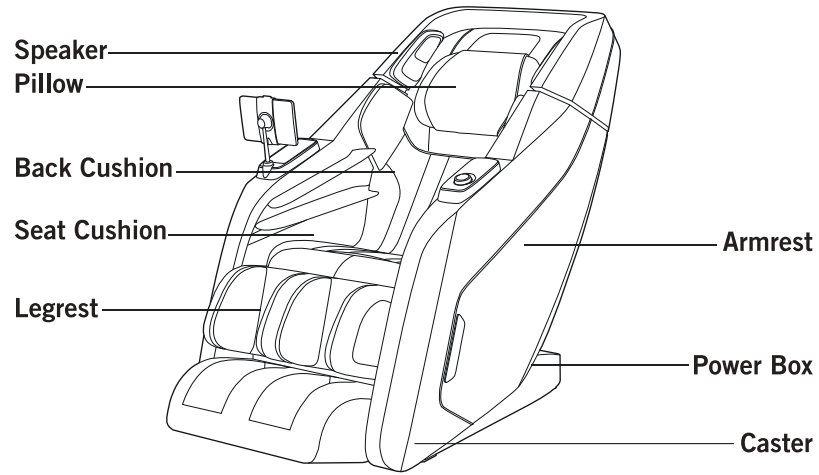
- Persons using embedded medical electronic devices such as a pacemaker.
- Women who are pregnant or who have just given birth.
- Persons with sensory loss or numbness.
- Persons with sensitivity to heat.
- Persons with bodily injuries including open wounds on the skin.
- Persons with bone injuries or with weak bones, loss of bone density, or who are otherwise prone to damaging or bruising bones.
- Persons using blood thinners or who bruise easily.
- Persons with skin disorders or who are prone to allergic reactions of the skin (sensitive skin).
- Any illness or injury that may cause you to be adversely affected by heat or massage pressure.

#### General Safety Precautions:

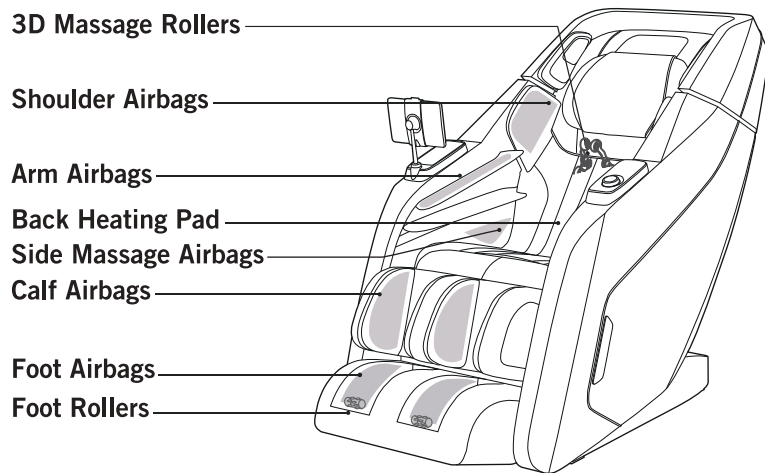
- Do not use unit if it shows signs of malfunctioning or damage. Do not use if there are any rips or tears in the fabric that may expose the moving parts underneath, as serious injury can result.
- Setup unit properly by following all instructions in the section "Setup." Failure to follow proper setup and use instructions can cause injury or damage.
- Do not use the unit for longer than 30 minutes at one time. Continual use to one specific part of the body should not exceed five minutes. Excessive massage or heat applied to one area can cause injury or discomfort.
- Do not use the heat function for long periods of time, as low-temperature burns may occur.
- If rashes, skin reddening, itching, or other skin discomfort or skin reactions occur, discontinue use and consult a medical professional.
- Do not leave unit unattended while plugged in. Keep chair powered off and unplugged when not in use or when not supervised.
- Do not sleep in the unit while it is in use.
- For use by only one person at a time.
- Do not use accessories while using the unit, including added heat blankets or pads or other heating units, and including any other massage units or electronic devices.
- Wear loose, comfortable clothing when using the chair.
- Remove items that can cause injury during a massage, including: jewelry, hair accessories and hats, belts, glasses, and any other hard items that could be pressed against your skin. Empty all items from pockets, including wallets.
- Do not unplug or flip the power switch when the unit is in use.
- Do not move the unit while it is in use or while anyone is in it.
- Not intended for use by pets, elderly persons, children, disabled persons, drowsy/inebriated persons, or persons with sensory loss.

## ▶ PARTS

### EXTERIOR STRUCTURE

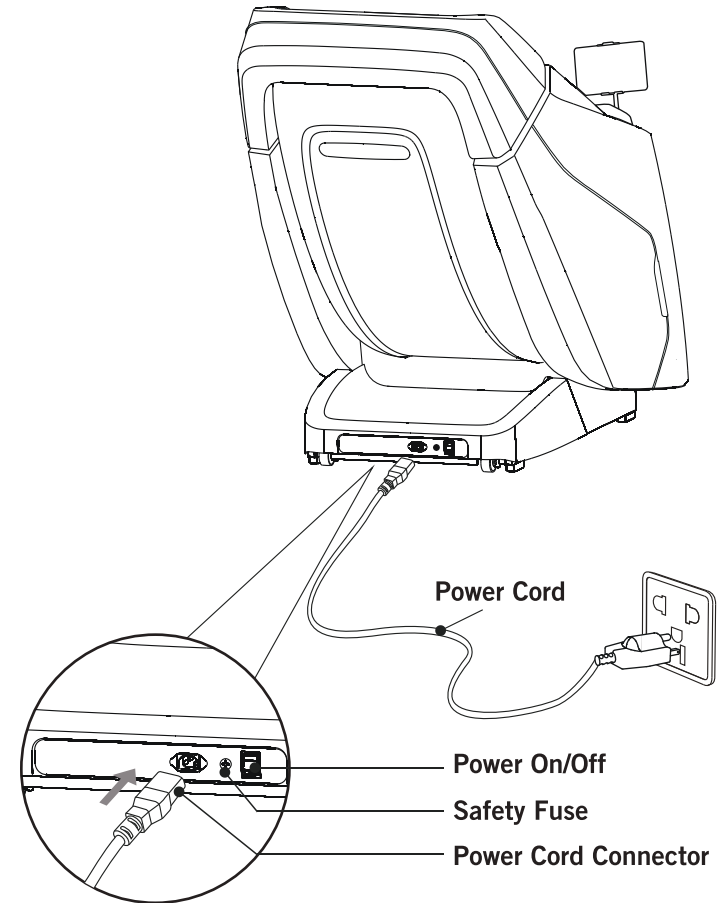


### INTERIOR STRUCTURE



## ▶ PARTS

### POWER SUPPLY

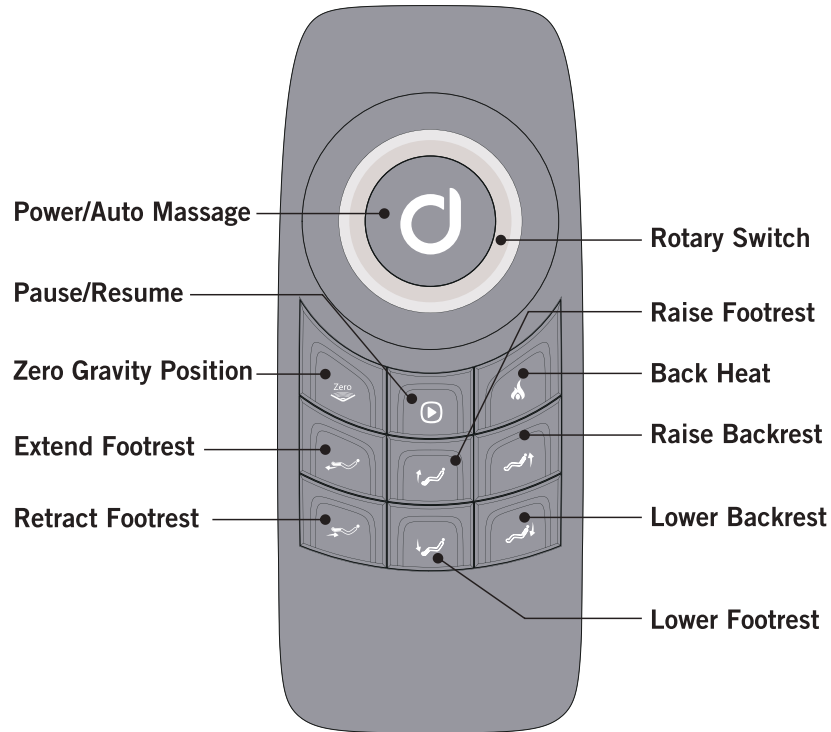


## ▶ MESSAGE CHAIR OPERATION

### ARMREST CONTROLLER

#### Rotary Switch

Adjust the strength of the 3D rollers during an Auto Mode or Manual Mode massage program. Rotate clockwise to increase 3D massage intensity, counterclockwise to decrease intensity. (During a 3D Mode massage program, roller strength is set automatically.)



## ▶ MESSAGE CHAIR OPERATION

### ARMREST CONTROLLER OPERATION

The Armrest Controller gives you convenient access to key functions of your chair.



#### Power On/Off

- ▶ Long press for 3 seconds to Power On/Off the massage chair.
- ▶ Press again to start Auto Massage Programs, you may toggle among the 6 pre-set auto massage programs.



#### Rotary Switch

- ▶ Rotate to adjust the strength of the 3D rollers during an Auto Mode or Manual Mode massage program.
- ▶ Rotate clockwise to increase the 3D massage intensity, rotate counterclockwise to decrease intensity.
- ▶ During a 3D Mode massage program the roller strength is set automatically.



#### Zero Gravity

- ▶ Press to turn on Zero Gravity position massage.
- ▶ Press again for Zero Gravity mode 2.
- ▶ Press again to turn off Zero Gravity.



#### Pause/Resume Button

- ▶ Press to pause all functions, press again to resume.



#### Heat Button

- ▶ Press to turn back heat on, the indicator light turns red.
- ▶ Press again to turn off the Heat.



#### Extend Footrest

- ▶ Press and hold to activate the Extend Footrest function.
- ▶ Release button when in desired position.



#### Raise Footrest

- ▶ Press to activate the Raise Footrest function, the indicator light turns red.
- ▶ Press again to deactivate the function, the button indicator turns green.

## ▶ MESSAGE CHAIR OPERATION



### Raise Backrest

- ▶ Press and hold to Raise Backrest.
- ▶ Release button when in desired position.



### Retract Footrest

- ▶ Press and hold to Retract Footrest.
- ▶ Release button when in desired position.



### Lower Footrest

- ▶ Press and hold to Lower Footrest function.
- ▶ Release button when in desired position.



### Lower Backrest

- ▶ Press and hold to Lower Backrest.
- ▶ Release button when in desired position.

### ⚠ CAUTION

- ▶ Do not get into the massage chair when the footrest is lifted.
- ▶ A sudden excessive load pressed on the backrest or footrest may cause damage to the product or injury to the user.
- ▶ Before getting in the chair, make sure the backrest is restored to the upright position, then recline the chair to desired angles after sitting in the chair.
- ▶ Do not put feet, fingers or any other objects in the openings of the chair.

## ▶ MESSAGE CHAIR OPERATION

### VOICE COMMAND

Get quick access your chair's most used settings without using the handheld controller by using the Voice Command feature. The Pegasus Hybrid speaks multiple languages. Switch the language to Chinese, on the controller, to speak to the Pegasus Hybrid in Chinese. Find the Chinese command list on [daiwamassage.com](http://daiwamassage.com).

#### Instructions

To activate Voice Command, say "Hello, Daiwa." The chair will respond and then will wait for a command. After activating, you have 15 seconds to say your command (see list below). After 15 seconds, it will deactivate and you will need to activate again with "Hello, Daiwa." Once activated, you can use more than one command, but only one at a time. After a command & reply, you can then say another command.

List of Commands:

Your Command	Pegasus Hybrid Reply	Description of Action
"Hello, Daiwa" *	Hello, what can I do for you?	Activates Voice Command feature and waits for a command.
"Turn On"	Ok, turning chair on.	Turns on chair's main power.
"Power Off"	OK, power off.	Turns chair's main power off.
"Invigorating Massage"	OK, invigorating massage.	Starts an Auto massage program in Invigorating Massage Mode.
"Cool Down"	OK, cool down.	Starts an Auto massage program in Cool Down Mode.
"Gentle Yoga"	OK, gentle yoga.	Starts an Auto massage program in Gentle Yoga Mode.
"Breathe Massage"	OK, breathe massage.	Starts an Auto massage program in Breathe Massage Mode.
"Relaxation Massage"	OK, relaxation massage.	Starts an Auto massage program in Relaxation Massage Mode.
"Deep Release"	OK, deep release.	Starts an Auto massage program in Deep Release Mode.

\*Pronounced [dye wuh]

## ► MESSAGE CHAIR OPERATION

List of Commands, Continued:

Your Command	Pegasus Hybrid Reply	Description of Action
"Power Yoga"	OK, power yoga.	Starts an Auto massage program in Power Yoga Mode.
"Sweet Dreams"	OK, sweet dreams.	Starts an Auto massage program in Sweet Dreams Mode.
"Strong Massage"	OK, strong massage.	Starts an Auto massage program in Strong Massage Mode.
"Acupoint Massage"	OK, acupoint massage.	Starts an Auto massage program in Acupoint Massage Mode.
"Muscle Massage"	OK, muscle massage.	Starts an Auto massage program in Muscle Massage Mode.
"Traditional Massage"	OK, traditional massage.	Starts an Auto massage program in Traditional Massage Mode.
"Energizing Massage"	OK, energizing massage.	Starts an Auto massage program in Morning Buzz Mode.
"Refreshing Nap"	OK, refreshing nap.	Starts an Auto massage program in Refreshing Nap Mode.
"Gentle Touch"	OK, gentle touch.	Starts an Auto massage program in Gentle Touch Mode.
"Revive Massage"	OK, revive massage.	Starts an Auto massage program in Revive Massage Mode.
"Stress Relief"	OK, stress relief.	Starts an Auto massage program in Stress Relief Mode.
"Active Massage"	OK, active massage.	Starts an Auto massage program in Active Mode.
"Post-Run"	OK, post-run.	Starts an Auto massage program in Post-Run Mode.

## ► MESSAGE CHAIR OPERATION

List of Commands, Continued:

Your Command	Pegasus Hybrid Reply	Description of Action
"Light Rubdown"	OK, light rubdown.	Starts an Auto massage program in Light Rubdown Mode.
"Waist and Hips"	OK, waist and hips.	Starts an Auto massage program in Waist and Hips Mode.
"Royal Treatment"	OK, royal treatment.	Starts an Auto massage program in Royal Treatment Mode.
"Back and Spine"	OK, back and spine.	Starts an Auto massage program in Back and Spine Mode.
"Leg and Foot"	OK, leg and foot.	Starts an Auto massage program in Leg and Foot Mode.
"Zero Gravity 1"	OK, zero gravity 1.	Starts Zero Gravity 1 Function.
"Zero Gravity 2"	OK, zero gravity 2.	Starts Zero Gravity 2 Function.
"Heat On"	OK, heat on.	Turns on Heat Function.
"Heat Off"	OK, heat off.	Turns off Heat Function.

**Tips:**

- For best results, use the exact terminology in the table above and speak clearly and loudly.
- You can use Voice Command to turn on the chair, but only if the chair is plugged in and the switch on the base of the Power Box is switched to "On."

## ▶ SETUP

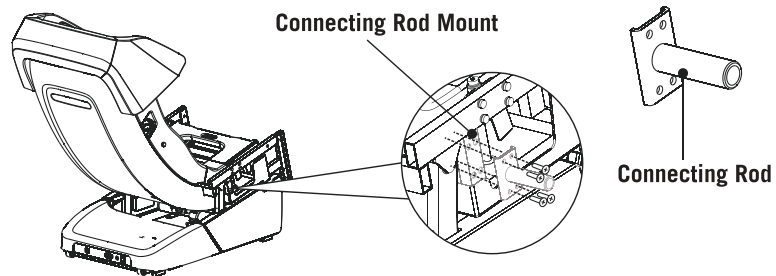
### INSTALLATION

#### 1. Carefully lift the chair and all parts from their packaging.

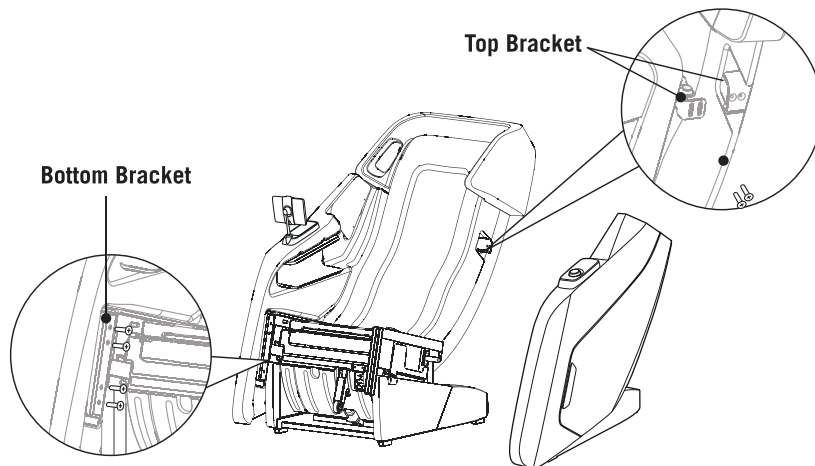
- ▶ Remove any protective wrapping. Locate the packing list.
- ▶ Check to make sure all parts are present.

#### 2. Installing the Armrest

- ▶ Attach the Connecting Rod to the Connecting Rod Mount. Secure with 4 screws.
- ▶ Connect the airtube and cable from the side of the main body to the armrest (not pictured).



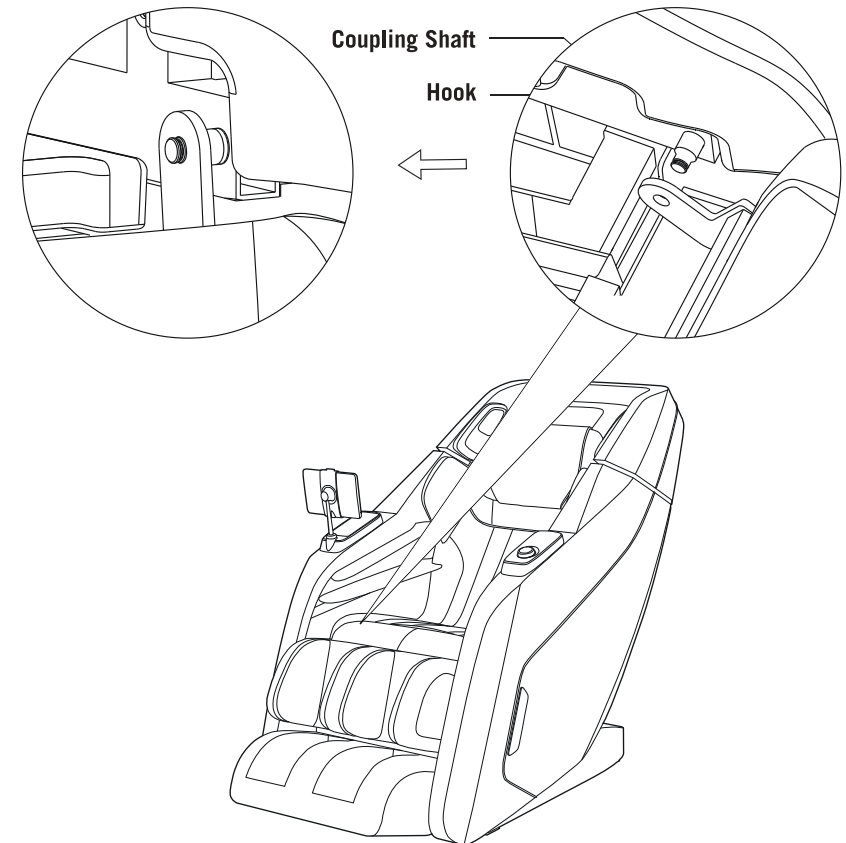
- ▶ There are brackets located at the top and bottom of the armrest to connect it to the main body. Attach the armrest to the top and bottom brackets. Secure with 4 screws on the bottom bracket, and 2 screws on the top bracket.



## ▶ SETUP

#### 3. Installing the Legrest

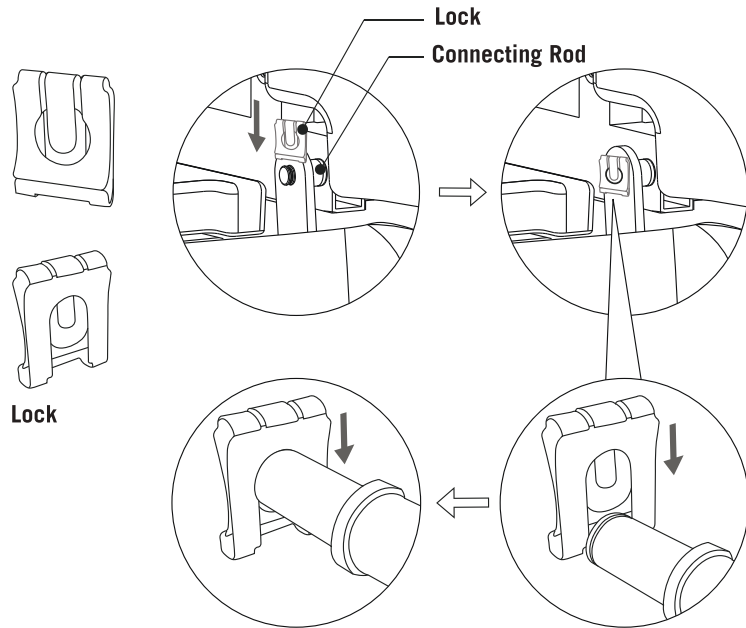
- ▶ Lift the legrest and connect the legrest with the Coupling Shaft by hanging it (pay attention to the balance).
- ▶ Move the Hook to one side of the Coupling Shaft, then attach the other side.



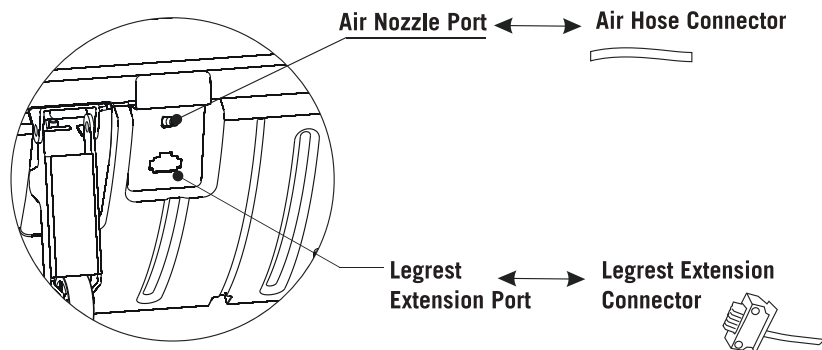


## ▶ SETUP

- ▶ After the legrest is in place, lock it in place by sliding the Lock onto the Connecting Rod.



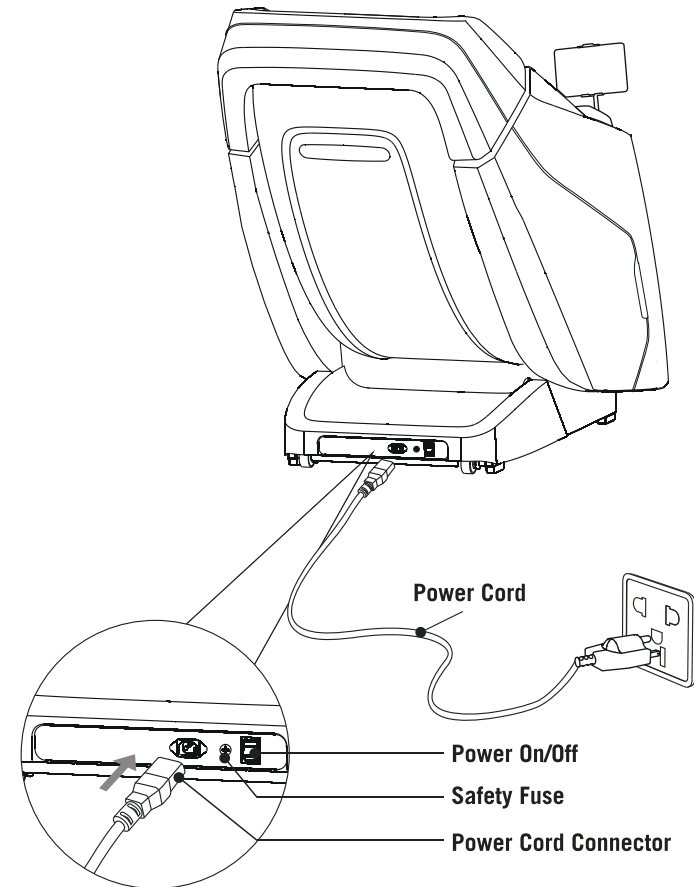
- ▶ After the legrest is locked, lift the legrest by reclining the chair. Attach the corresponding connectors to the ports located on the back of the legrest.



## ▶ SETUP

### 4. Installing all Other Units

- ▶ Connect the controller to its corresponding port on the power supply box. Insert the power plug of the chair into a wall outlet, then turn on the power to return the chair's backrest to its upright position.



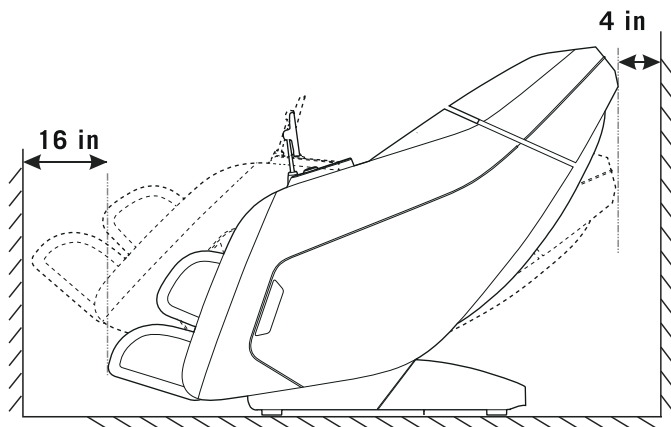
- ▶ After all parts are assembled, insert the Power Cord into the Power Socket, and then turn on the Power switch, press power on the remote control to start massage.

## ▶ SETUP

### MASSAGE CHAIR PLACEMENT

When looking for a location to place your massage chair, keep following in mind:

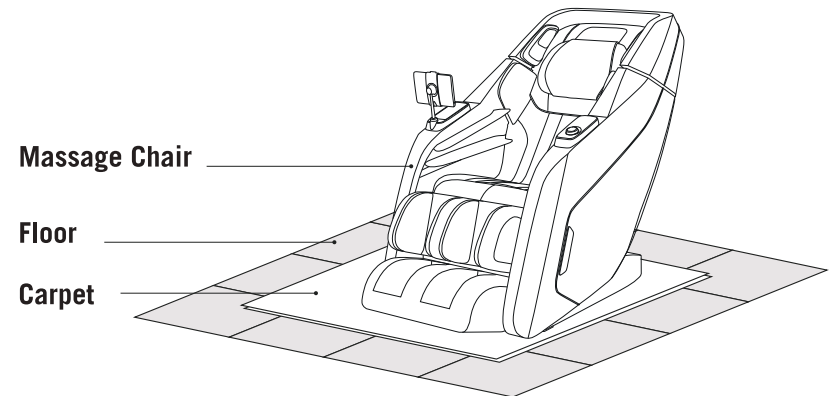
- ▶ This chair features our unique “Wall Hugger” design, so it takes up much less space than a typical chair. To fully recline the chair, be sure to keep it 4 inches away from any wall, and allow about 16 inches in front of the legrest
- ▶ To prevent wearing out the floor beneath the chair, we advise placing some cushioning material, such as a rug or plastic mat, underneath the chair.
- ▶ To prevent possible electrical leakage, do not place the massage chair in or near a damp environment, such as a bathroom.
- ▶ To prevent fire or damage to its leather material, keep the message chair away from any sources of heat (such as a stove or furnace).



## ▶ SETUP

### WHERE TO USE THE UNIT

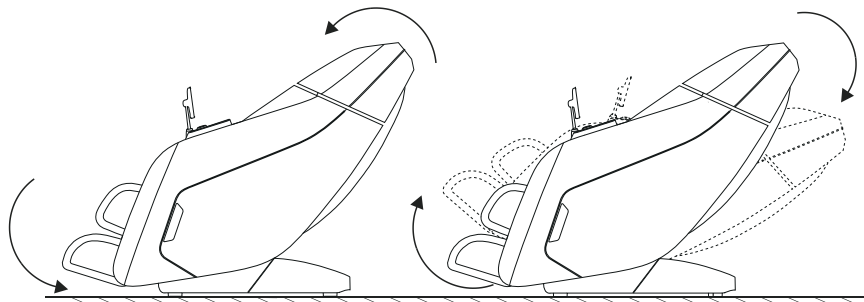
- ▶ Ensure adequate space to recline.
- ▶ Do not expose the massage lounger to direct sunlight or high temperatures, such as in front of heating sources, because this can cause discoloration or hardening of the synthetic leather.
- ▶ Place the unit on a mat to prevent floor damage.
- ▶ When placing the mat under the unit, the size of the mat should be sufficient (at least 3' x 5' to cover the areas where the unit touches and where the legrest could touch the floor).
- ▶ Install the unit near a power socket.



## ▶ SETUP

### INITIAL OPERATION

- ▶ Make sure there are no objects, people, or pets in the vicinity of the chair.
- ▶ Use the controller to lower the backrest to its furthest outstretched position. Raise the legrest to its highest position. Make sure that sufficient open space surrounds the chair on all sides. Make sure that the leg rest is properly connected to the main part of the chair.
- ▶ Return the chair to its original, upright position.



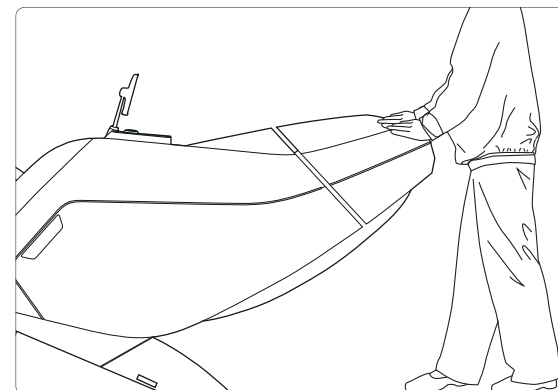
### ⚠ CAUTION

- ▶ Do not sit on the massage chair while the legrest is rising.
- ▶ To avoid possible damage, do not suddenly load the legrest with heavy weight.
- ▶ Do not allow children to play with this massage chair. If controls are tampered with, accident or injury arising from the power supply box may result.
- ▶ After your massage finishes its cycle, switch off power and remove the power plug from its wall outlet.
- ▶ Avoid operating this chair during rain and thunderstorms.
- ▶ When the chair is not in use, switch off power and remove the power plug from its wall outlet.
- ▶ If you do not plan to use the chair for an extended period of time, please put it into storage.
- ▶ Avoid dragging this chair across surfaces that can easily be damaged, such as wooden or carpeted flooring.
- ▶ To prevent electric shock, do not operate this chair within damp environments.
- ▶ Do not place this chair near a stove or other significant sources of heat. Do not expose the chair to prolonged sunlight. Damage to its leather cover may result.
- ▶ Do not hold on the legrest leg/sole massage section when moving the unit. If this is not observed, the section may slide as you move the unit, and injuries may occur.
- ▶ Do not drag or push the unit in an installed state. Protect your floor (place a mat or similar) when moving the unit on its wheels to avoid damage to your floor.

## ▶ SETUP

### MOVE METHOD

- ▶ Make sure that the backrest is in its highest upright position.
- ▶ Shut off the power and unplug the power plug from the electrical outlet.
- ▶ Standing behind the back of the chair, grasp its backrest and tilt it downward, so that the front of the chair rises off of the floor. Push the chair to the location you desire.



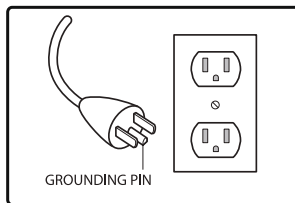
### ⚠ CAUTION

- ▶ Do not try to carry the chair on your own.
- ▶ Do not attempt to move the chair while someone is still sitting on it.
- ▶ While moving the chair, always grasp its backrest. Do not try to move the chair by grasping its armrests.
- ▶ Before plugging it in, inspect the entire power cord and plug for any possible damage. Make sure that no electrical wires are exposed.
- ▶ Make sure that the power supply switch is turned OFF before inserting the power plug into a wall outlet.

## ▶ SETUP

### GROUNDING INSTRUCTIONS

This product must be grounded. If it should malfunction or break down, grounding provides a path of least resistance for electric current to reduce the risk of electric shock. This product is equipped with a cord having an equipment-grounding conductor and a grounding plug. The plug must be plugged into an appropriate outlet that is properly installed and grounded in accordance with all local codes and ordinances.



#### ⚠ DANGER

- ▶ Improper connection of the equipment-grounding conductor can result in a risk of electric shock. Check with a qualified electrician or serviceman if you are in doubt as to whether the product is properly grounded. Do not modify the plug provided with the product – if it will not fit the outlet, have a proper outlet installed by a qualified electrician.
- ▶ This product is for use on a nominal 120-volt circuit and has a grounding plug that looks like the plug illustrated. Make sure that the product is connected to an outlet having the same configuration as the plug. No adapter should be used with this product.

### GROUNDING

This massage chair belongs to Class 1 of the IEC Protection Class. Be sure to use a three-core power supply socket. To avoid electric shock, leakage, or other electric risk ensure the ground wire connected to the power supply has obtained a stable ground connection.

## ▶ STORAGE AND MAINTENANCE

### CLEANING

- ▶ Before cleaning, switch off power and remove the power plug from the wall outlet.
- ▶ Dip a soft, cotton cloth in neutral detergent and wring dry. Use it to wipe the pillow cushion, back cushion, armrests, legrests, and any plastic parts of the chair.
- ▶ Use a piece of wet cloth (without detergent) to re-wipe the pillow cushion and back cushion. Place them in a well-ventilated location for drying.
- ▶ Use a soft, dry cloth to re-wipe the armrests, legrests, and any plastic parts of the chair.
- ▶ Use a soft, dry cloth to wipe the controller, and the power supply box.

#### ⚠ CAUTION

- ▶ Before any maintenance, always disconnect the power plug from the wall outlet.
- ▶ To avoid electric shock, never touch the power plug with wet hands.
- ▶ When cleaning the back cover of the massage chair, do not allow any detergent to seep into the power supply box.
- ▶ Do not use abrasive chemicals, such as benzene or alcohol, to clean this chair.
- ▶ Damage to the chair may result.
- ▶ DO NOT apply an iron or any other heated device to the chair.

### STORAGE

- ▶ Before putting into storage, wipe off all accumulated dirt and dust from the surface of the chair. Cover the entire surface of the chair with a dust cover (not included).

#### ⚠ CAUTION

- ▶ Do not store the product under direct sunlight, nor in a location with high temperatures. Doing so may cause the upholstery to fade.

### MAINTENANCE

Upon detecting any of the following conditions during daily use, immediately turn off power, disconnect the power plug from the wall outlet, and contact an authorized repairman:

- ▶ A burning smell
- ▶ The power cord feels hot.
- ▶ Any other abnormal symptoms
- ▶ The cord is plugged in and the power switch flipped on, but no functions operate.

#### ⚠ CAUTION

- ▶ Do not store the product under direct sunlight, nor in a location with high temperatures. Doing so may cause the upholstery to fade.

## ▶ TROUBLESHOOTING

No.	Problem	Check the following:	Explanations / Remedies
1	Noises are heard during operation	N/A	These noises are normal and arise from friction between the massage rollers and the leather cover.
2	Operation fails to start	Has the power plug slipped out of the wall outlet? Is the power switch in the "off" position? Has the fuse blown out?	Connect the power plug securely to the wall outlet. Switch power to the "on" position. Replace the fuse with another of the same type.
3	Airbags within the seat and the legrest fail to work properly	Are the air tubes blocked?	Clean out the air tubes.
4	Airbags within the seat and the legrest fail to work properly	The massage chair has detected some error that it is unable to display.	Turn off power, then turn it on again. If the problem persists, disconnect the power plug from the wall outlet and contact an authorized repairman

If problems persist after applying the suggestions above, turn off power and remove the power plug from the wall outlet. Then contact the manufacturer for maintenance and repair.



### IMPORTANT

Do not attempt to dismantle or repair the chair by yourself. Doing so will void the warranty and U.S. Jaclean, Inc. will not bear any responsibility for any subsequent consequences.

## ▶ TECHNICAL SPECIFICATIONS

Product Name: Pegasus Hybrid

Product Model: PEGS-3

Rated Voltage: 110-220V~

Rated Frequency: 60Hz

Rated Current: 1.56A

Safety Design: Class I

# Limited Warranty

## PEGASUS HYBRID MESSAGE CHAIR

### Consumer Limited Warranty: ONE-YEAR WARRANTY

This warranty guarantees that the product purchased is to be free from defects in material and workmanship under normal usage and local voltage for a period of one year. This warranty expires in TWO (2) years on parts, and ONE (1) year on labor after the date of purchase.

U.S. Jaclean, Inc. (referred to as “the Warrantor”) will repair this product with new or rebuilt parts in case of defects in material or workmanship, free of charge, in the USA provided that:

- 1) The product is operated in accordance with the printed instructions supplied.
- 2) The product is used under normal conditions for which designed.
- 3) The product is not subjected to misuse, negligence, or accident.
- 4) The product receives proper care, protection, and maintenance.

This warranty is extended to the original end-user when purchased from an authorized U.S. Jaclean, Inc. distributor. A purchase receipt or other proof of date of the original purchase is required for service and parts replacement under this warranty. This warranty does not cover shipping charges for defective items if a claim is made more than 30 days after the date of purchase.

This warranty only covers failures due to defects in materials and workmanship, and does not cover normal wear or cosmetic damages. This warranty does not cover damages which occur in shipment, or failures which result from: accident, misuse (including, without limitation, failure to comply with instructions and use limitations contained in the Operating Instructions), abuse, neglect, mishandling, faulty installation, set-up adjustments, improper operation or maintenance, alteration, modification, power line surge, lightening, improper line voltage, commercial use such as hotel, office, restaurant, or other business or rental use of product, service by anyone other than from U.S. Jaclean, Inc., or damage that is attributable to “acts of God.” Continued use of this product after discovering a defect voids this warranty. This warranty gives you specific legal rights, and you may also have other rights which may vary from state to state.

IMPORTANT: DO NOT return defective product to the store.  
Contact U.S. Jaclean, Inc. for repair services.

Please retain this Warranty Certificate, together with the original purchase receipt, and present it to our technician for inspection during service.  
For assistance and more information, please contact U.S. Jaclean, Inc.  
Online warranty registration at: [daiwamassage.com](http://daiwamassage.com)



Distributed by U.S. Jaclean, Inc.  
Gardena, CA 90249

**1-833-542-1918**  
9AM - 5PM PST (Monday - Friday)  
[usjaclean.com](http://usjaclean.com)