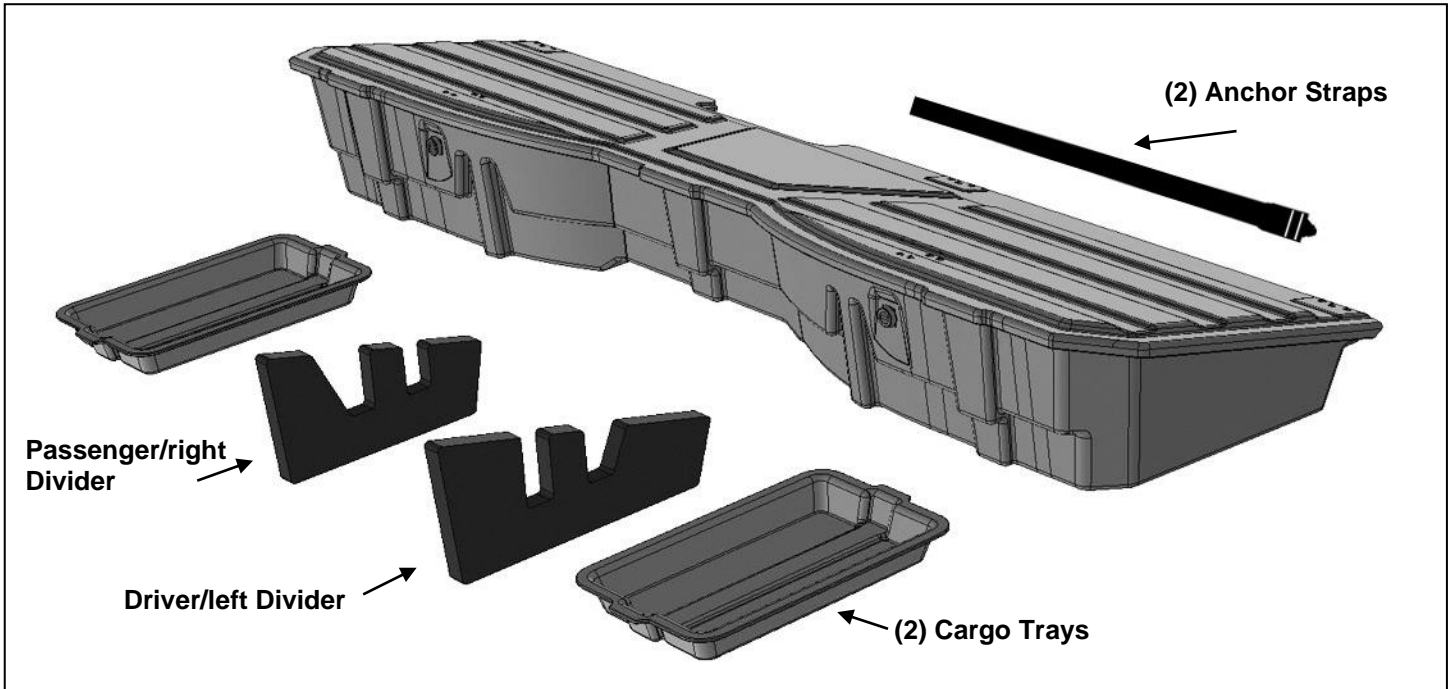


LOCKING UNDER SEAT STORAGE
2007-18 SILVERADO/SIERRA 1500 CREW CAB
2007-19 SILVERADO/SIERRA 25-3500 CREW CAB

PARTS LIST:

1	Cargo Box	2	Cargo Trays
1	Driver/left Divider	2	Anchor Straps
1	Passenger/right Divider		



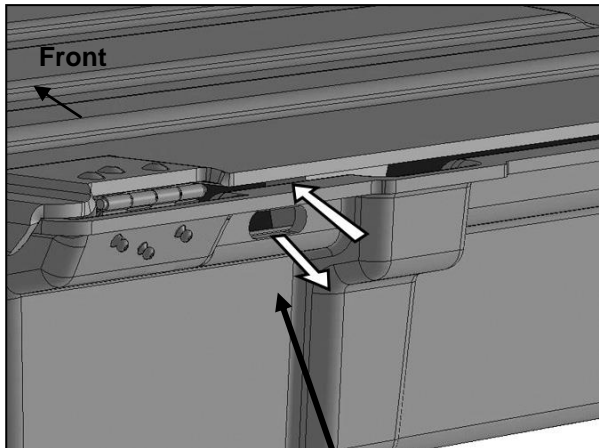
PROCEDURE:

REMOVE CONTENTS FROM BOX. VERIFY ALL PARTS ARE PRESENT. READ INSTRUCTIONS CAREFULLY BEFORE STARTING INSTALLATION.

1. Pull the release handle (strap) and lift rear seat bottom. Models with factory installed seat storage tray must remove tray. Place the Storage Box on the floor of the vehicle.
2. Open the Storage Box lid. Select (1) Anchor Strap. Insert the blank end, (without buckle), of the Strap between the lid and the top of the box above the slot in the driver/left side of the box, **(Figure 1)**. Push the end back out through the slot in the back wall of the box.
3. Insert the blank end of the driver/left side Anchor Strap into the gap between the plates on the seat base, **(Figure 2)**. Pull the Strap through the base and connect it to the buckle, **(Figures 3 & 4)**. Leave loose at this time. **NOTE:** Strap can be wrapped around the outside of the seat base if desired but will be more visible.
4. Repeat **Steps 2 & 3** to attach the passenger/right Anchor Strap to the bottom of the jack mounting bracket, **(Figure 5)**. **IMPORTANT:** Due to the universal design of the Anchor Straps for the Storage Box, make sure all mounting points are sturdy and that the straps cannot come in contact with sharp edges or moving parts of the seat frame and hinge assembly.
5. Slowly lower seat bottom to check fit of Box and Anchor Straps. Once all mounting points have been checked, fully tighten Anchor Straps, **(Figures 6 & 7)**.
6. Do periodic inspections to the installation to make sure that all hardware is secure and tight.

Use mild soap and water to clean the Storage Box. Periodically apply a few drops of lubricant to lock assemblies.

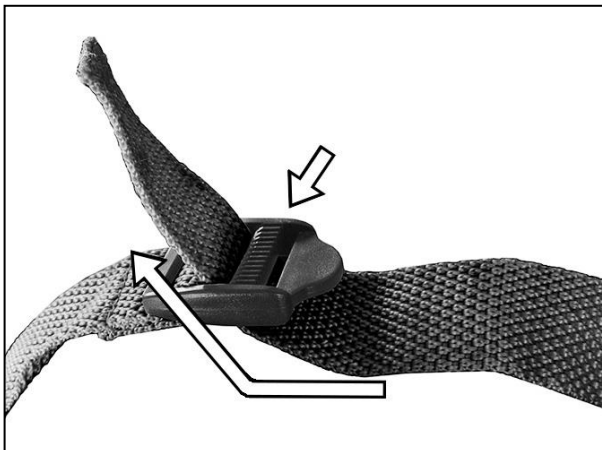
**LOCKING UNDER SEAT STORAGE
2007-18 SILVERADO/SIERRA 1500 CREW CAB
2007-19 SILVERADO/SIERRA 25-3500 CREW CAB**



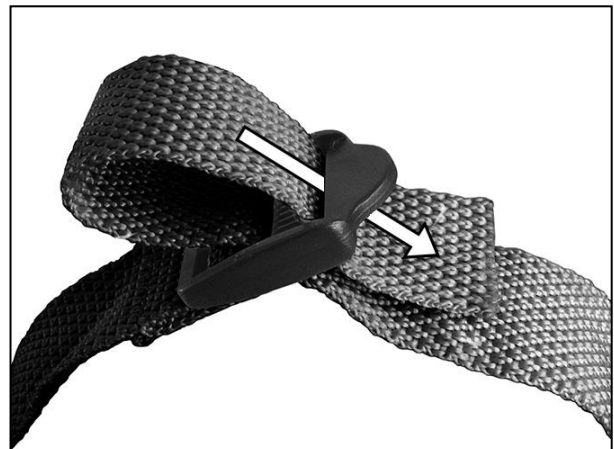
(Fig 1) Insert blank end (no buckle) of Anchor Strap between lid and base. Push end back through slot in back wall of base.



(Fig 2) Insert blank end of strap between inner and outer plates on driver/left side seat base. NOTE: Anchor Strap can also be wrapped around outside of seat base but is more visible



(Fig 3) With teeth on buckle facing "up," (small arrow), insert blank end up through inner slot in buckle next to teeth.



(Fig 4) Insert blank end down through outer slot in buckle. Loop in strap should wrap around section with teeth on buckle

**LOCKING UNDER SEAT STORAGE
2007-18 SILVERADO/SIERRA 1500 CREW CAB
2007-19 SILVERADO/SIERRA 25-3500 CREW CAB**



(Fig 5) Attach passenger/right Anchor Strap to jack mounting bracket (arrow)



(Fig 6) Pull blank end of Anchor Strap to tighten strap



(Fig 7) Once properly adjusted, push blank end of strap back into slot in buckle



Installation complete