



# SNIPER RUNNING BOARD

PART #: TAC-TDS9-034

**FITS:** 2024-Up Toyota Tacoma Double Cab



60-120 min



Cutting Not Required



Drilling Not Required

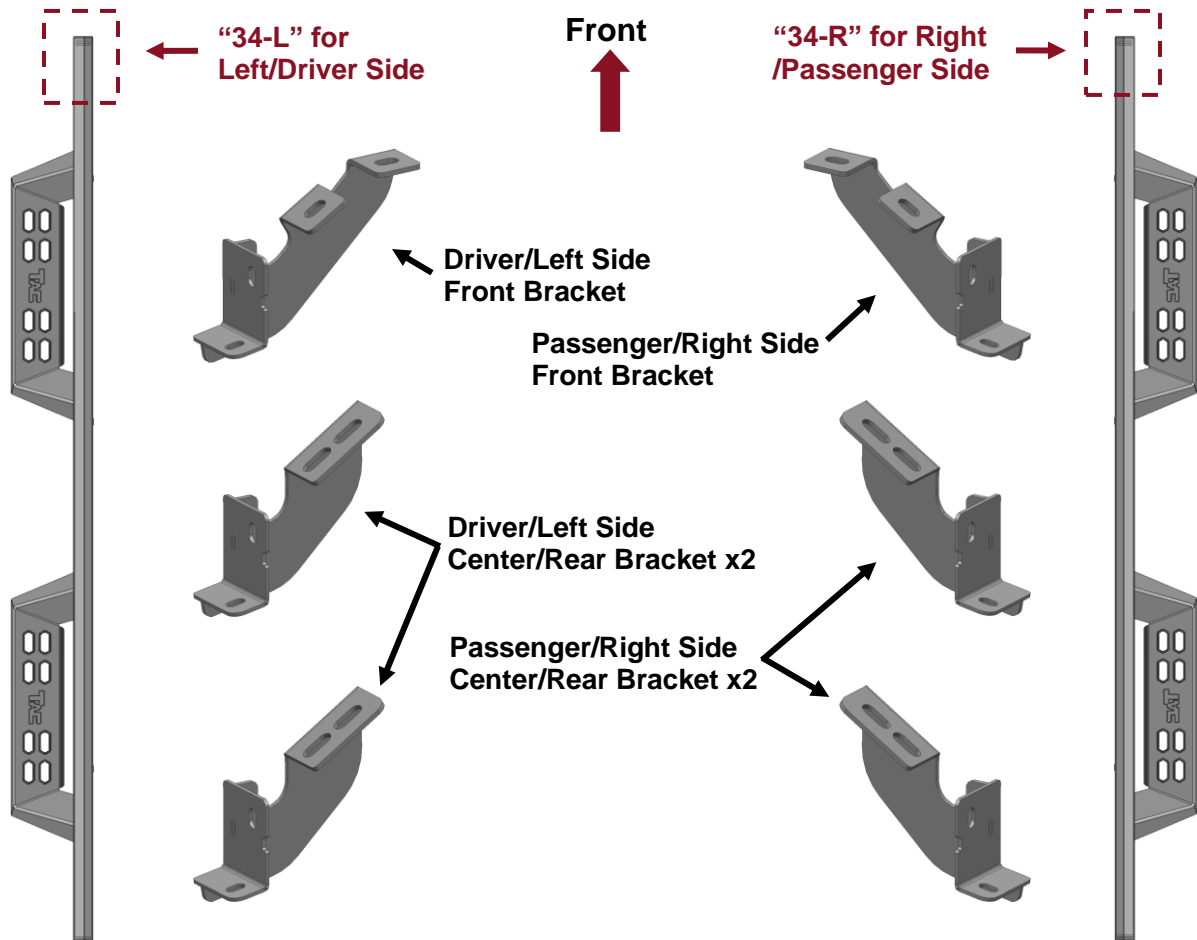
## Torque & Tools

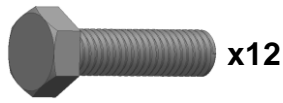
| Fastener Size                           | Tightening Torque (ft-lbs)                | Wrench Required |  | Allen Wrench Required |                              |
|---|---|-----------------|--|-----------------------|------------------------------|
|   |   |                 | <input type="checkbox"/> 10mm            |                       | <input type="checkbox"/> 4mm |
| <input type="checkbox"/> 6mm            | <input type="checkbox"/> 7-8.5            |                 | <input checked="" type="checkbox"/> 13mm |                       | <input type="checkbox"/> 5mm |
| <input checked="" type="checkbox"/> 8mm | <input checked="" type="checkbox"/> 18-20 |                 | <input type="checkbox"/> 16mm            |                       | <input type="checkbox"/> 6mm |
| <input type="checkbox"/> 10mm           | <input type="checkbox"/> 35-40            |                 | <input type="checkbox"/> 18mm            |                       | <input type="checkbox"/> 8mm |
| <input type="checkbox"/> 12mm           | <input type="checkbox"/> 60-70            |                 |  |                       |                              |

### BEFORE INSTALLATION

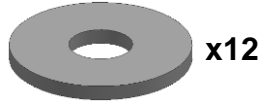
REMOVE CONTENTS FROM BOX. VERIFY ALL PARTS ARE PRESENT. READ INSTRUCTIONS CAREFULLY BEFORE STARTING INSTALLATION. ASSISTANCE IS RECOMMENDED.

### Part List





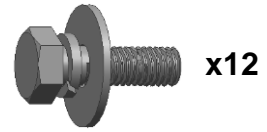
8mm x 30mm  
Hex Bolt



8mm Flat Washer



8mm Lock Washer



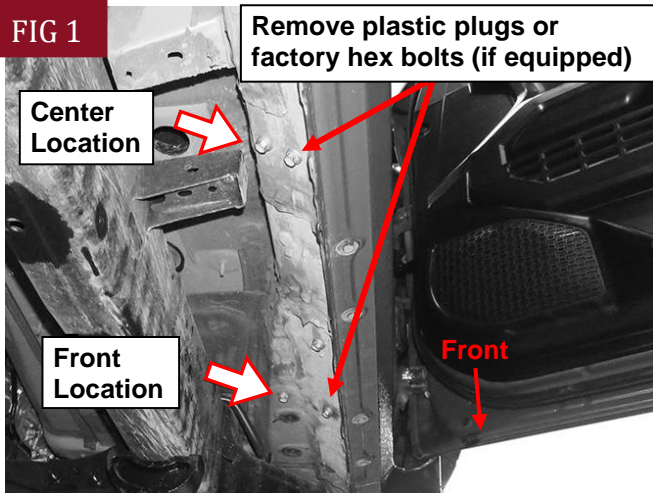
8mm x 25mm  
Combo Bolt

**PLEASE NOTE THAT THE FOLLOWING PICTURES ARE BASED ON THE PASSENGER SIDE INSTALLATION**

## STEP 1

Starting on the Passenger/Right front of the vehicle, remove the plastic plugs, (or hex bolts), covering the threaded holes in the body panel, (Fig 1).

FIG 1

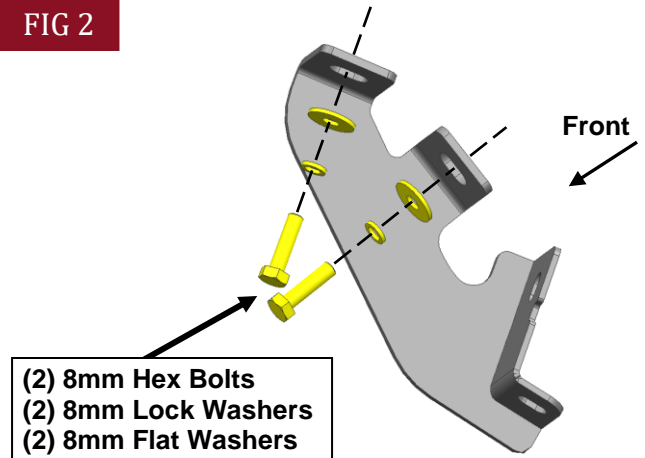


(Fig 1) Passenger/Right Front and Center mounting locations (arrows)

## STEP 2

Select the Passenger/Right Front Mounting Bracket. Attach the Bracket to the vehicle with (2) 8mm Hex Bolts, (2) 8mm Lock Washers and (2) 8mm Flat Washers, (Fig 2). Do not tighten hardware at this time.

FIG 2

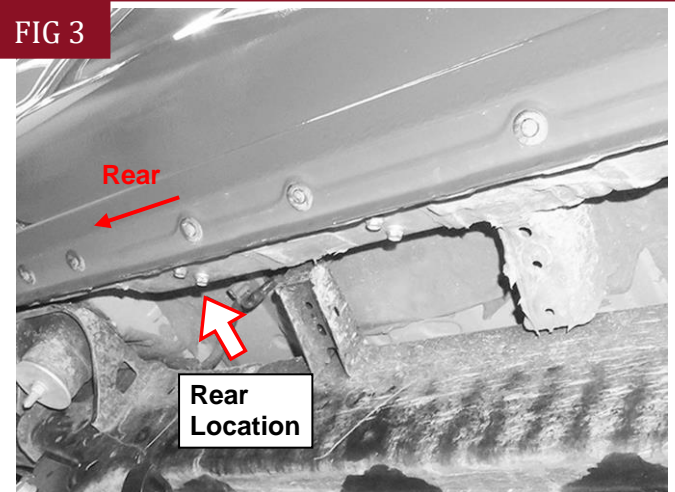


(Fig 2) Attach Passenger/Right Front Mounting Bracket to the front mounting location

## STEP 3

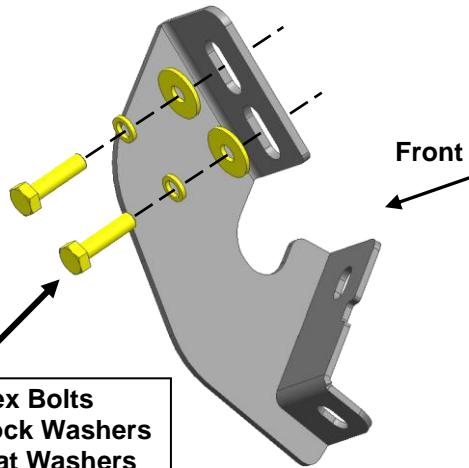
Move along the body panel to the center and rear mounting locations, (Figs 1 & 3). Select remaining (2) Passenger/Right Center/Rear Mounting Brackets. Repeat Step 2 to install the Mounting Bracket on center and rear mounting locations, (Fig 4). Do not tighten hardware.

FIG 3



(Fig 3) Passenger/Right Rear mounting location

FIG 4



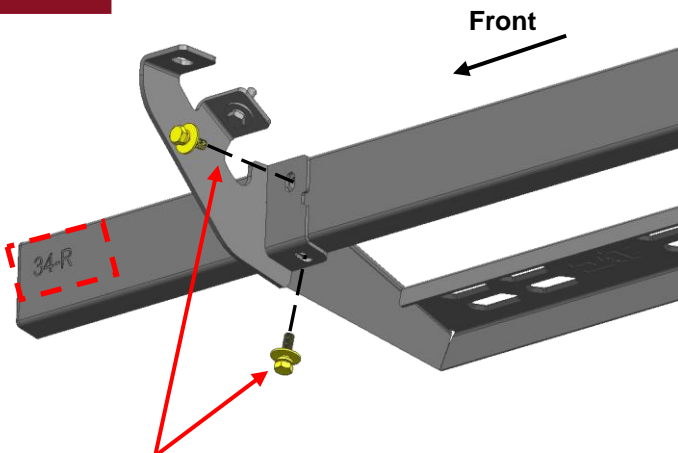
- (2) 8mm Hex Bolts
- (2) 8mm Lock Washers
- (2) 8mm Flat Washers

(Fig 4) Attach Passenger/Right Center/Rear Mounting Brackets to the center and rear mounting locations

## STEP 4

Select the Passenger/Right Running Board.  
**NOTE:** The Passenger/Right Running Board will have a “34-R” on the front. Carefully place Running Board on the brackets. **IMPORTANT:** Do not slide the Running Board front to back or damage to the finish may result. Attach Running Board to the (3) Mounting Brackets with (6) 8mm Combo Bolts, (Fig 5). Do not tighten hardware.

FIG 5



- (2) 8mm Combo Bolts

(Fig 5) Attach Passenger/Right Running Board to the Mounting Brackets

## STEP 5

Level and adjust the Running Board and fully tighten all hardware.

## STEP 6

Repeat **Steps 1—5** to attach the Driver/Left Running Board.

## STEP 7

Do periodic inspections to the installation to make sure that all hardware is secure and tight.

### Attention

To protect your investment, do not use any type of polish or wax that may contain abrasives that could damage the finish.

Mild soap may be used also to clean the Running Boards.