



SNIPER RUNNING BOARD

PART #: TAC-TDS9-032

FITS: 2022-Up Toyota Tundra CrewMax



60-120 min



Cutting Not Required



Drilling Not Required

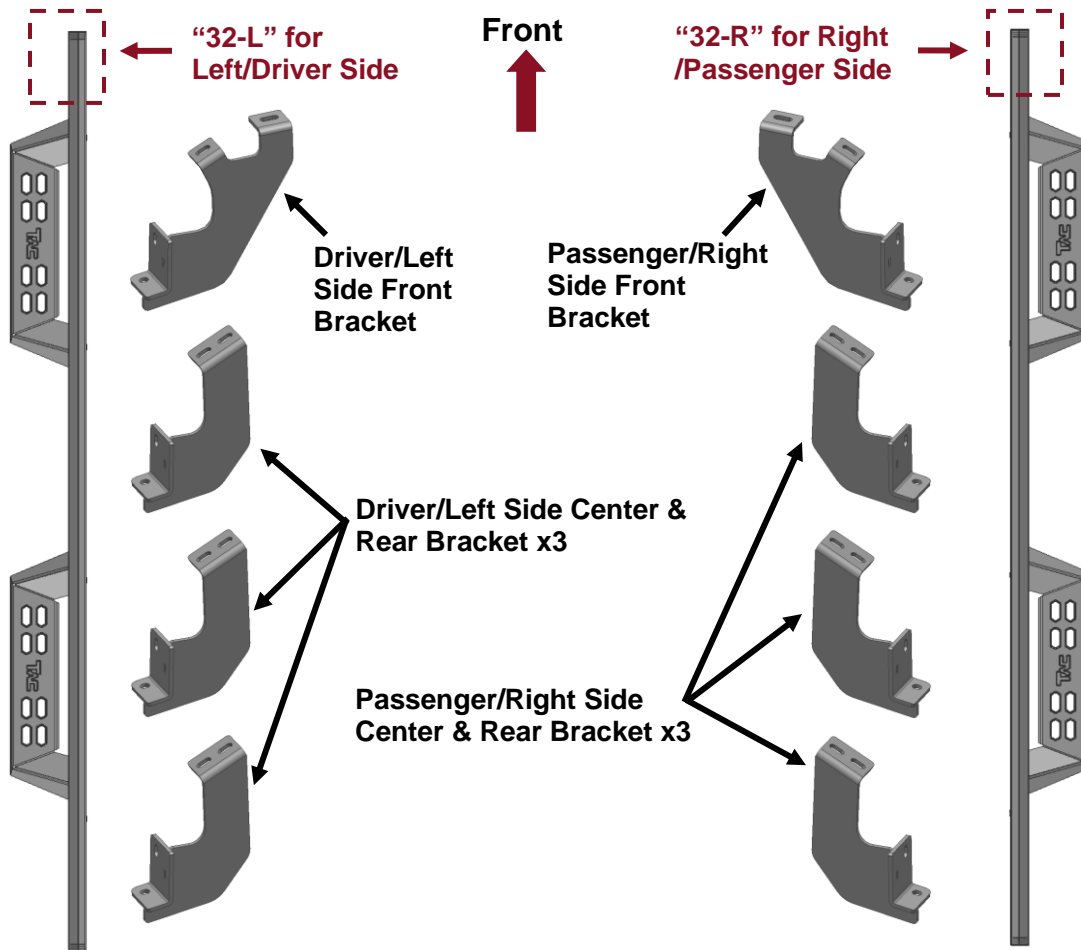
Torque & Tools

Fastener Size	Tightening Torque (ft-lbs)	Wrench Required		Allen Wrench Required	
			<input type="checkbox"/> 10mm		<input type="checkbox"/> 4mm
<input type="checkbox"/> 6mm	<input type="checkbox"/> 7-8.5		<input checked="" type="checkbox"/> 13mm		<input type="checkbox"/> 5mm
<input checked="" type="checkbox"/> 8mm	<input checked="" type="checkbox"/> 18-20		<input type="checkbox"/> 16mm		<input type="checkbox"/> 6mm
<input type="checkbox"/> 10mm	<input type="checkbox"/> 35-40		<input type="checkbox"/> 18mm		<input type="checkbox"/> 8mm
<input type="checkbox"/> 12mm	<input type="checkbox"/> 60-70				

BEFORE INSTALLATION

REMOVE CONTENTS FROM BOX. VERIFY ALL PARTS ARE PRESENT. READ INSTRUCTIONS CAREFULLY BEFORE STARTING INSTALLATION. ASSISTANCE IS RECOMMENDED.

Part List





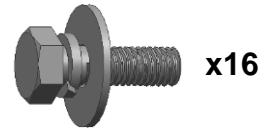
8mm x 30mm
Hex Bolt



8mm Flat Washer



8mm Lock Washer



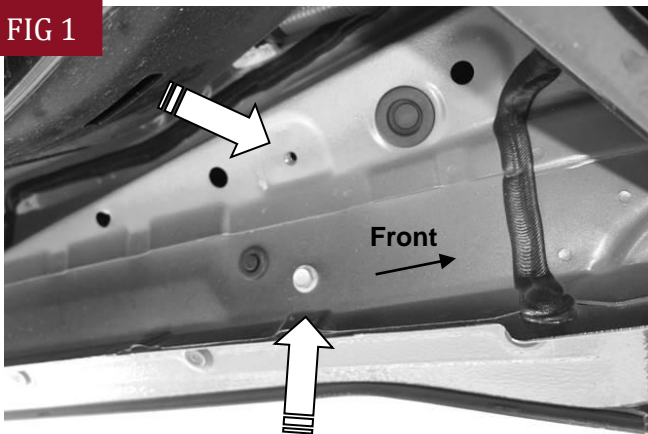
8mm x 25mm
Combo Bolt

PLEASE NOTE THAT THE FOLLOWING PICTURES ARE BASED ON THE DRIVER SIDE INSTALLATION

STEP 1

Starting on the Driver/Left front of the vehicle, remove the plastic plugs or factory hex bolts covering the (2) threaded holes in the floor panel, (Fig 1).

FIG 1

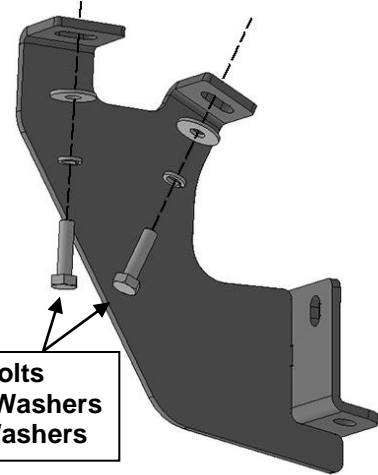


(Fig 1) Driver/Left side front mounting location.

STEP 2

Select Driver/Left Front Mounting Bracket, (Fig 2). Attach the Bracket to the panel with (2) 8mm Hex Bolts, (2) 8mm Lock Washers and (2) 8mm Flat Washers, (Fig 2). Do not tighten hardware.

FIG 2

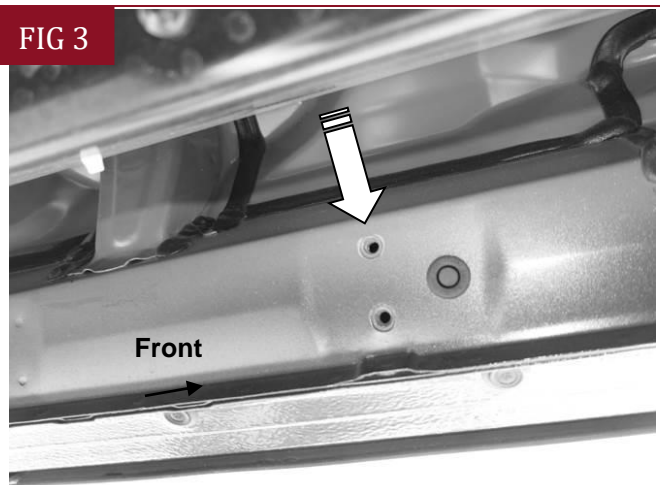


(Fig 2) Attach Driver/Left Front Mounting Bracket to the floor panel

STEP 3

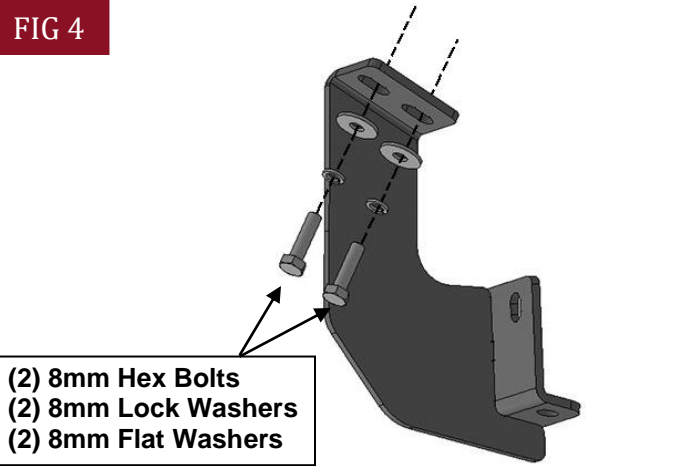
Next, move to the 2nd mounting location, (Fig 3). Select the Driver/Left Center/Rear Mounting Bracket, (Fig 4). **IMPORTANT: The Center and Rear Brackets are the same.** Repeat Step 2 to install the center Mounting Bracket, (Fig 4).

FIG 3



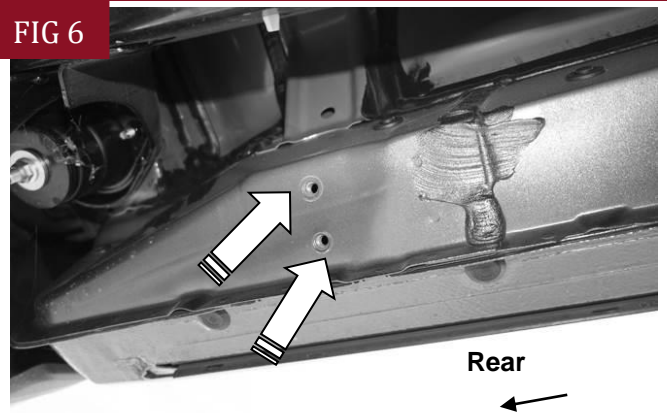
(Fig 3) Driver/left side 2nd mounting location

FIG 4



(Fig 4) Attach Driver/Left Center & Rear Mounting Bracket to the floor panel

FIG 6

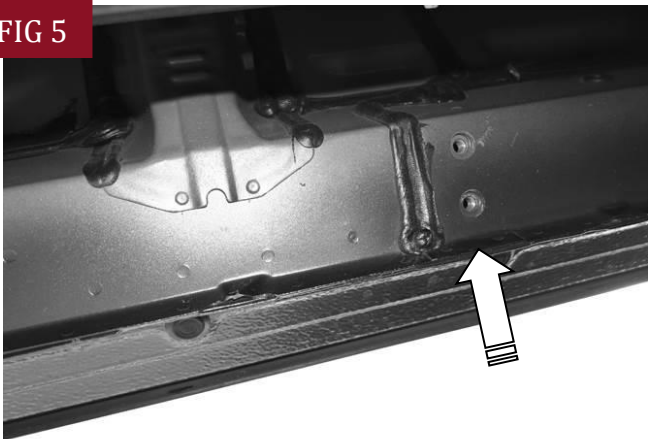


(Fig 6) Driver/left side 4th mounting location

STEP 4

Move along to the 3rd mounting location, (Fig 5). Repeat **Step 2** to install Driver/Left Center/Rear Mounting Bracket on 3rd mounting location.

FIG 5



(Fig 5) Driver/left side 3rd mounting location

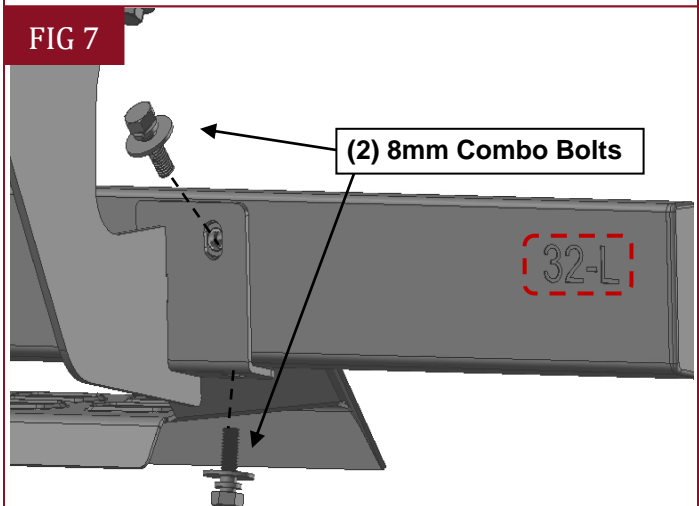
STEP 5

Continue to the last, 4th, mounting location at the back of the cab, (Fig 6). Repeat **Step 2** to install the Driver/Left Center/Rear Mounting Bracket on rear mounting location.

STEP 6

Select the Driver/Left Running Board. **NOTE: The Driver/Left Running Board will have a "32-L" on the front.** Carefully place Running Board on the brackets. Attach Running Board to the Mounting Brackets with (8) 8mm Combo Bolts, (Fig 7). Do not tighten hardware.

FIG 7



(Fig 7) Attach Running Board to the Mounting Brackets

STEP 7

Level and adjust the Driver/Left Running Board as desired and tighten all hardware.

STEP 8

Repeat **Steps 1—7** to attach the Passenger/Right Running Board.

STEP 9

Do periodic inspections to the installation to make sure that all hardware is secure and tight.

Attention

To protect your investment, do not use any type of polish or wax that may contain abrasives that could damage the finish.

Mild soap may be used also to clean the Running Boards.