



SNIPER RUNNING BOARD

PART #: TAC-TDS9-031

FITS: 2022-Up Toyota Tundra Double Cab



60-120 min





Cutting Not Required



Drilling Not Required

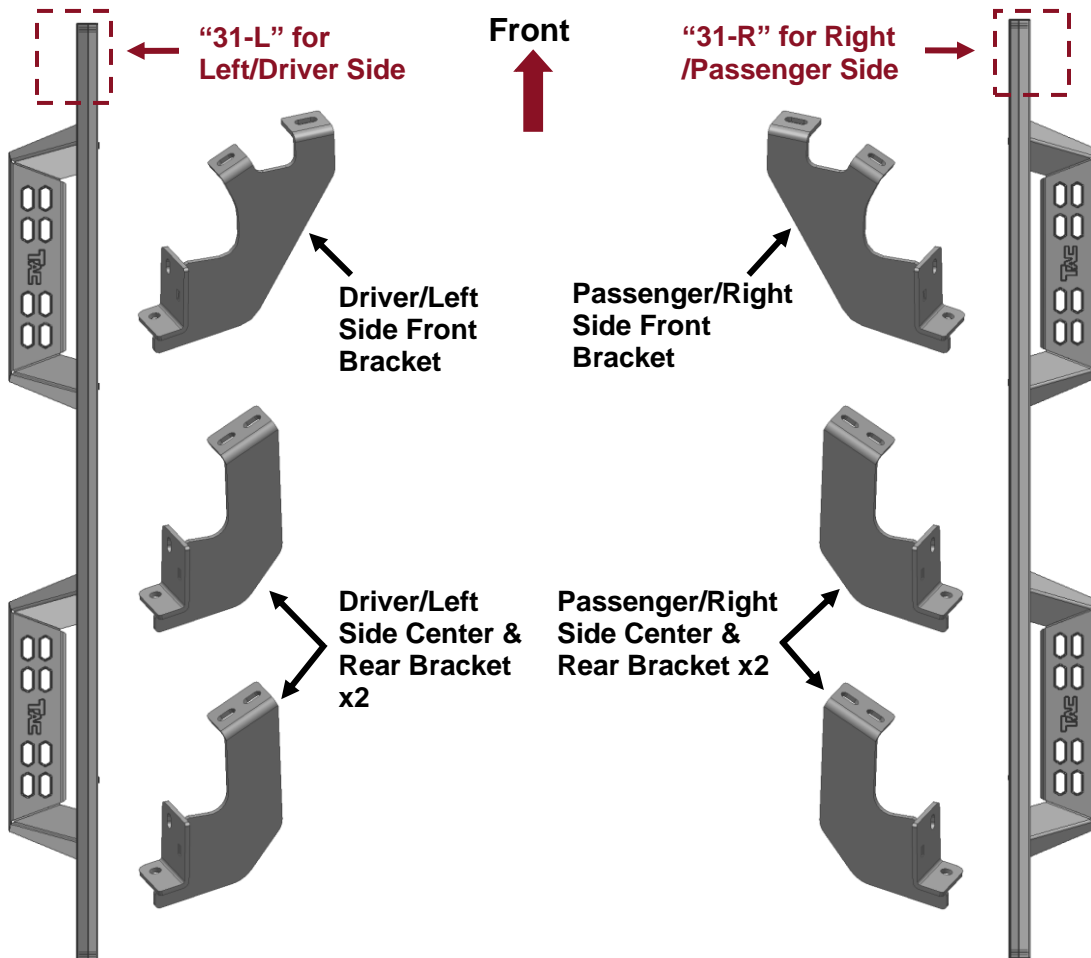
Torque & Tools

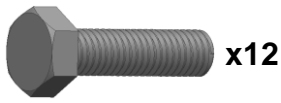
Fastener Size	Tightening Torque (ft-lbs)	Wrench Required	Allen Wrench Required	
				
<input type="checkbox"/> 6mm	<input type="checkbox"/> 7-8.5		<input type="checkbox"/> 10mm	<input type="checkbox"/> 4mm
<input checked="" type="checkbox"/> 8mm	<input checked="" type="checkbox"/> 18-20		<input checked="" type="checkbox"/> 13mm	<input type="checkbox"/> 5mm
<input type="checkbox"/> 10mm	<input type="checkbox"/> 35-40		<input type="checkbox"/> 16mm	<input type="checkbox"/> 6mm
<input type="checkbox"/> 12mm	<input type="checkbox"/> 60-70		<input type="checkbox"/> 18mm	<input type="checkbox"/> 8mm

BEFORE INSTALLATION

REMOVE CONTENTS FROM BOX. VERIFY ALL PARTS ARE PRESENT. READ INSTRUCTIONS CAREFULLY BEFORE STARTING INSTALLATION. ASSISTANCE IS RECOMMENDED.

Part List

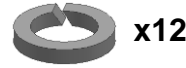




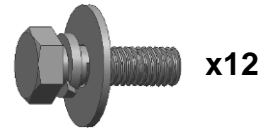
8mm x 30mm
Hex Bolt



8mm Flat Washer



8mm Lock Washer



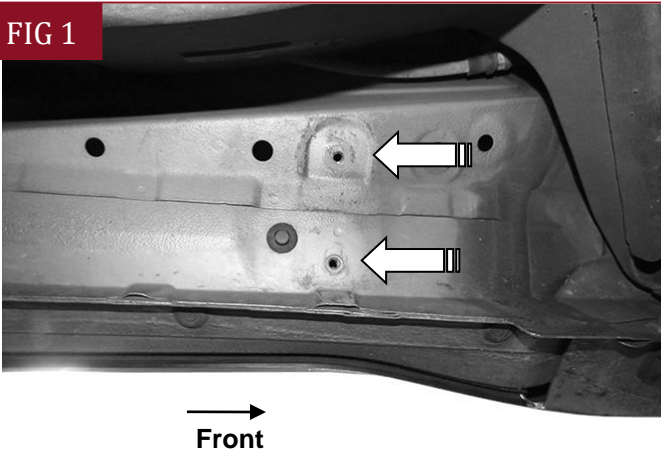
8mm x 25mm
Combo Bolt

PLEASE NOTE THAT THE FOLLOWING PICTURES ARE BASED ON THE DRIVER SIDE INSTALLATION

STEP 1

Starting on the Driver/Left front of the vehicle, remove the plastic plugs or factory hex bolts covering the (2) threaded holes in the floor panel, **(Fig 1)**.

FIG 1

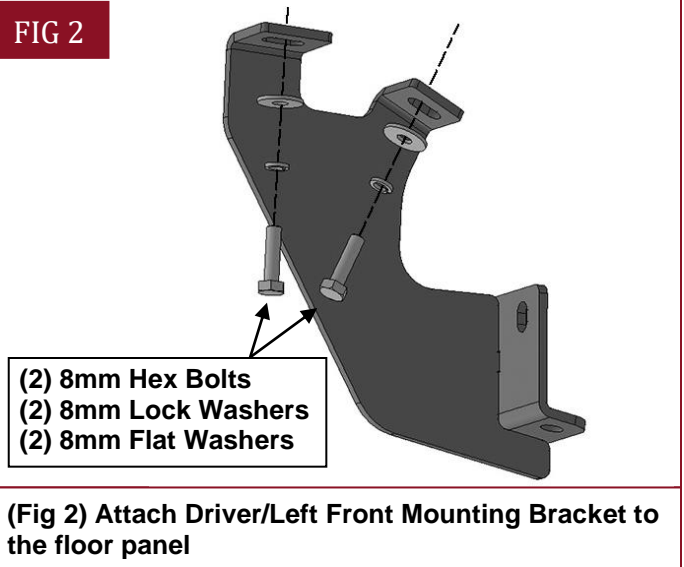


(Fig 1) Driver/Left front mounting location.

STEP 2

Select Driver/Left Front Mounting Bracket, **(Fig 2)**. Attach the Bracket to the panel with (2) 8mm Hex Bolts, (2) 8mm Lock Washers and (2) 8mm Flat Washers, **(Fig 2)**. Do not tighten hardware.

FIG 2



(Fig 2) Attach Driver/Left Front Mounting Bracket to the floor panel

STEP 3

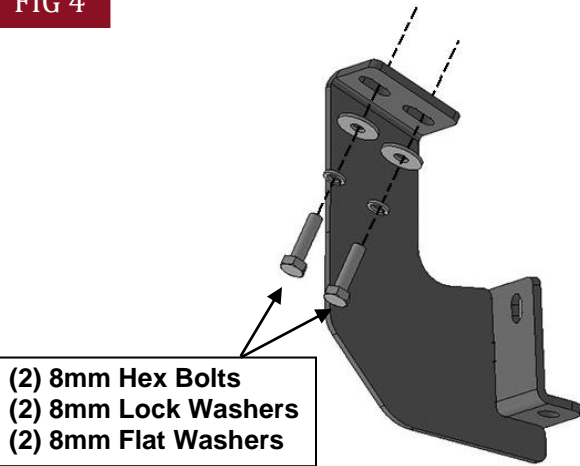
Next, move to the center mounting location, **(Fig 3)**. Select (1) Driver/Left Center & Rear Mounting Bracket. Repeat **Step 2** to attach the Bracket to the floor panel, **(Fig 4)**.

FIG 3



(Fig 3) Driver/Left center mounting location

FIG 4

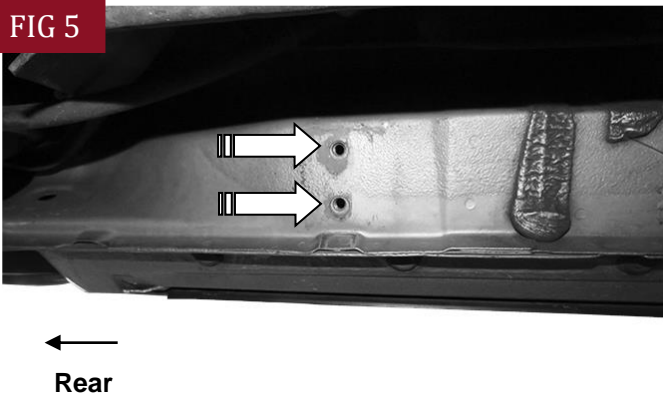


(Fig 4) Attach Driver/Left Center & Rear Mounting Bracket to the floor panel

STEP 4

Continue to the rear mounting location, (Fig 5). Repeat **Step 2** to attach (1) Driver/Left Center & Rear Mounting Bracket to the rear mounting locations.

FIG 5



(Fig 5) Driver/Left rear mounting location

Attention

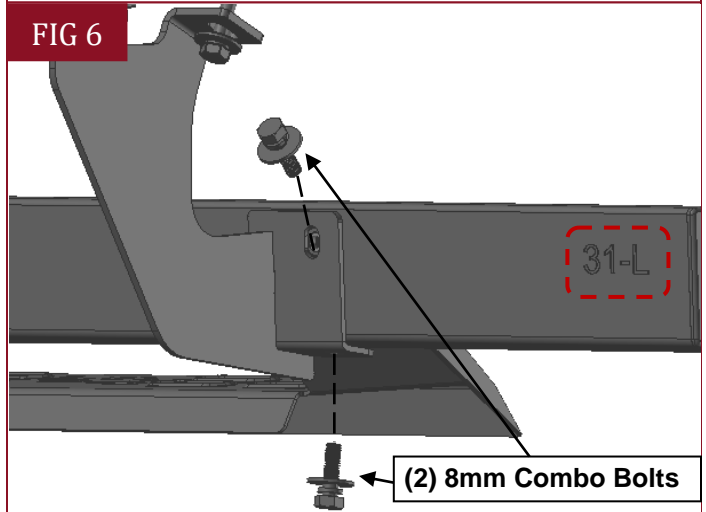
To protect your investment, do not use any type of polish or wax that may contain abrasives that could damage the finish.

Mild soap may be used also to clean the Running Boards.

STEP 5

Select the Driver/Left Running Board. **NOTE: The Driver/Left Running Board will have a "31-L" on the front.** Carefully place Running Board on the brackets. Attach Running Board to the Mounting Brackets with (6) 8mm Combo Bolts, (Fig 6). Do not tighten hardware.

FIG 6



(Fig 6) Attach Driver/Left Running Board to the rear faces of the Mounting Brackets

STEP 6

Level and adjust the Running Board and fully tighten all hardware.

STEP 7

Repeat **Steps 1—6** to attach the Passenger/Right Running Board.

STEP 8

Do periodic inspections to the installation to make sure that all hardware is secure and tight.