



# SNIPER RUNNING BOARD

PART #: TAC-TDS9-030

**FITS:** 2010-Up Toyota 4Runner

**Exclude:** 2010-2013 4Runner **SR5** Models  
 2010-Up 4Runner **Limited** Models  
 2020-2021 4Runner **Nightshade Edition** Models  
 2022-Up 4Runner **TRD Sport** Models



60-120 min



Cutting Not Required



Drilling Not Required

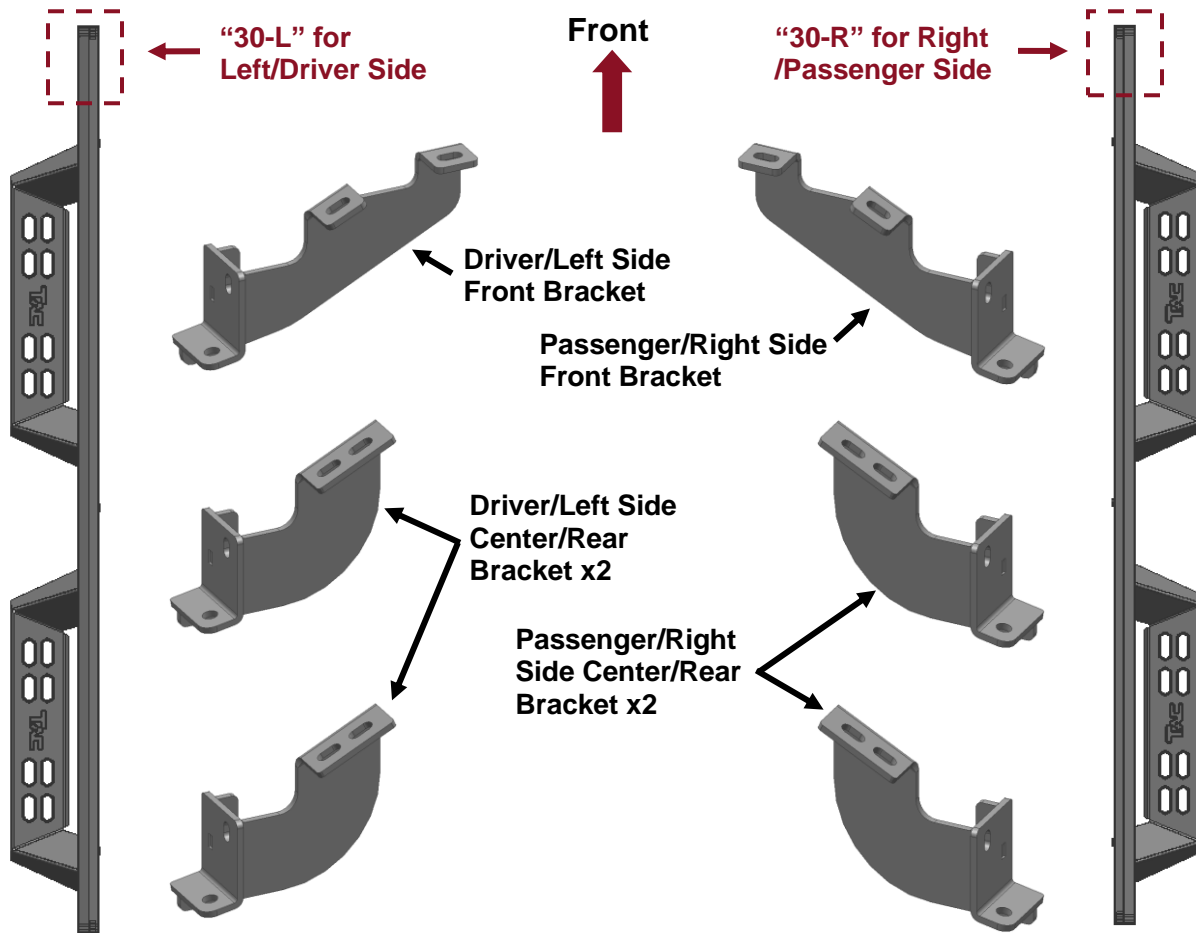
## Torque & Tools

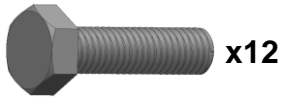
| Fastener Size | Tightening Torque (ft-lbs) | Wrench Required   | Allen Wrench Required  |
|---------------|----------------------------|---|--|
| 6mm           | 7-8.5                      | <input type="checkbox"/> 10mm<br><input checked="" type="checkbox"/> 13mm<br><input type="checkbox"/> 16mm<br><input type="checkbox"/> 18mm | <input type="checkbox"/> 4mm<br><input type="checkbox"/> 5mm<br><input type="checkbox"/> 6mm<br><input type="checkbox"/> 8mm |
| 8mm           | 18-20                      |   |  |
| 10mm          | 35-40                      |   |  |
| 12mm          | 60-70                      |   |  |

## BEFORE INSTALLATION

REMOVE CONTENTS FROM BOX. VERIFY ALL PARTS ARE PRESENT. READ INSTRUCTIONS CAREFULLY BEFORE STARTING INSTALLATION. ASSISTANCE IS RECOMMENDED.

## Part List





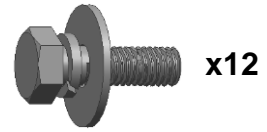
8mm x 30mm  
Hex Bolt



8mm Flat Washer



8mm Lock Washer



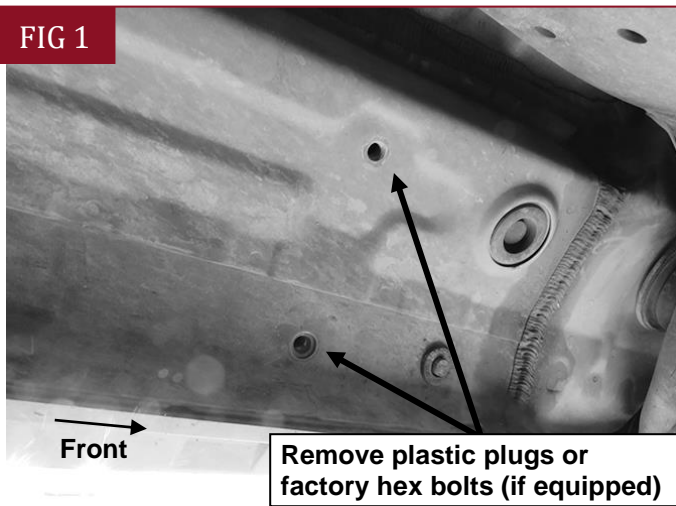
8mm x 25mm  
Combo Bolt

**PLEASE NOTE THAT THE FOLLOWING PICTURES ARE BASED ON THE DRIVER SIDE INSTALLATION**

## STEP 1

Starting on the Driver/Left front of the vehicle, remove the plastic plugs, (or hex bolts), covering the threaded holes in the body panel, **(Fig 1)**.

**FIG 1**

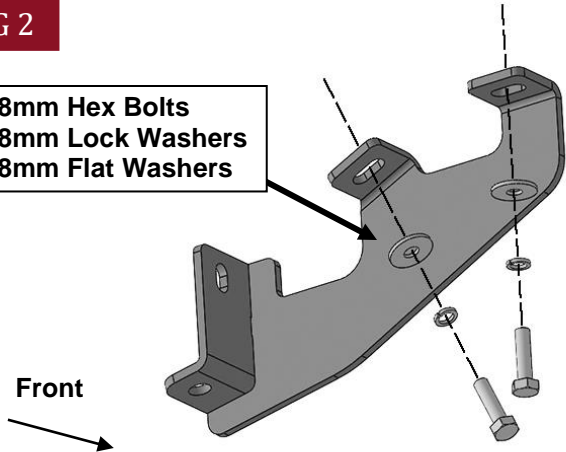


Remove plastic plugs or factory hex bolts (if equipped)

**(Fig 1) Driver/Left front mounting location**

**FIG 2**

(2) 8mm Hex Bolts  
(2) 8mm Lock Washers  
(2) 8mm Flat Washers



**(Fig 2) Attach Driver/Left Front Mounting Bracket to the front mounting location**

**FIG 3**



**(Fig 3) Example of Driver/Left Front Mounting Bracket attached to the front location**

## STEP 2

Select the Driver/Left Front Mounting Bracket. Attach the Bracket to the front mounting location with (2) 8mm Hex Bolts, (2) 8mm Lock Washers and (2) 8mm Flat Washers, **(Figs 2 & 3)**. Do not tighten hardware at this time.

## STEP 3

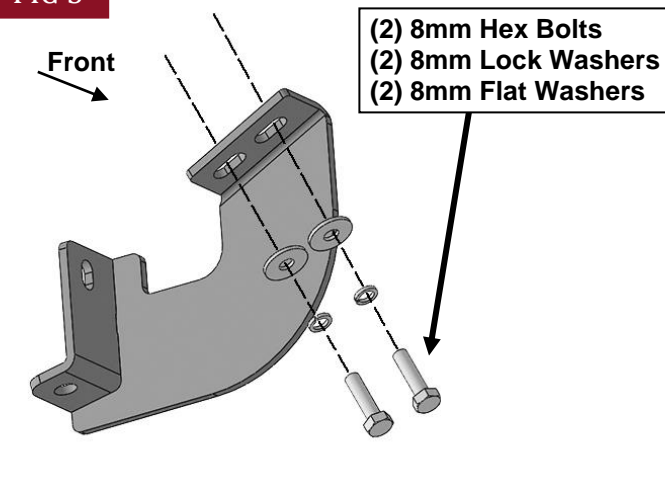
Move along the body panel to the center mounting location, (**Fig 4**). Select (1) Driver/Left Center/Rear Mounting Brackets. Attach the Mounting Bracket on center mounting location, (**Figs 5 & 6**). Do not tighten hardware.

FIG 4



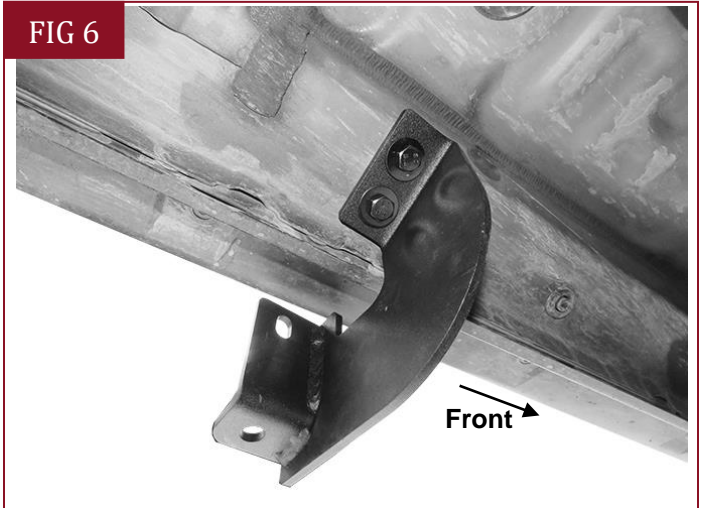
(Fig 4) Driver/Left center mounting location

FIG 5



(Fig 5) Attach (1) Driver/Left Center/Rear Mounting Bracket to the center location

FIG 6

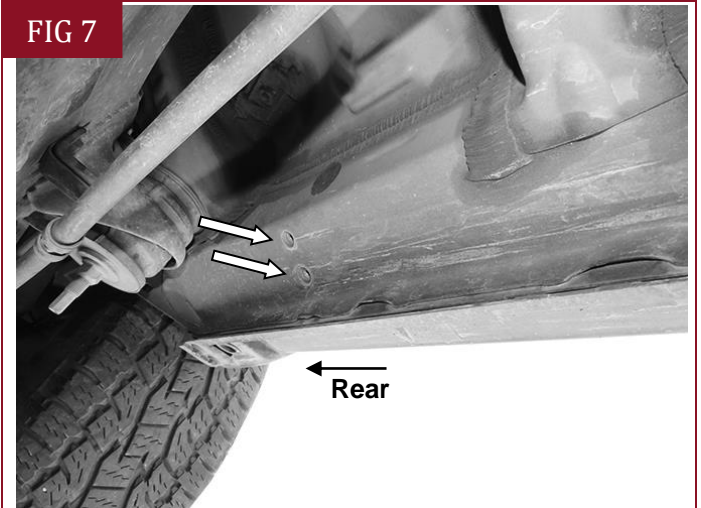


(Fig 6) Example of Driver/Left Center/Rear Mounting Bracket attached to the center location

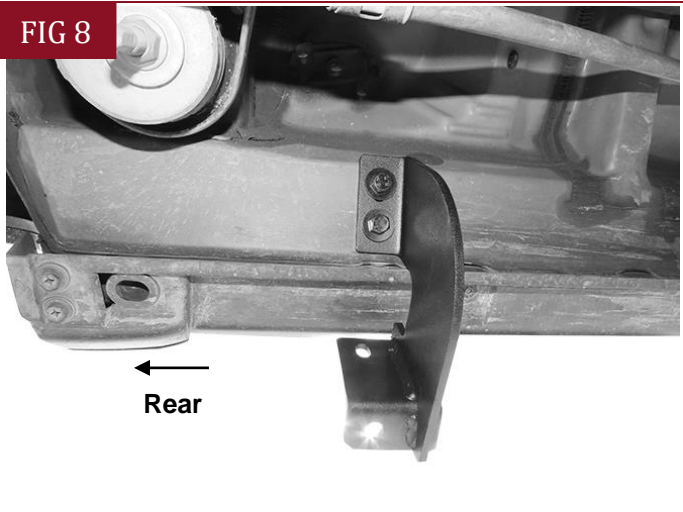
## STEP 4

Repeat **Step 3** to attach the remaining (1) Driver/Left Center/Rear Mounting Bracket to the rear location, (**Figs 7 & 8**). Do not tighten hardware.

FIG 7



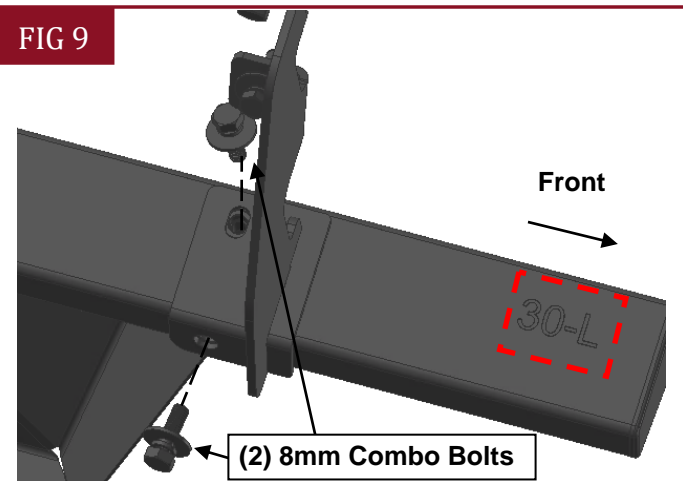
(Fig 7) Diver/Left rear mounting location



(Fig 8) Example of Driver/Left Center/Rear Mounting Bracket attached to the rear location

## STEP 5

Select the Driver/Left Running Board. **NOTE:** The Driver/Left Running Board will have a “30-L” on the front. Carefully place Running Board on the brackets. **IMPORTANT:** Do not slide the Running Board front to back or damage to the finish may result. Attach Running Board to the (3) Mounting Brackets with (6) 8mm Combo Bolts, (Fig 9). Do not tighten hardware.



(Fig 9) Attach Driver/Left Running Board to the Mounting Brackets

## STEP 6

Level and adjust the Running Board and fully tighten all hardware.

## STEP 7

Repeat **Steps 1—6** to attach the Passenger/Right Running Board.

## STEP 8

Do periodic inspections to the installation to make sure that all hardware is secure and tight.

### Attention

To protect your investment, do not use any type of polish or wax that may contain abrasives that could damage the finish.

Mild soap may be used also to clean the Running Boards.