



COBRA RUNNING BOARD

PART #: TAC-NWB-012

FITS: 13-21 Nissan Pathfinder

Exclude: Models with welcome lighting



60-120 min



Cutting Not Required



Drilling Not Required

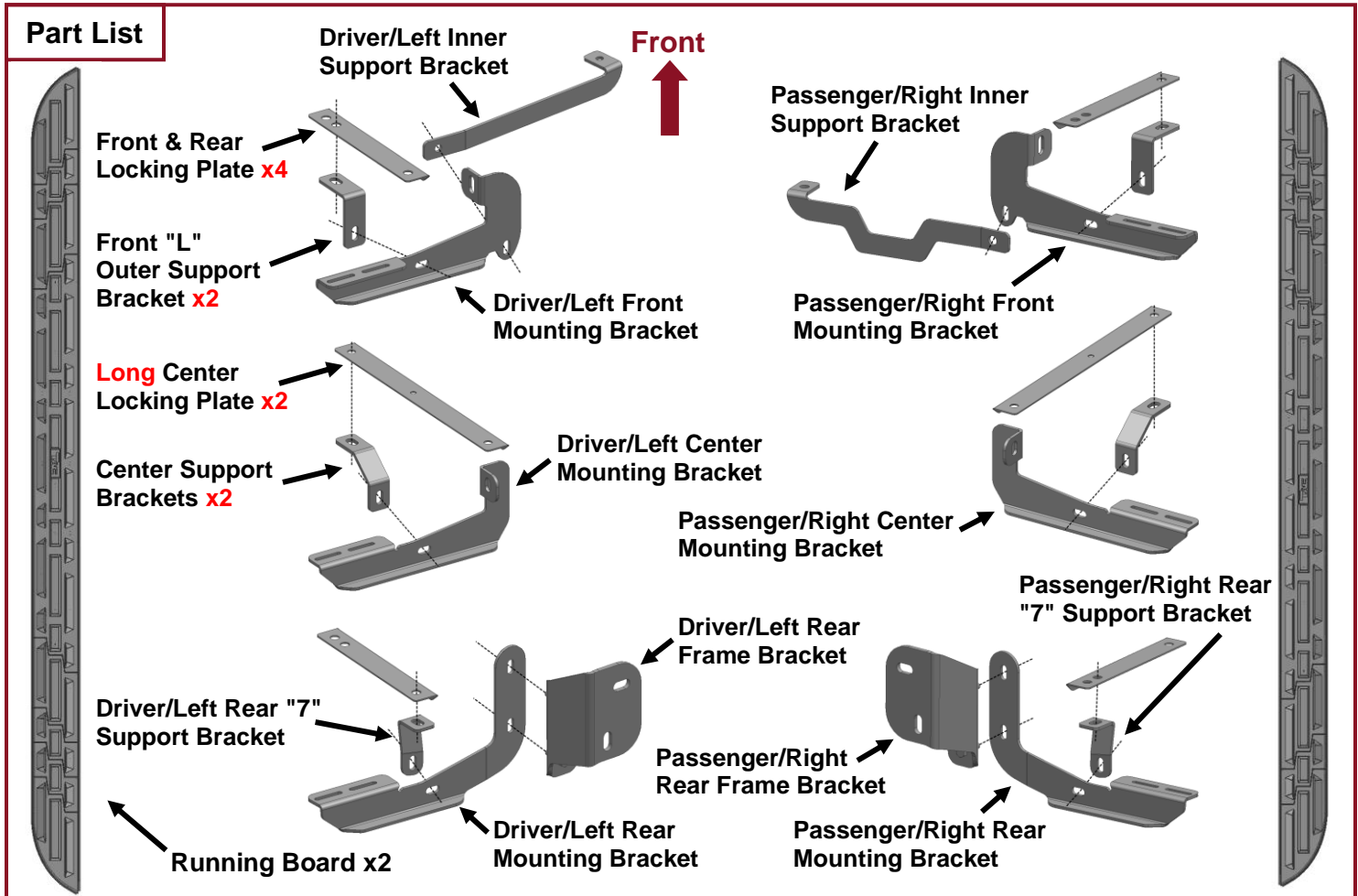
Torque & Tools

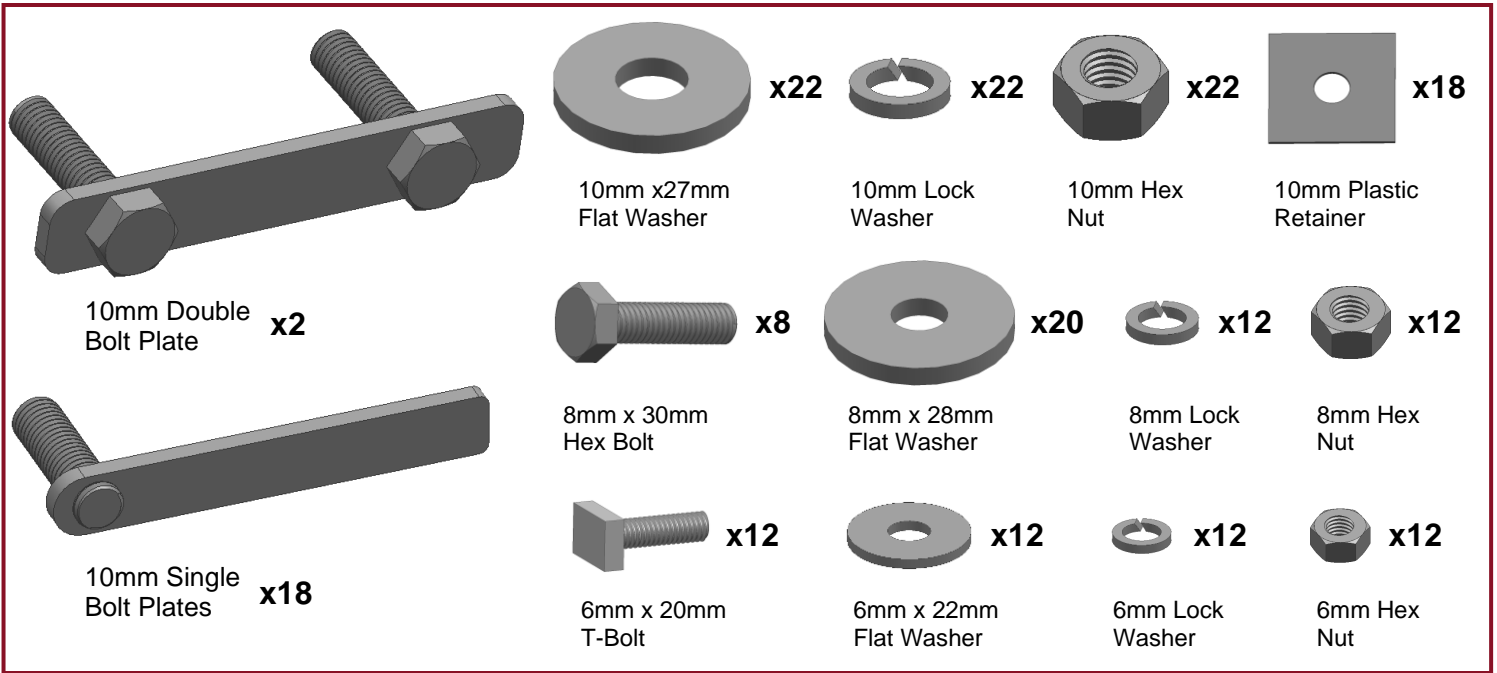
Fastener Size	Tightening Torque (ft-lbs)	Wrench Required		Allen Wrench Included	
			<input checked="" type="checkbox"/> 10mm <input checked="" type="checkbox"/> 13mm <input checked="" type="checkbox"/> 16mm <input type="checkbox"/> 18mm		<input type="checkbox"/> 4mm <input type="checkbox"/> 5mm <input type="checkbox"/> 6mm <input type="checkbox"/> 8mm
<input checked="" type="checkbox"/> 6mm	<input checked="" type="checkbox"/> 7-8.5				
<input checked="" type="checkbox"/> 8mm	<input checked="" type="checkbox"/> 18-20				
<input checked="" type="checkbox"/> 10mm	<input checked="" type="checkbox"/> 35-40				
<input type="checkbox"/> 12mm	<input type="checkbox"/> 60-70				

BEFORE INSTALLATION

REMOVE CONTENTS FROM BOX. VERIFY ALL PARTS ARE PRESENT. READ INSTRUCTIONS CAREFULLY BEFORE STARTING INSTALLATION. ASSISTANCE IS RECOMMENDED.

Part List



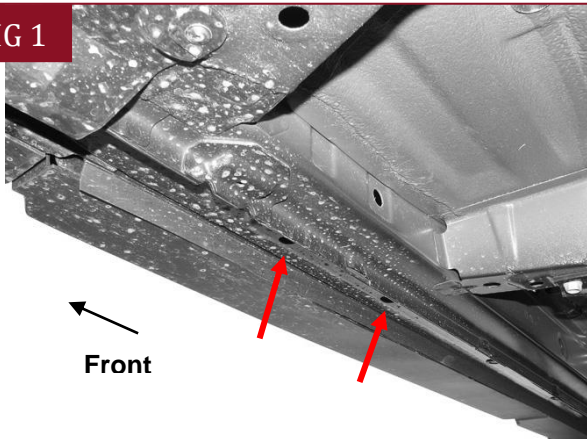


PLEASE NOTE THAT THE FOLLOWING PICTURES ARE BASED ON THE PASSENGER SIDE INSTALLATION

STEP 1

Start installation on the passenger side of the vehicle. Locate and remove the (2) rubber plugs in the bottom of the outer frame channel closest to the front wheel opening, (Fig 1).

FIG 1

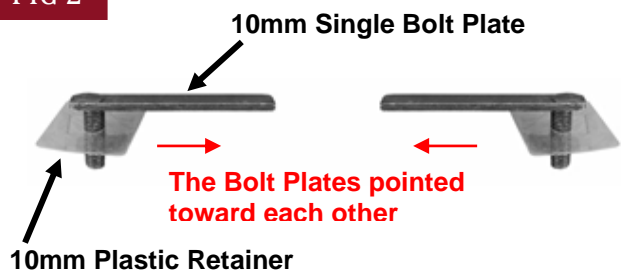


(Fig 1) Passenger side front mounting location pictured from below. Remove (2) rubber plugs from factory holes (Arrow)

STEP 2

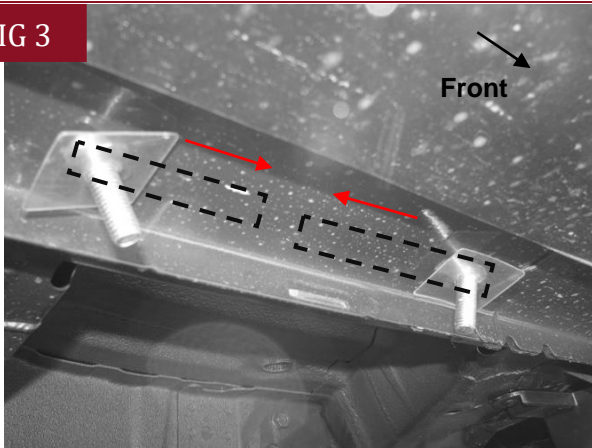
Select (2) 10mm Single Bolt Plates and (2) 10mm Plastic Retainers, (Fig 2). Partially thread the Retainers onto the Bolt Plates. **NOTE: The Plastic Retainer is designed to help hold the Bolt Plate in place during Bracket installation.** Insert (1) Bolt Plate into the first-forward hole with the plate pointed toward the rear of the vehicle, (Figs 2-3). Thread the Plastic Retainer down tight against the body panel. Repeat to install the next Bolt Plate into the second hole with the Plate pointed toward the front of the vehicle, (Figs 2-3). **IMPORTANT: The Plates on the (2) Bolt Plates must be pointed toward each other, (Fig 2).**

FIG 2



(Fig 2) Insert (2)10mm Single Bolt Plates to the body panel on front mounting location

FIG 3

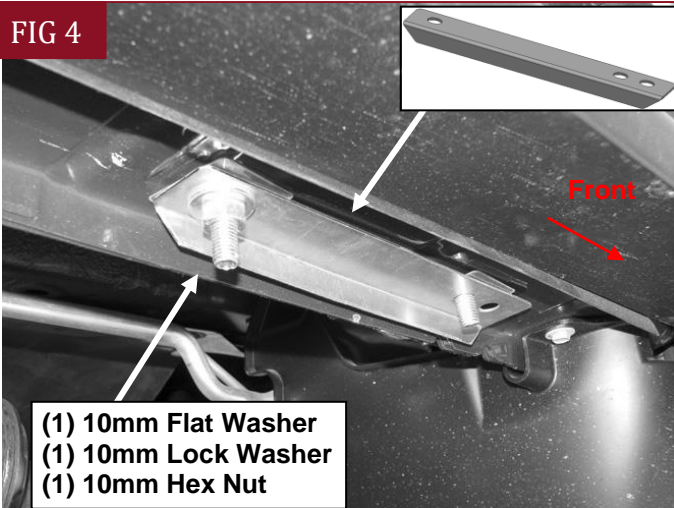


(Fig 3) The 10mm Single Bolt Plates pointed toward each other

STEP 3

Select (1) Front & Rear Locking Plate, (Fig 4). Slide the Locking Plate over the (2) Bolt Plates with the bent side toward the pinch weld. Attach the Lock Plate to the rear Bolt Plate only with (1) 10mm Flat Washer, (1) 10mm Lock Washer and (1) 10mm Hex Nut, (Fig 4). Tighten the Hex Nut at this time.

FIG 4



(Fig 4) Attach (1) Front & Rear Locking Plate to the Bolt Plates

STEP 4

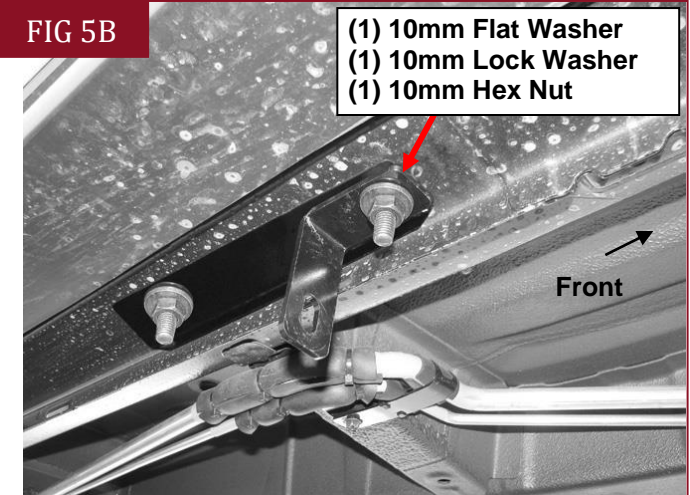
Select (1) Front "L" Outer Support Bracket, (Fig 5A). Attach the shorter leg on the Support Bracket to the front Bolt Plate with (1) 10mm Flat Washer, (1) 10mm Lock Washer and (1) 10mm Hex Nut, (Fig 5B). Leave hardware loose at this time.

FIG 5A



(Fig 5A) Side view of Outer Support Brackets

FIG 5B



(Fig 5B) Attach the Front Outer "L" Support Bracket to the front Bolt Plate and Locking Plate

STEP 5

Locate the round hole in the back of the outer frame channel directly behind the previously installed Bolt Plates, **(Fig 6)**. Remove the rubber plug. Select (1) 10mm Bolt Plate and (1) 10mm Plastic Retainer. Partially thread the Retainer onto the Bolt Plate. Insert the Bolt Plate into the hole and tighten the Retainer as previously described, **(Fig 6)**. **IMPORTANT: Mounting areas may be covered with undercoating. Scrape excess undercoating from body panel at all mounting locations. Brackets must mount flat against body panels.**

FIG 6



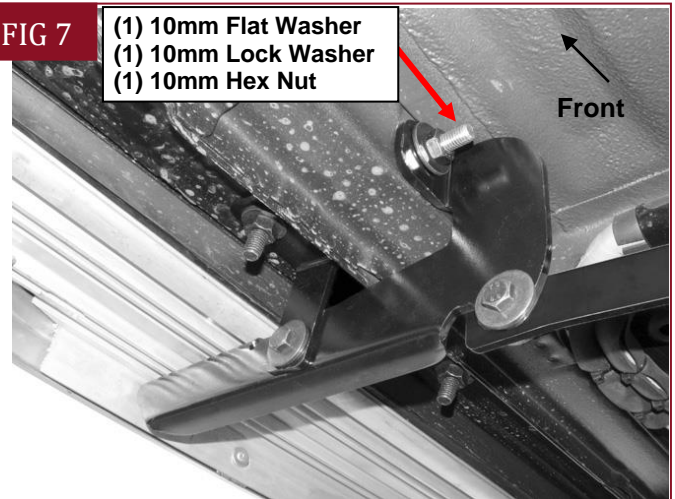
(Fig 6) Insert (1) 10mm Single Bolt Plates to the rocker panel

STEP 6

Select the passenger side Front Mounting Bracket. Attach the Bracket to the Bolt Plate in the back of the frame channel first with (1) 10mm Flat Washer, (1) 10mm Lock Washer and (1) 10mm Hex Nut, **(Fig 7)**. Attach the Mounting Bracket to the back of the "L" Support Bracket with (1) 8mm Hex Bolt, (2) 8mm Flat Washers, (1) 8mm Lock Washer and (1) 8mm Hex Nut, **(Fig 8)**. Do not tighten hardware at this time.

FIG 7

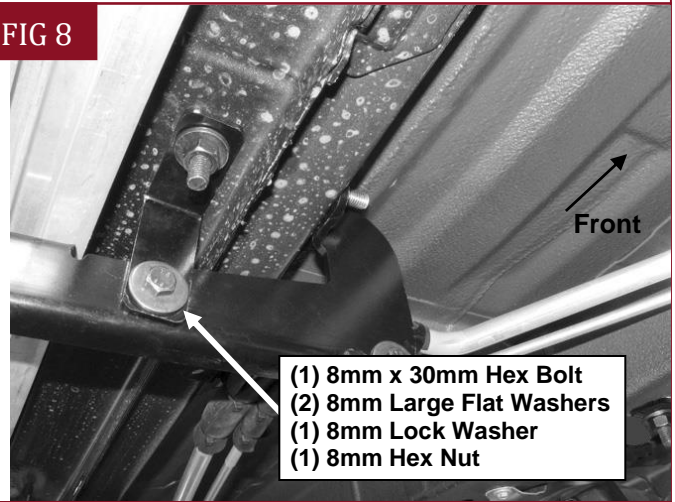
(1) 10mm Flat Washer
(1) 10mm Lock Washer
(1) 10mm Hex Nut



(Fig 7) Attach the Driver Side Front Mounting Bracket to the 10mm Single Bolt Plate

FIG 8

(1) 8mm x 30mm Hex Bolt
(2) 8mm Large Flat Washers
(1) 8mm Lock Washer
(1) 8mm Hex Nut



(Fig 8) Attach the Driver Side Front Mounting Board to the Outer "L" Support Bracket

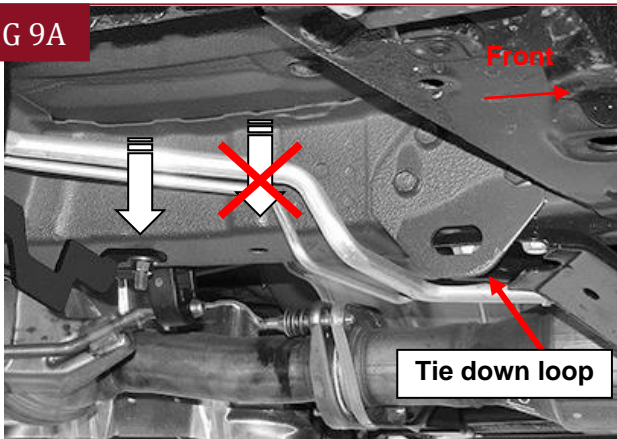
STEP 7

Next, locate the factory holes in the bottom of the inner frame channel directly behind the tie down loop where the frame is joined together. Determine the correct factory hole to use:

Passenger side installation: Use the 2nd factory hole **back** from the loop, **(Fig 9A)**.

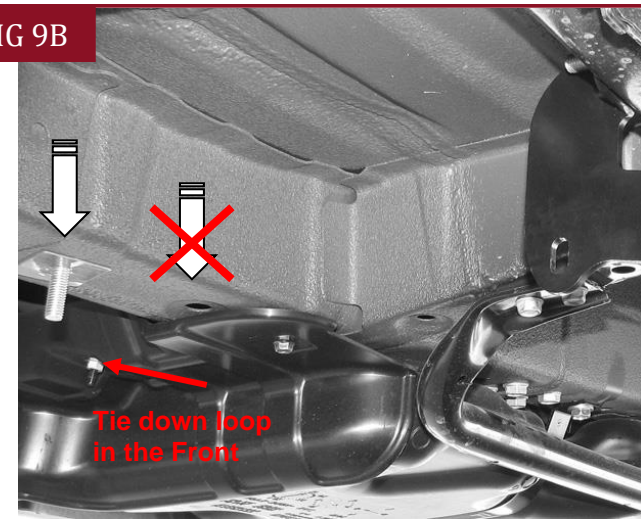
Driver side installation: Use the factory hole **closest** to the loop, **(Fig 9B)**.

FIG 9A



(Fig 9A) **Passenger/right** inner location pictured. Install Bolt Plate in 2nd hole behind tie down loop

FIG 9B

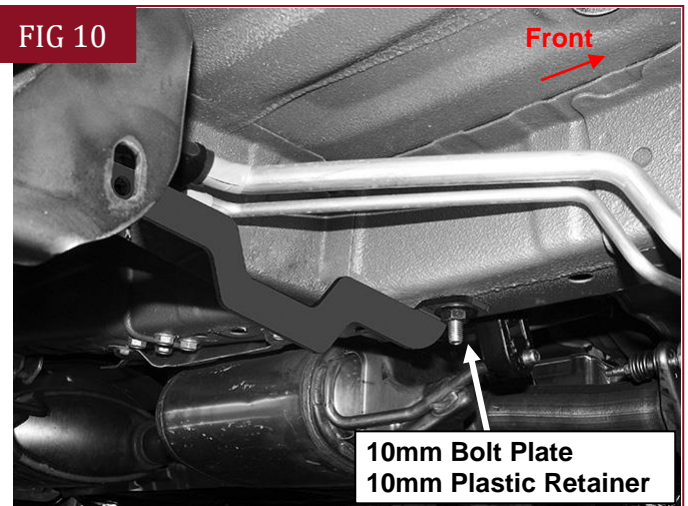


(Fig 9B) **Driver/Left** inner location pictured. Install Bolt Plate in forward hole closest to tie down loop

STEP 8

Select (1) 10mm Single Bolt Plate and (1) 10mm Plastic Retainer. Partially thread the Retainer onto the Bolt Plate. Insert the Bolt Plate into the correct factory hole in the frame channel as identified in **Step 7**, (Fig 9B & 10). **IMPORTANT:** The driver side and passenger side Front Inner Support Brackets do not install in the same manner.

FIG 10



(Fig 10) **Passenger/Right** inner location pictured.

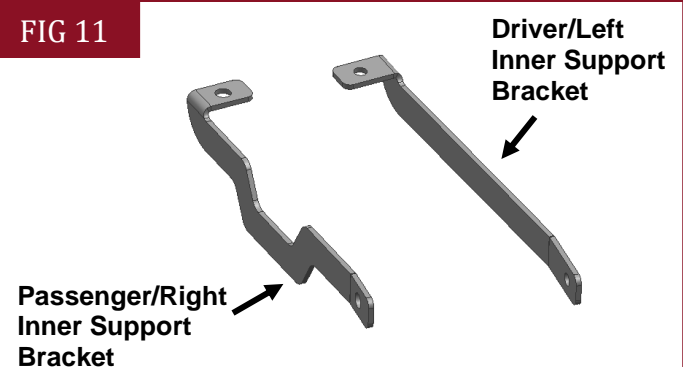
STEP 9

Select the correct Inner Front Support Bracket, (Fig 11). Attach the 90-degree bent end of the Support Bracket to the Bolt Plate in the frame channel with (1) 10mm Flat Washer, (1) 10mm Lock Washer and (1) 10mm Hex Nut, (Fig 12). Bolt the outer end of the Support Bracket to the front Mounting Bracket with (1) 8mm Hex Bolt, (2) 8mm Flat Washers, (1) 8mm Lock Washer and (1) 8mm Hex Nut, (Fig 12). Do not tighten hardware at this time.

Attach the passenger side Inner Support Bracket to the **back** of the Front Mounting Bracket, (Fig 12).

Attach the driver side inner Support Bracket to the **front** of the Front Mounting Bracket, (Fig 13).

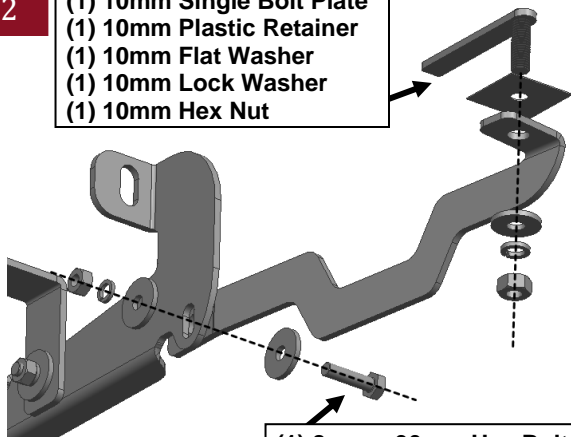
FIG 11



(Fig 11) Front Inner Support Brackets pictured from above

FIG 12

- (1) 10mm Single Bolt Plate
- (1) 10mm Plastic Retainer
- (1) 10mm Flat Washer
- (1) 10mm Lock Washer
- (1) 10mm Hex Nut



← **Front**

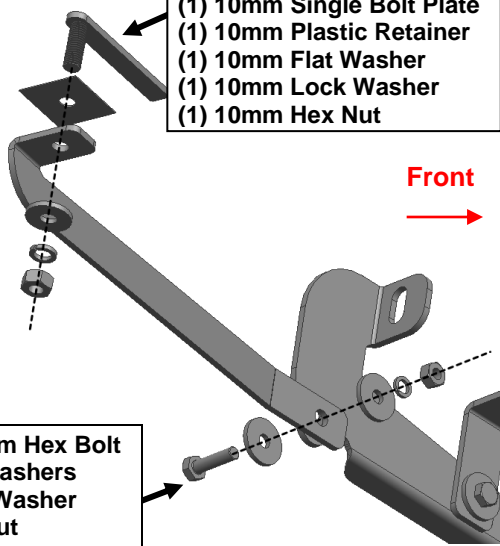
- (1) 8mm x 30mm Hex Bolt
- (2) 8mm Flat Washers
- (1) 8mm Lock Washer
- (1) 8mm Hex Nut

(Fig 12) Passenger side Inner Front Support Bracket pictured.

NOTE: Bolt passenger side Support Bracket to back of Front Bracket.

FIG 13

- (1) 10mm Single Bolt Plate
- (1) 10mm Plastic Retainer
- (1) 10mm Flat Washer
- (1) 10mm Lock Washer
- (1) 10mm Hex Nut



→ **Front**

- (1) 8mm x 30mm Hex Bolt
- (2) 8mm Flat Washers
- (1) 8mm Lock Washer
- (1) 8mm Hex Nut

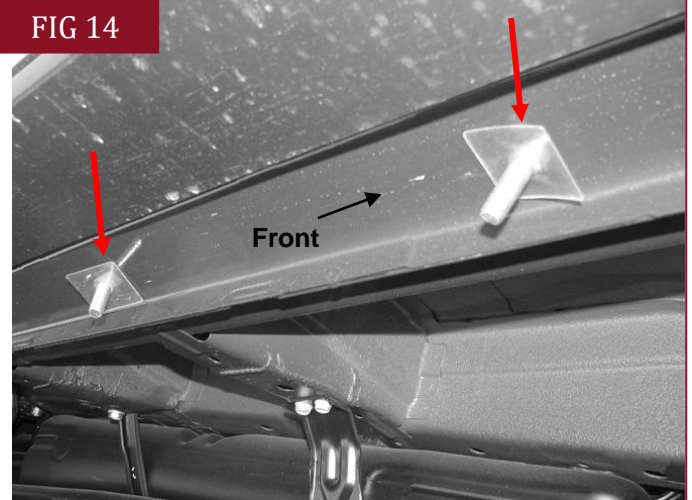
(Fig 13) Driver side Inner Front Support Bracket pictured.

NOTE: Bolt driver side Support Bracket to front of Front Bracket

STEP 10

Move along the side of the vehicle to approximately the center/back of the front door. Locate and remove the (2) rubber plugs from the bottom of the outer frame channel, (Fig 14). Repeat **Steps 1—3** to install the (2) 10mm Single Bolt Plates and (1) Long Center Locking Plate to the bottom of the frame channel, (Figs 14-15).

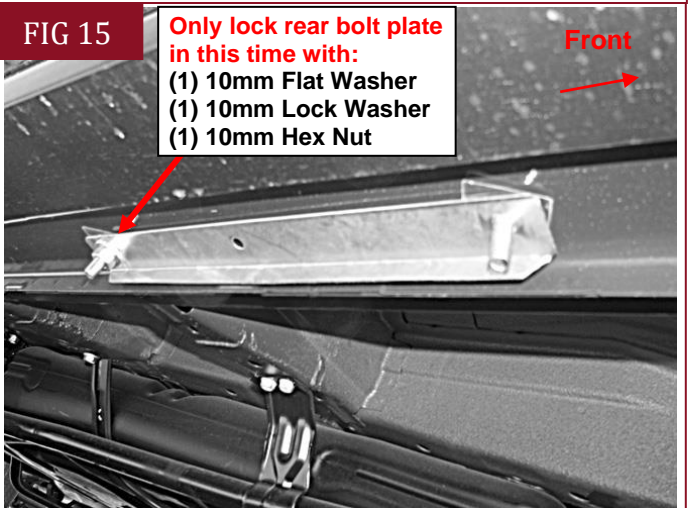
FIG 14



(Fig 14) Attach (2) Single Bolt Plates to the passenger side center mounting holes

FIG 15

- Only lock rear bolt plate in this time with:**
- (1) 10mm Flat Washer
 - (1) 10mm Lock Washer
 - (1) 10mm Hex Nut



(Fig 15) Attach Center Locking Plate to the rear bolt plate

STEP 11

Locate the single hole in the back of the outer frame channel, **(Fig 16)**. Remove rubber plug if equipped. Select (1) 10mm Single Bolt Plate and (1) 10mm Plastic Retainer. Partially thread the Retainer onto the Bolt Plate. Insert the Bolt Plate into the hole in the back of the frame channel, **(Fig 16)**.

FIG 16

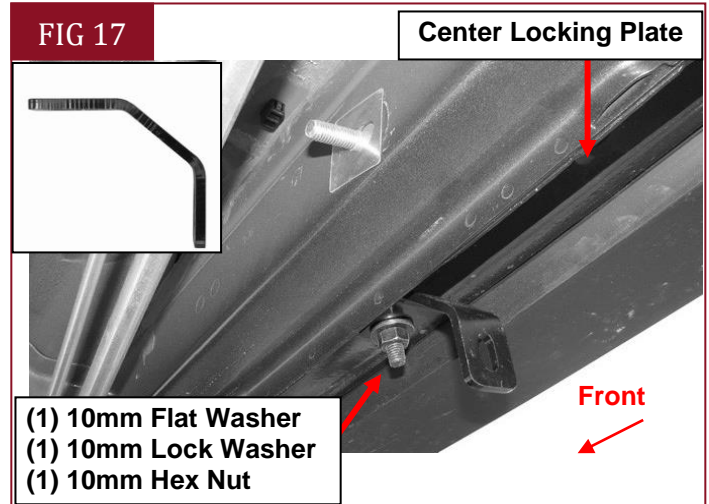


(Fig 16) Insert (1) 10mm Single Bolt Plates to the center mounting location on rocker panel

STEP 12

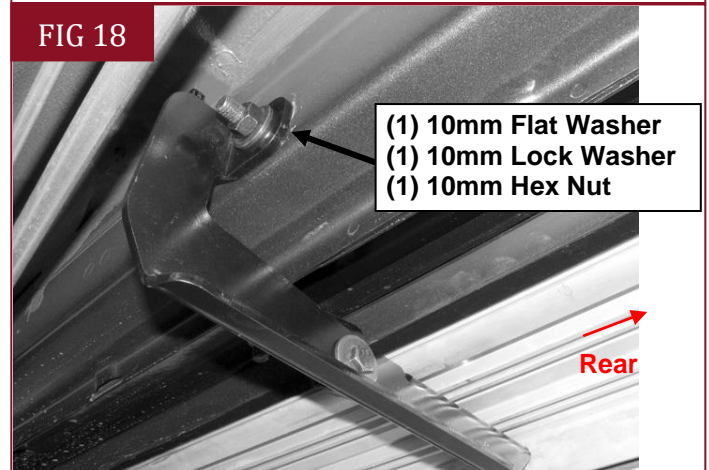
Select (1) Center Support Bracket, **(Fig 17)**. Attach the long end of the Support Bracket to the forward Bolt Plate in the frame channel with (1) 10mm Flat Washer, (1) 10mm Lock Washer and (1) 10mm Hex Nut, **(Fig 17)**. Select the passenger side Center Bracket. Attach the Bracket to the Bolt Plate in the back of the frame channel with (1) 10mm Flat Washer, (1) 10mm Lock Washer and (1) 10mm Hex Nut, **(Fig 18)**. Bolt the remaining end of the Support Bracket to the front of the Center Bracket with (1) 8mm Hex Bolt, (2) 8mm Flat Washers, (1) 8mm Lock Washer and (1) 8mm Hex Nut, **(Fig 19)**. Do not tighten hardware at this time.

FIG 17



(Fig 17) Attach the long end of the Support Bracket to the forward Bolt Plate

FIG 18



(Fig 18) Attach the passenger side center bracket to the bolt plate

FIG 19

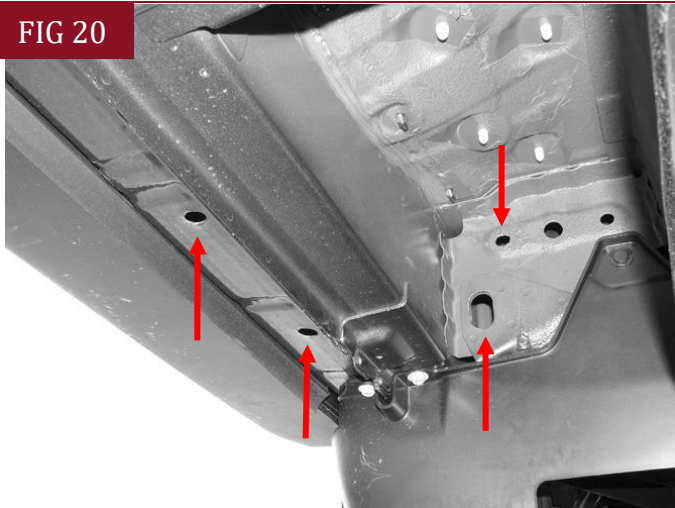


(Fig 19) Attach the passenger side center bracket to the support bracket

STEP 13

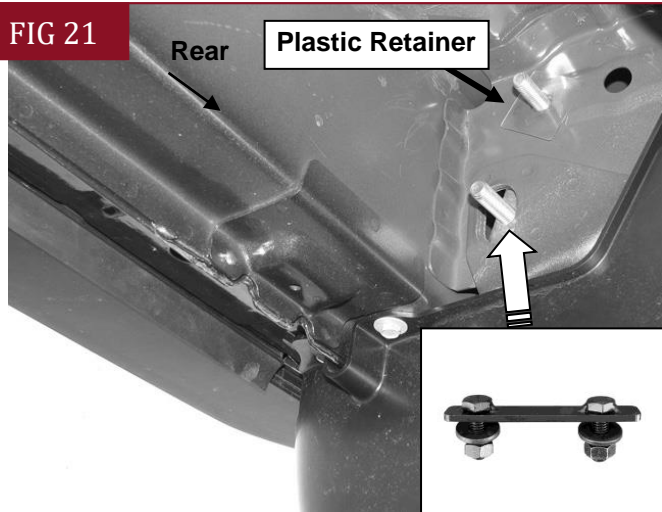
Move to the rear mounting location in front of the passenger side rear tire opening. Locate the large oval and the round holes in the inner body panel in front of the rear tire, **(Fig 20)**. Select (1) 10mm Double Bolt Plate and (1) 10mm Plastic Retainer, **(Fig 21)**. Insert the Bolt Plate into the oval hole and up and out of the smaller round hole above it. Thread the Plastic Retainer onto the Bolt Plate in the round hole only, **(Fig 21)**.

FIG 20



(Fig 20) Passenger side rear mounting location pictured from below. Remove rubber plugs from factory holes

FIG 21

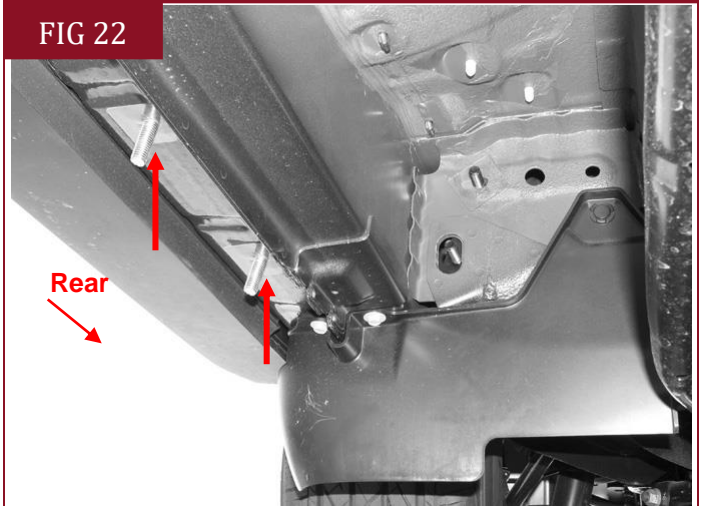


(Fig 21) Passenger side rear mounting location pictured

STEP 14

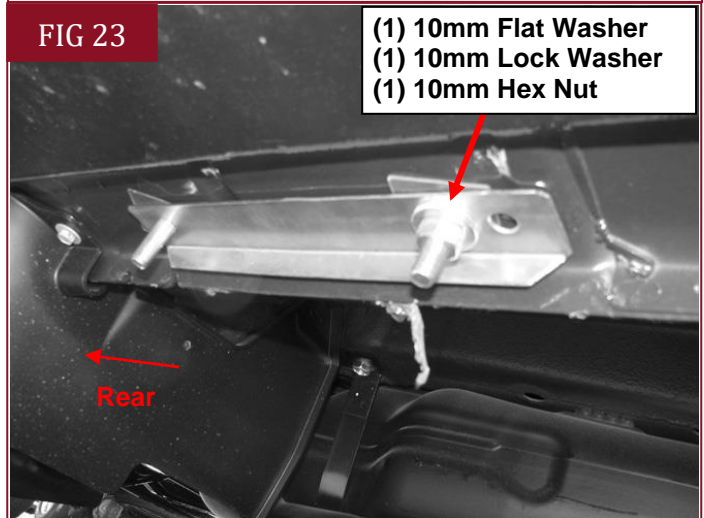
Locate the last (2) round holes along the floor panel, **(Fig 20)**. Repeat **Steps 1—3** to install the (2) 10mm Single Bolt Plates and (1) Front & Rear Locking Plate, **(Fig 22)**. **NOTE:** Attach the Lock Plate to the front Bolt Plate only with (1) 10mm Flat Washer, (1) 10mm Lock Washer and (1) 10mm Hex Nut, **(Fig 23)**. Tighten the Hex Nut at this time.

FIG 22



(Fig 22) Attach (2) Single Bolt Plates to the passenger side rear mounting holes

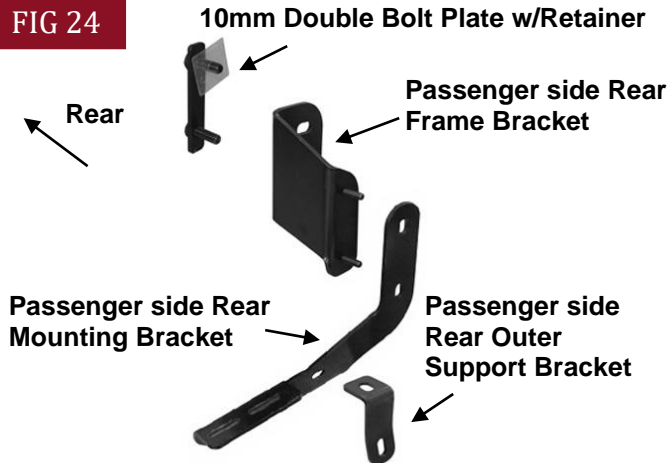
FIG 23



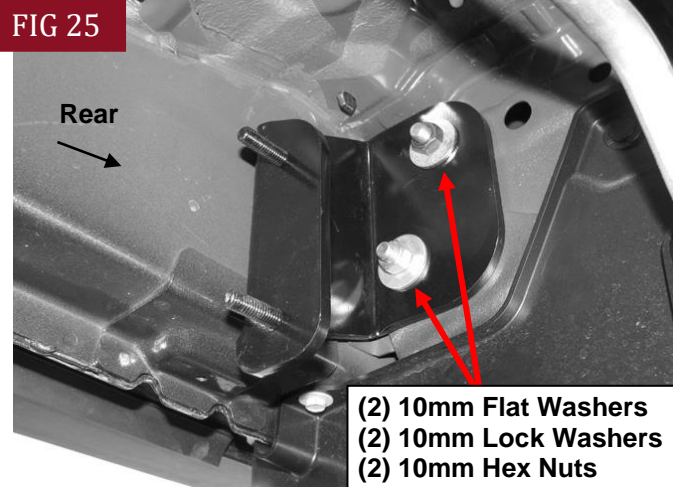
(Fig 23) Attach (1) Front & Rear Locking Plate to the Front Bolt Plate

STEP 15

Select the passenger side rear Frame Bracket, **(Fig 24)**. Attach the Frame Bracket to the Double Bolt Plate with (2) 10mm Flat Washers, (2) 10mm Lock Washers and (2) 10mm Hex Nuts, **(Fig 25)**. Do not tighten hardware at this time. Next, attach the Passenger Side Rear Mounting Bracket to the front of the Frame Bracket with (2) 8mm Flat Washers, (2) 8mm Lock Washers and (2) 8mm Hex Nuts, **(Fig 26)**. Do not tighten hardware at this time.

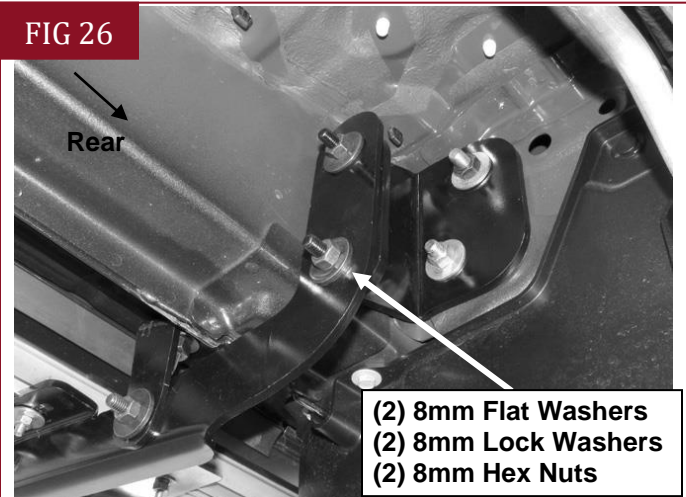


(Fig 24) Passenger Side Rear Bracket assembly



(Fig 25) Attach the Passenger Side Rear Frame Bracket to the 10mm Double Bolt Plate

FIG 26

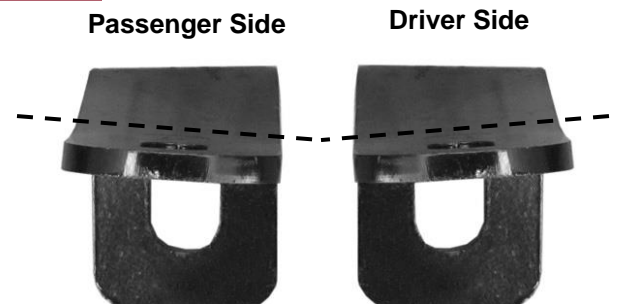


(Fig 26) Pictured from below to show bends

STEP 16

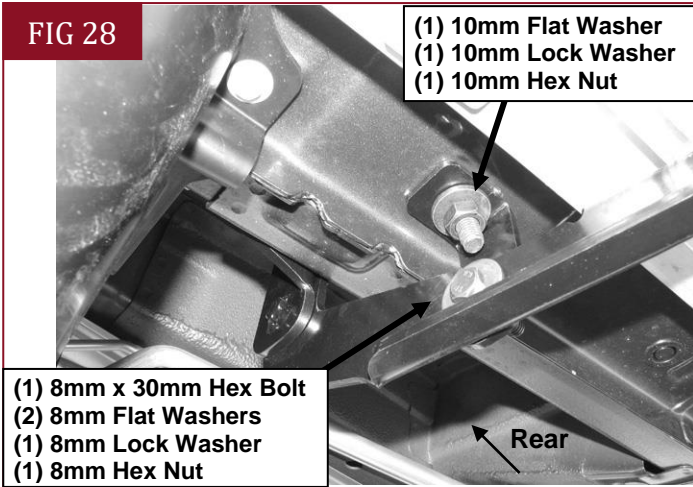
Select the passenger side Rear "7" Support Bracket, **(Fig 27)**. Attach the Support Bracket to the rear Bolt Plate with (1) 10mm Flat Washer, (1) 10mm Lock Washer and (1) 10mm Hex Nut, **(Fig 28)**. Do not tighten hardware. Line up the remaining hole in the Rear Bracket with the "7" Rear Support Bracket. Bolt the Mounting Bracket to the back of the "7" Rear Support Bracket with (1) 8mm Hex Bolt, (2) 8mm Flat Washers, (1) 8mm Lock Washer and (1) 8mm Hex Nut, **(Fig 28)**. Do not tighten hardware at this time.

FIG 27



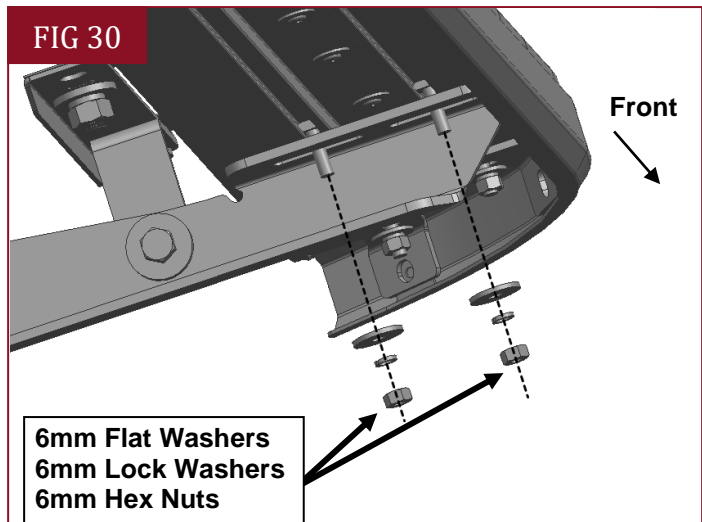
(Fig 27) Pictured from below to show bends

FIG 28



(Fig 28) Passenger side rear Bracket pictured from below

FIG 30

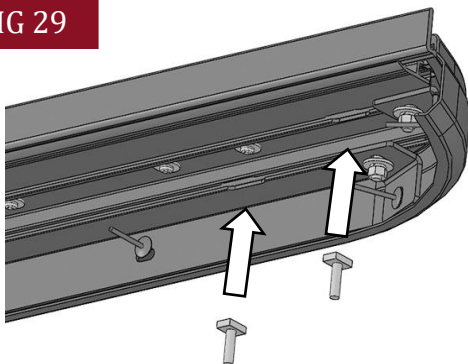


(Fig 30) Attach Passenger Side Running Board to the brackets

STEP 17

Carefully unwrap the Running Boards and select the passenger side Running Board. Insert (6) 6mm T-Bolts into the slots in the ends of the channels, (3 T-Bolts per slot), on the bottom of the Running Board, (Fig 29). Hold the Running Board up in the approximate position and slide the T-Bolts down the slots to line up with the Brackets. Tilt the Running Board up at a slight angle to clear the slots in the Brackets. Secure the Running Board to the Brackets with (6) 6mm Flat Washers, (6) 6mm Lock Washers and (6) 6mm Hex Nuts, (Fig 30). **NOTE: The Running Board is designed to fit close to the vehicle. It may be necessary to loosen the Mounting Brackets and tilt the Brackets downward to insert the Running Board. Do not fully tighten hardware at this time.**

FIG 29



(Fig 29) Insert (6) T-Bolts into the bottom of the Running Board, (3) per channel

STEP 18

Level and adjust the Running Board and tighten all hardware.

STEP 19

Repeat **Steps 1—18** for driver side Running Board installation.

STEP 20

Do periodic inspections to the installation to make sure that all hardware is secure and tight.

Attention

To protect your investment, do not use any type of polish or wax that may contain abrasives that could damage the finish.

Mild soap may be used also to clean the Running Boards.