



# SNIPER RUNNING BOARD

PART #: TAC-NDS9-024

**FITS:** 2005-Up Nissan Frontier Crew Cab



60-120 min





Cutting Not Required



Drilling Not Required

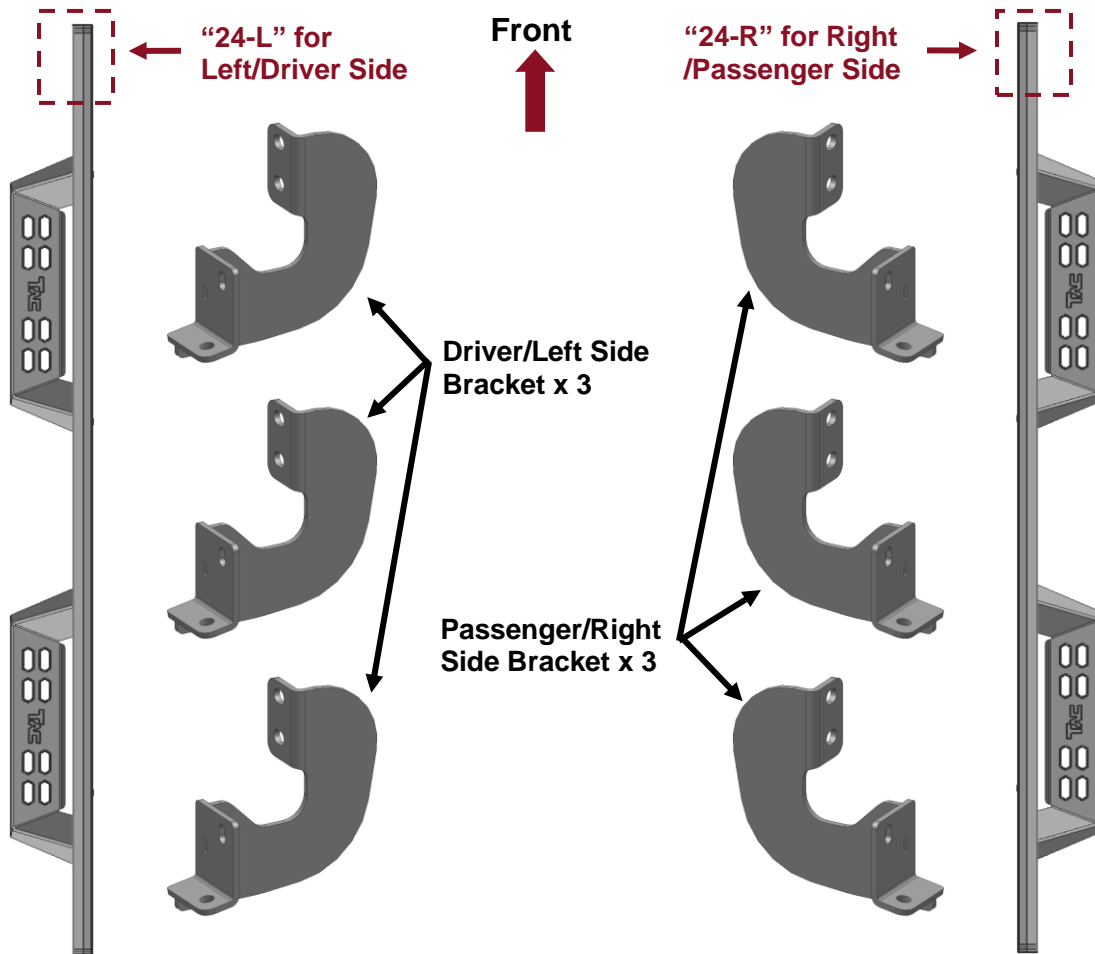
## Torque & Tools

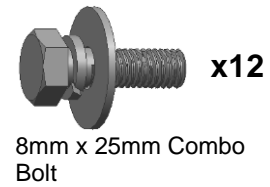
Fastener Size	Tightening Torque (ft-lbs)	Wrench Required	Allen Wrench Required	
				
6mm	7-8.5		<input type="checkbox"/> 10mm	<input type="checkbox"/> 4mm
8mm	18-20		<input checked="" type="checkbox"/> 13mm	<input type="checkbox"/> 5mm
10mm	35-40		<input type="checkbox"/> 16mm	<input type="checkbox"/> 6mm
12mm	60-70		<input type="checkbox"/> 18mm	<input type="checkbox"/> 8mm

### BEFORE INSTALLATION

REMOVE CONTENTS FROM BOX. VERIFY ALL PARTS ARE PRESENT. READ INSTRUCTIONS CAREFULLY BEFORE STARTING INSTALLATION. ASSISTANCE IS RECOMMENDED.

### Part List



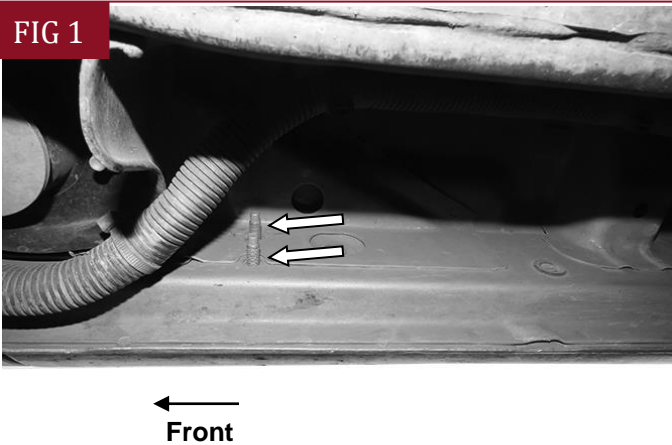


**PLEASE NOTE THAT THE FOLLOWING PICTURES ARE BASED ON THE PASSENGER SIDE INSTALLATION**

## STEP 1

Starting from underneath the Passenger/Right body panel. Locate the front factory mounting location along the inner side of the body, **(Fig 1)**. Use a wire brush or thread chaser die to remove excess paint and/or undercoating from two studs.

**FIG 1**

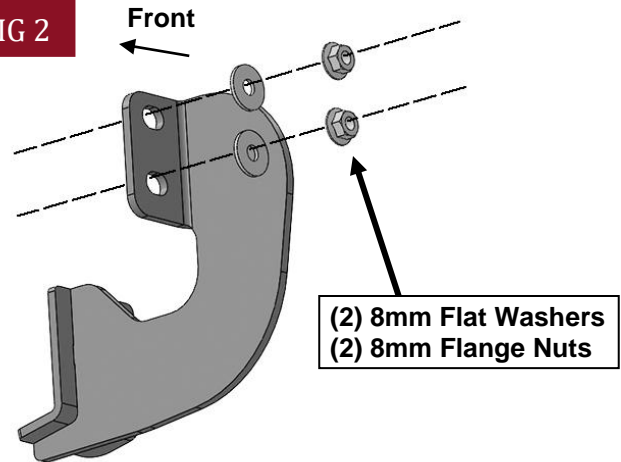


**(Fig 1) Passenger/Right front mounting location**

## STEP 2

Select the (1) Passenger/Right Mounting Bracket. Attach the Bracket to the front location with (2) 8mm Flat Washers and (2) 8mm Flange Nuts, **(Fig 2)**. Do not tighten hardware.

**FIG 2**

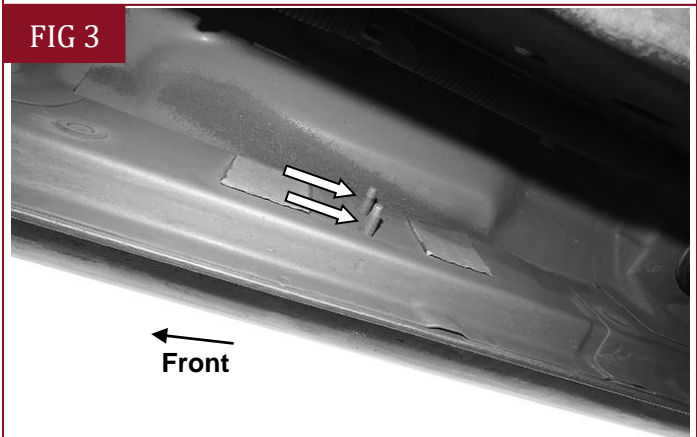


**(Fig 2) Attach (1) Passenger/Right Mounting Bracket to the front location**

## STEP 3

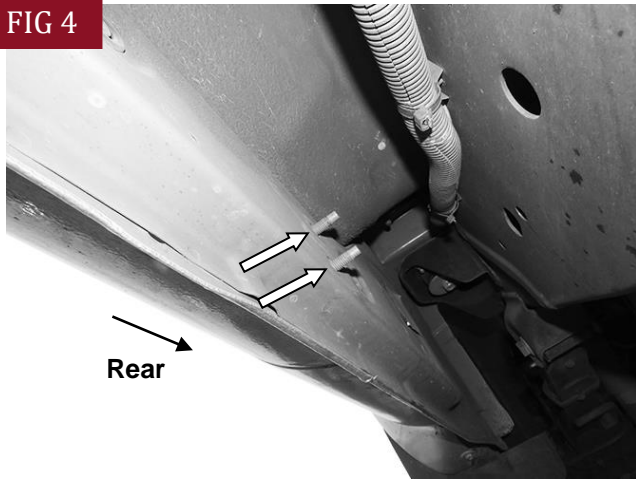
Repeat **Steps 2** to attach (2) Passenger/Right Mounting Brackets to the center and rear locations, **(Figs 3-4)**. Do not tighten hardware.

**FIG 3**



**(Fig 3) Passenger/Right center mounting location**

FIG 4

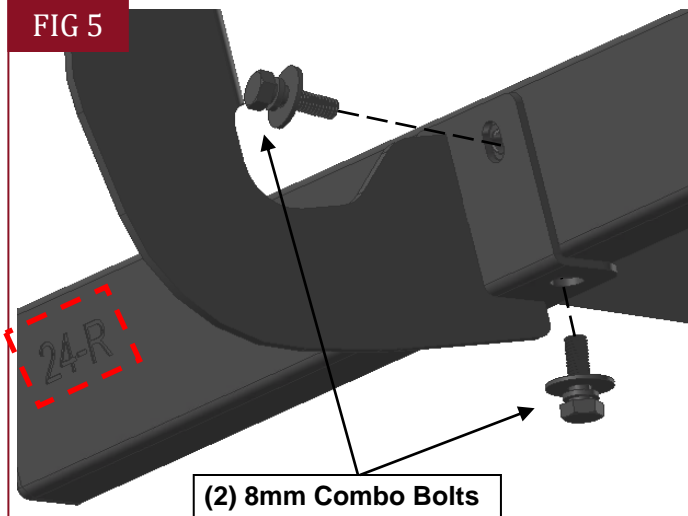


(Fig 4) Passenger/Right rear mounting location

## STEP 4

Select the Passenger/Right Running Board.  
**NOTE:** The Passenger/Right Running Board will have a “24-R” on the front. Carefully place Running Board on the brackets. **IMPORTANT:** Do not slide the Running Board front to back or damage to the finish may result. Attach Running Board to the Mounting Brackets with (6) 8mm Combo Bolts, (Fig 5). Do not tighten hardware.

FIG 5



(Fig 5) Attach the Passenger/Right Running Board to the Mounting Brackets

## STEP 5

Level and adjust the Running Board and fully tighten all hardware.

## STEP 6

Repeat **Steps 1—5** to attach the Driver/Left Running Board.

## STEP 7

Do periodic inspections to the installation to make sure that all hardware is secure and tight.

### Attention

To protect your investment, do not use any type of polish or wax that may contain abrasives that could damage the finish.

Mild soap may be used also to clean the Running Boards.