



# Defender Step

PART #: TAC-JDS-017

**FITS:** 2020-Up Jeep Gladiator JT



60-120 min



Cutting Not Required



Drilling Not Required

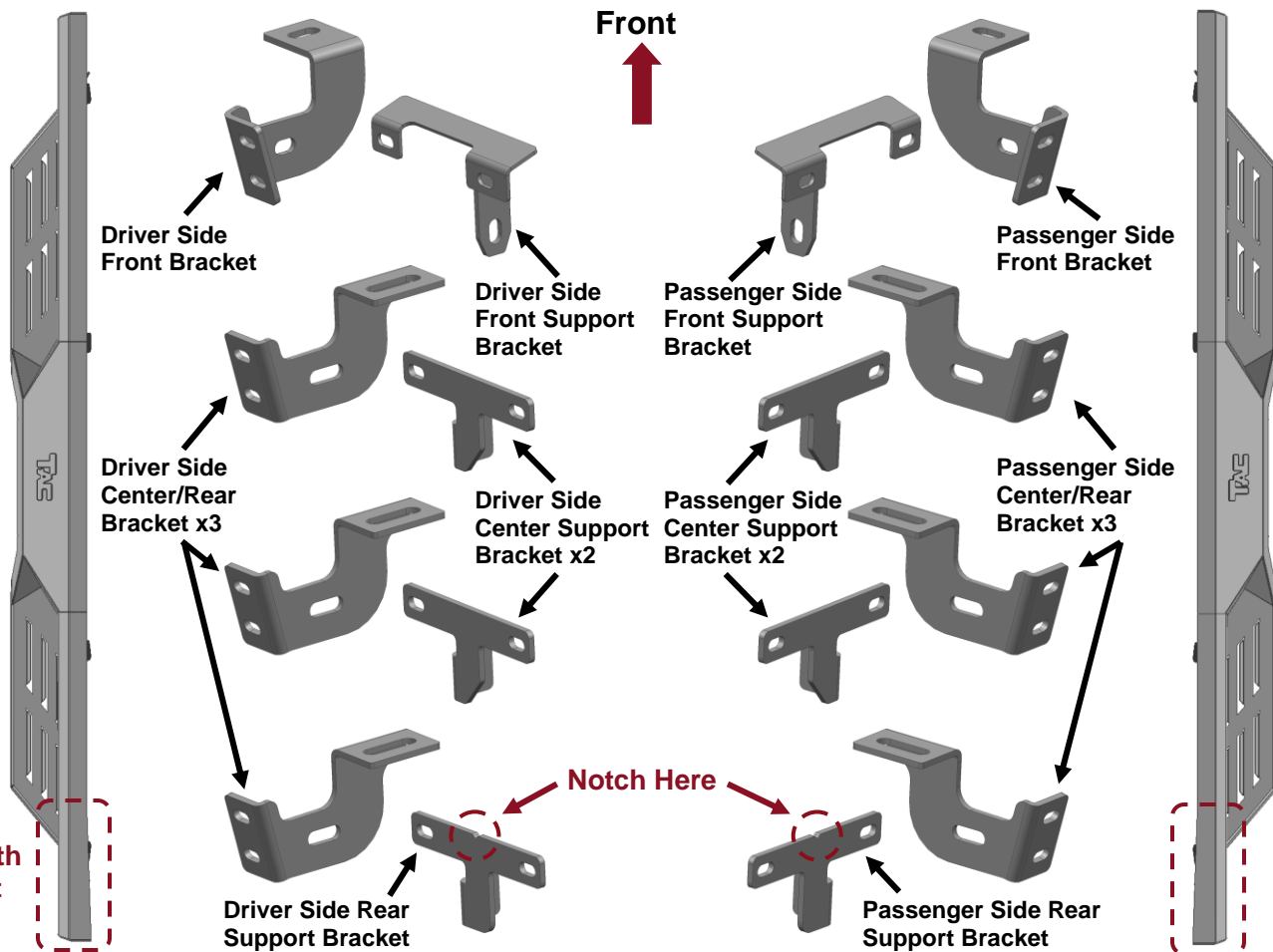
## Torque & Tools

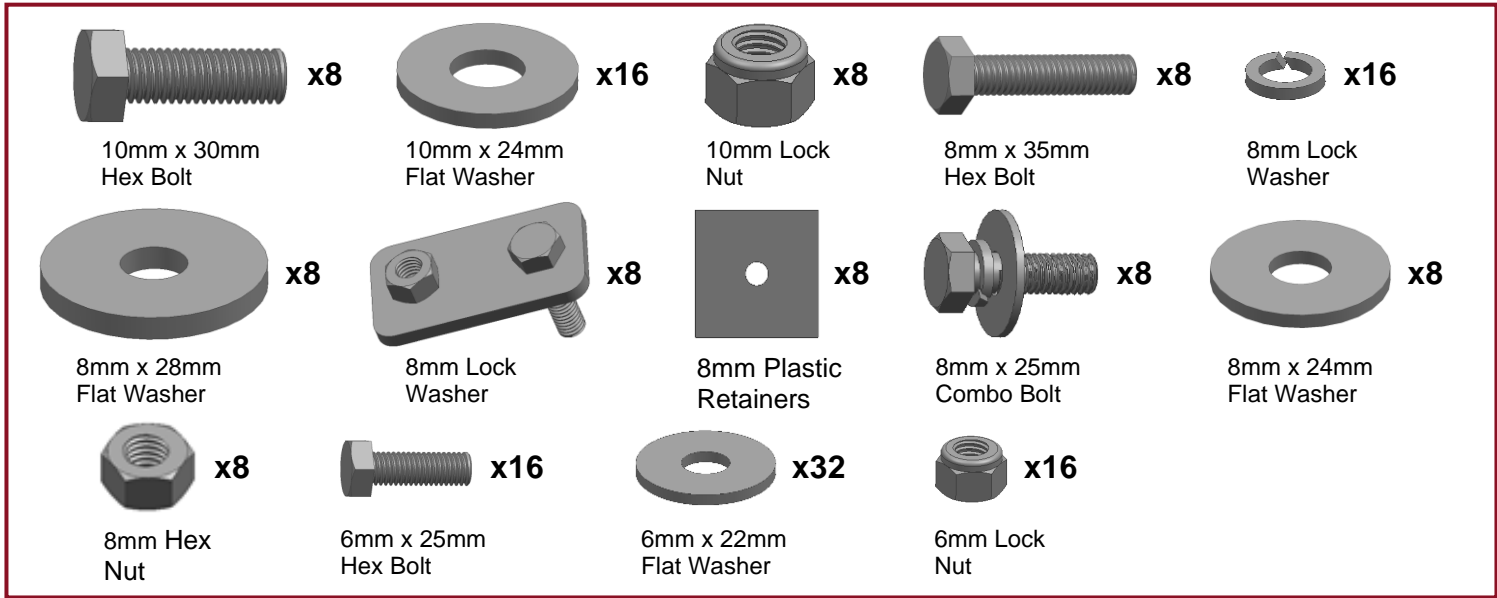
Fastener Size	Tightening Torque (ft-lbs)	Wrench Required		Allen Wrench Required	
			<input checked="" type="checkbox"/> 10mm <input checked="" type="checkbox"/> 13mm <input checked="" type="checkbox"/> 16mm <input type="checkbox"/> 18mm		<input type="checkbox"/> 4mm <input type="checkbox"/> 5mm <input type="checkbox"/> 6mm <input type="checkbox"/> 8mm
<input checked="" type="checkbox"/> 6mm	<input checked="" type="checkbox"/> 7-8.5				
<input checked="" type="checkbox"/> 8mm	<input checked="" type="checkbox"/> 18-20				
<input checked="" type="checkbox"/> 10mm	<input checked="" type="checkbox"/> 35-40				
<input type="checkbox"/> 12mm	<input type="checkbox"/> 60-70				

### BEFORE INSTALLATION

REMOVE CONTENTS FROM BOX. VERIFY ALL PARTS ARE PRESENT. READ INSTRUCTIONS CAREFULLY BEFORE STARTING INSTALLATION. ASSISTANCE IS RECOMMENDED.

### Part List

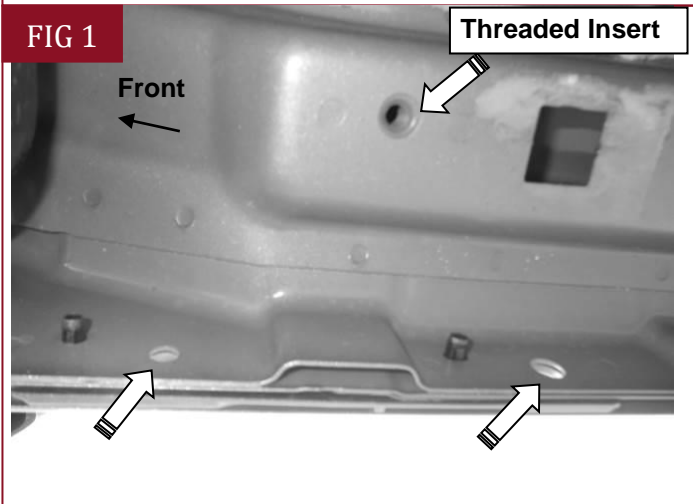




**PLEASE NOTE THAT THE FOLLOWING PICTURES ARE BASED ON THE PASSENGER SIDE INSTALLATION**

## STEP 1

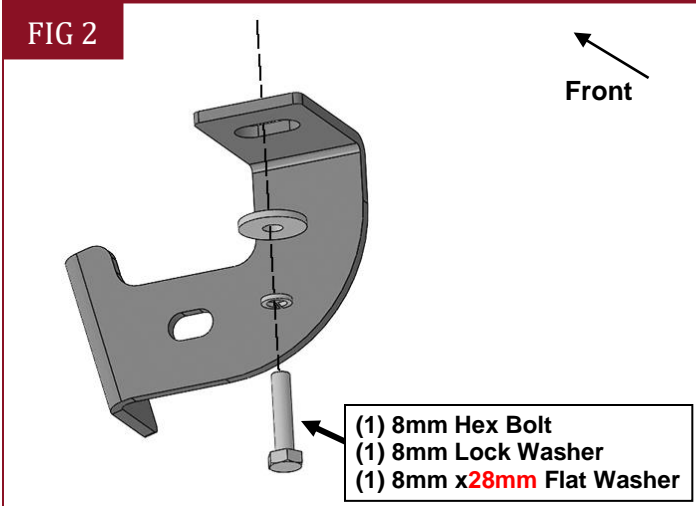
Start installation on the Passenger/Right front of the of the vehicle. Find the front threaded insert located in between the first pair of holes along the pinch weld, (Fig 1).



(Fig 1) Passenger/Right side front mounting location with threaded insert

## STEP 2

Select the Passenger/Right Front Mounting Bracket. Attach the Mounting Bracket to the threaded insert using (1) 8mm Hex Bolt, (1) 8mm Lock Washer and (1) 8mm x 28mm Flat Washer, (Fig 2). Do not tighten hardware.

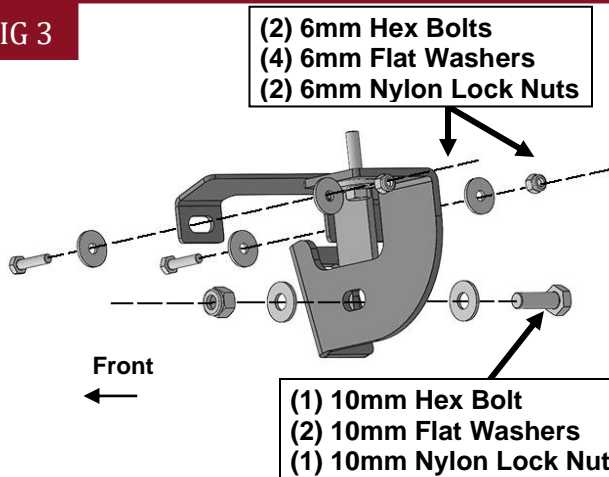


(Fig 2) Attach the Passenger/Right Front Mounting Bracket to the front location

## STEP 3

Select the Passenger/Right Front Support Bracket. **IMPORTANT:** Please identify the **Front, Center, Rear Support Brackets** according to the illustration on Part List. Attach the Support Bracket to the pinch weld using (2) 6mm Hex Bolts, (4) 6mm Flat Washers and (2) 6mm Nylon Lock Nuts, (Fig 3). **NOTE:** Insert Bolts from the **outside of the pinch weld**. Attach the Support Bracket to the Mounting Bracket with (1) 10mm Hex Bolt, (2) 10mm Flat Washers and (1) 10mm Nylon Lock Nut, (Figs 3 & 4). Do not tighten hardware.

FIG 3



(Fig 3) Attach the Passenger/Right Front Support Bracket to the pinch trim

FIG 4

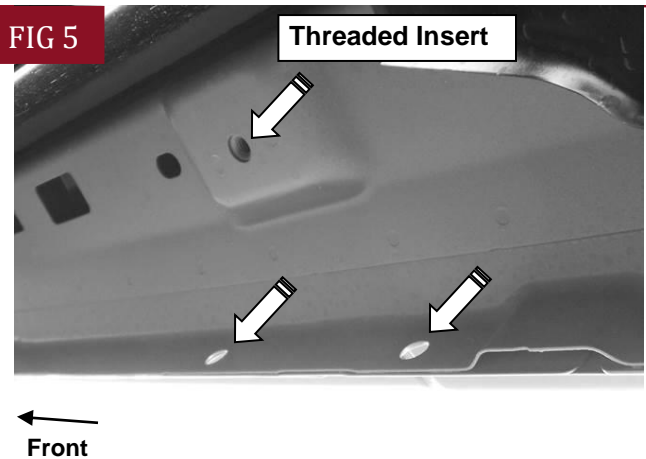


(Fig 4) Passenger/Right Front Brackets attached

## STEP 4

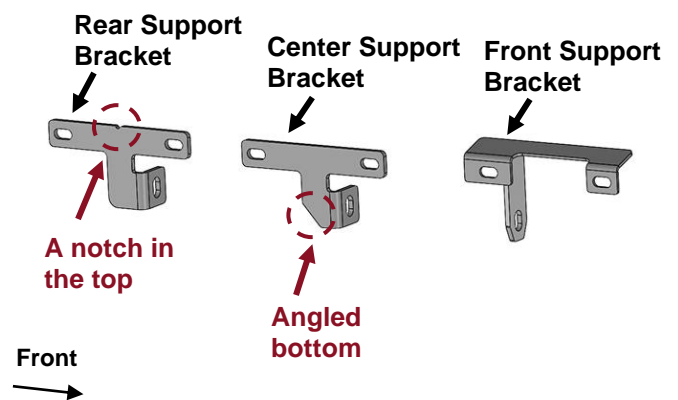
Move to the 2nd mounting location and locate the threaded insert and pair of holes in the pinch weld, (Fig 5). Repeat **Steps 2 & 3** to attach (1) Passenger/Right Center/Rear Mounting Bracket and (1) Passenger/Right Center Support Bracket (Figs 6 & 7). **IMPORTANT:** The **Center Support Bracket** has a **Flat Top** and **Angled** bottom. The **Rear Support Bracket** has a **Notch** in the top (Fig 6). Do not tighten hardware.

FIG 5



(Fig 5) Passenger/Right 2nd mounting location

FIG 6



(Fig 6) The Support Brackets look the same but are unique

FIG 7

Front



(Fig 7) (1) Passenger/Right Center/Rear Mounting Bracket and (1) Center Support Bracket attached to the 2nd location

## STEP 5

Move to the 3rd mounting location on the rocker panel and locate the threaded insert and pair of holes in the pinch weld. Repeat **Steps 2 & 3** to attach (1) Passenger/Right Center/Rear Mounting Bracket and (1) Passenger/Right Center Support Bracket, (Figs 6 & 8). Do not tighten hardware at this time.

FIG 8

Rear



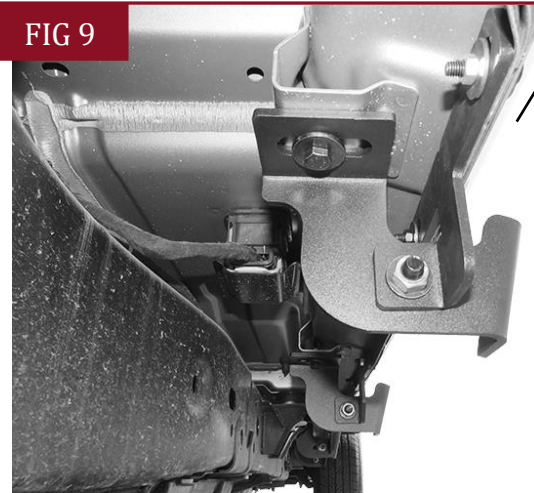
(Fig 8) (1) Passenger/Right Center/Rear Mounting Bracket and (1) Center Support Bracket attached to the 3rd location

## STEP 6

Move to the rear mounting location on the rocker panel and locate the threaded insert and pair of holes in the pinch weld. Repeat **Steps 2 & 3** to attach remaining Passenger/Right Center/Rear Mounting Bracket and Passenger/Right Rear Support Bracket (Figs 6 & 9). **IMPORTANT: The Rear Support Bracket has a Notch in the top (Fig 6).** Do not tighten hardware.

FIG 9

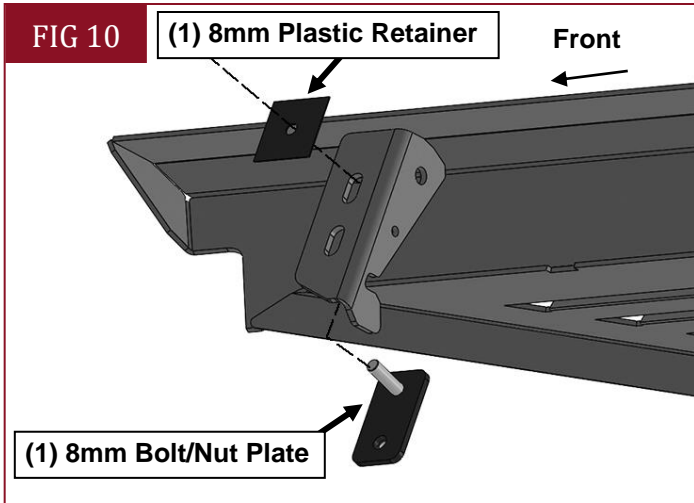
Rear



(Fig 9) Attach (1) Passenger/Right Center/Rear Bracket and Passenger/Right Rear Support Bracket to the rear location

## STEP 7

Select the Passenger/Right Running Board. **NOTE: The Passenger/Right Running Board rear end with Oblique Cut on the top.** Select (1) 8mm Bolt/Nut Plate. Insert the Bolt/Nut Plate into the front mounting tab on the Running Board. Thread (1) 8mm Plastic Retainer onto the threads of the Bolt/Nut Plate to hold it in place, (Fig 10).



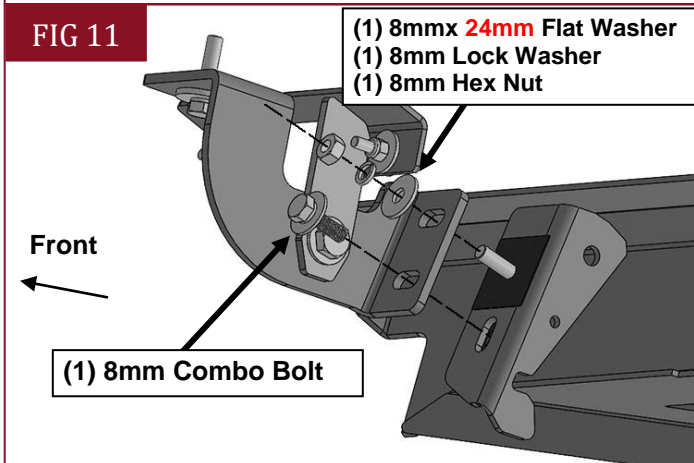
(Fig 10) Insert (1) 8mm Bolt/Nut Plate into the Running Board. Thread (1) 8mm Plastic Retainer onto the Plate to hold it in place

## STEP 8

Repeat **Step 7** to insert (3) 8mm Bolt/Nut Plates into the 2nd, 3rd and rear mounting tabs.

## STEP 9

With assistance, attach the Running Board to the (4) Mounting Brackets with (4) 8mm x **24mm** Flat Washers, (4) 8mm Lock Washers, (4) 8mm Hex Nuts and (4) 8mm Combo Bolts, (Fig 11). Do not tighten hardware at this time.



(Fig 11) Attach the Running Board to the Mounting Brackets

## STEP 10

Level and adjust the Running Board and tighten all hardware.

## STEP 11

Repeat **Steps 1—10** to attach Driver/Left Running Board.

## STEP 12

Do periodic inspections to the installation to make sure that all hardware is secure and tight.

### Attention

To protect your investment, do not use any type of polish or wax that may contain abrasives that could damage the finish.

Mild soap may be used also to clean the Running Boards.