



SNIPER RUNNING BOARD

PART #: TAC-FDS9-015

FITS: 2019-Up Ford Ranger Super Crew Cab



60-120 min





Cutting Not Required



Drilling Not Required

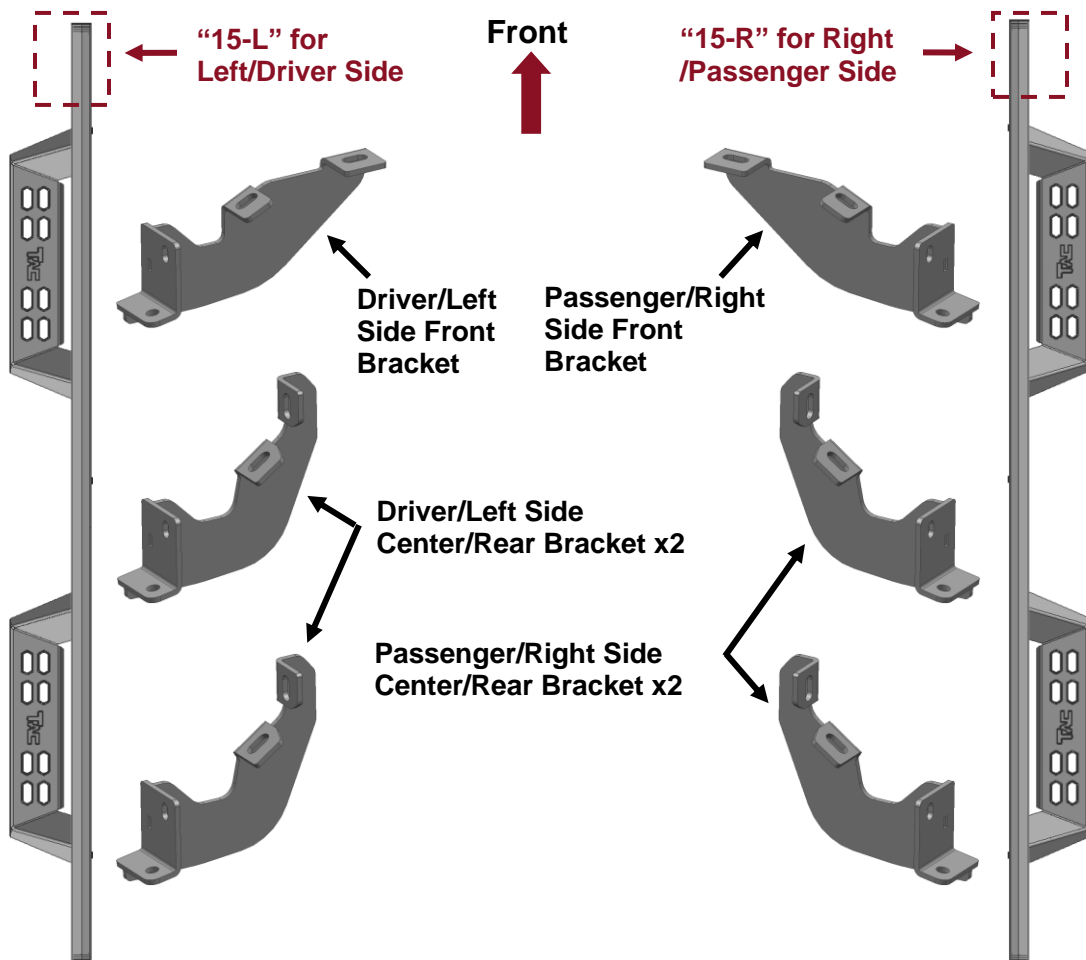
Torque & Tools

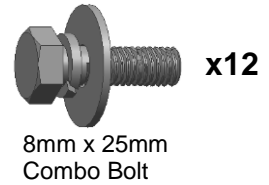
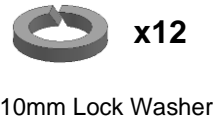
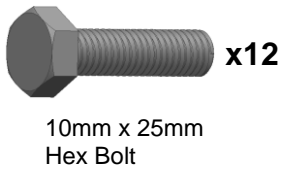
Fastener Size	Tightening Torque (ft-lbs)	Wrench Required	Allen Wrench Required	
				
6mm	7-8.5		<input type="checkbox"/> 10mm	<input type="checkbox"/> 4mm
8mm	18-20		<input checked="" type="checkbox"/> 13mm	<input type="checkbox"/> 5mm
10mm	35-40		<input checked="" type="checkbox"/> 16mm	<input type="checkbox"/> 6mm
12mm	60-70		<input type="checkbox"/> 18mm	<input type="checkbox"/> 8mm

BEFORE INSTALLATION

REMOVE CONTENTS FROM BOX. VERIFY ALL PARTS ARE PRESENT. READ INSTRUCTIONS CAREFULLY BEFORE STARTING INSTALLATION. ASSISTANCE IS RECOMMENDED.

Part List



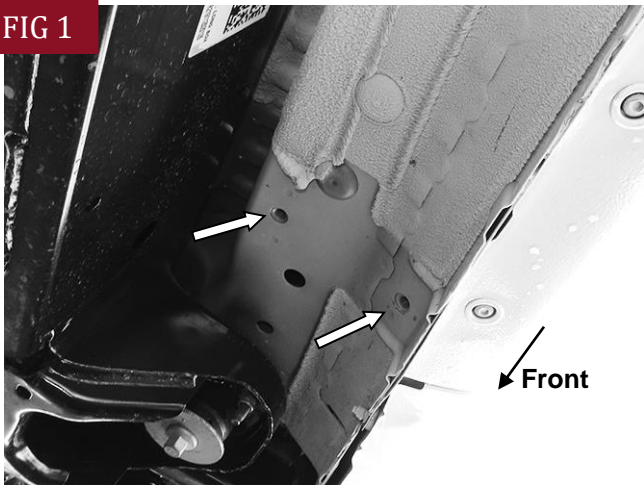


PLEASE NOTE THAT THE FOLLOWING PICTURES ARE BASED ON THE PASSENGER SIDE INSTALLATION

STEP 1

Starting from underneath the Passenger/Right body panel, locate the front mounting location and the threaded holes in the body panel, **(Fig 1)**. Remove the plastic plugs covering the holes.

FIG 1



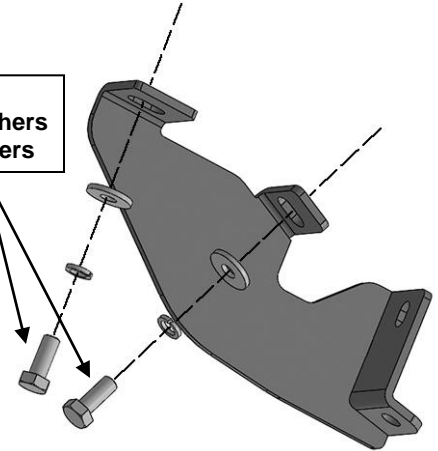
(Fig 1) Passenger/Right front mounting location

STEP 2

Select the Passenger/Right Front Mounting Bracket. Attach the Mounting Bracket to the front location with (2) 10mm Hex Bolts, (2) 10mm Lock Washers and (2) 10mm Flat Washers, **(Fig 2)**. Do not tighten hardware.

FIG 2

(2) 10mm Hex Bolts
(2) 10mm Lock Washers
(2) 10mm Flat Washers

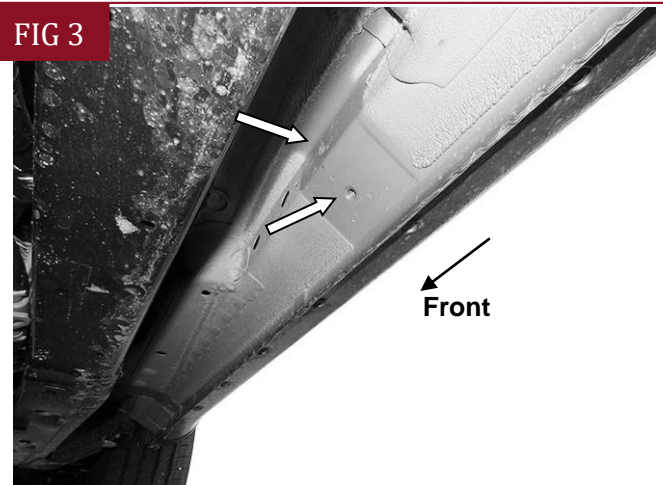


(Fig 2) Attach the Passenger/Right Front Mounting Bracket to the front location

STEP 3

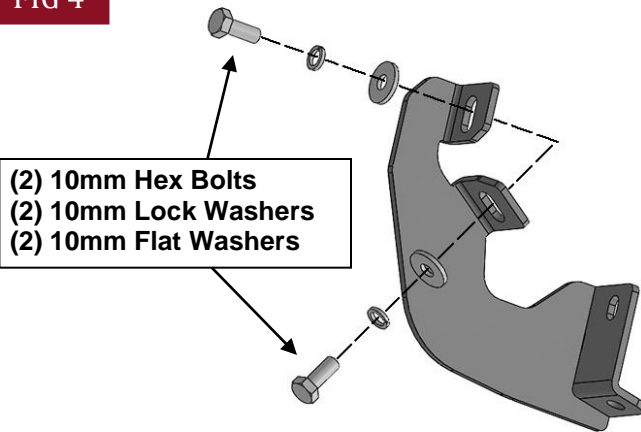
Repeat **Steps 1-2** to attach (2) Passenger/Right Center/Rear Mounting Brackets to the center and rear locations, **(Figs 3-5)**. Do not tighten hardware.

FIG 3



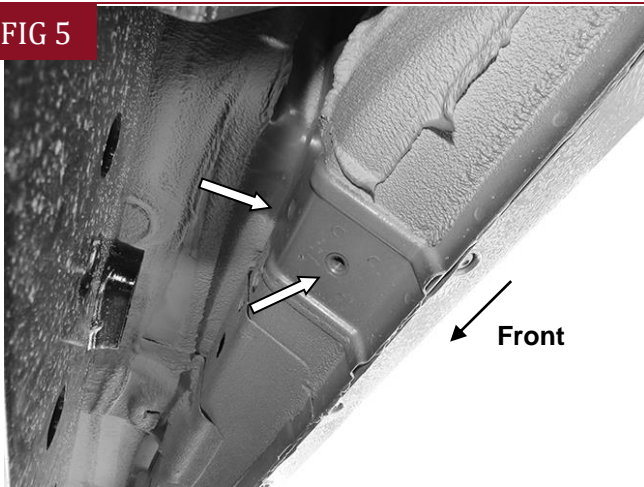
(Fig 3) Passenger/Right center mounting location

FIG 4



(Fig 4) Attach (1) Passenger/Right Center/Rear Mounting Bracket to the center location

FIG 5

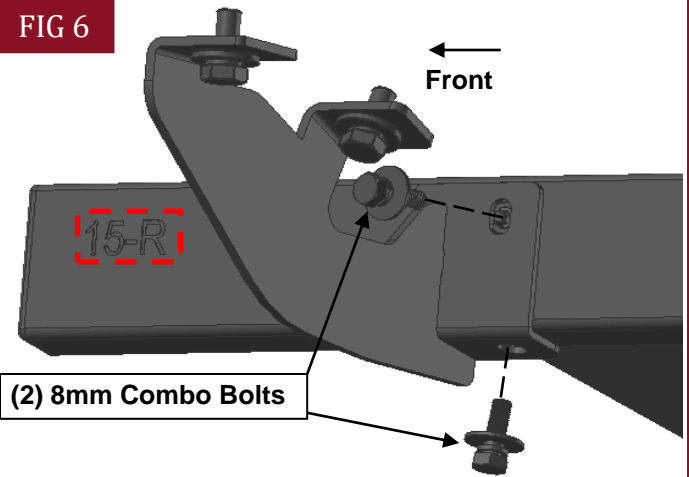


(Fig 5) Passenger/Right rear mounting location

STEP 4

Select the Passenger/Right Running Board.
NOTE: The Passenger/Right Running Board will have a "15-R" on the front. Carefully place Running Board on the brackets. **IMPORTANT:** Do not slide the Running Board front to back or damage to the finish may result. Attach Running Board to the (3) Mounting Brackets with (6) 8mm Combo Bolts, (Fig 6). Do not tighten hardware.

FIG 6



(Fig 6) Attach the Passenger/Right Running Board to the Mounting Brackets

STEP 5

Level and adjust the Running Board and fully tighten all hardware.

STEP 6

Repeat **Steps 1—5** to attach the Driver/Left Running Board.

STEP 7

Do periodic inspections to the installation to make sure that all hardware is secure and tight.

Attention

To protect your investment, do not use any type of polish or wax that may contain abrasives that could damage the finish.

Mild soap may be used also to clean the Running Boards.