

INSTALLATION INSTRUCTIONS

SHARK RUNNING BOARD

2005-2021 Tacoma Access Cab / Double Cab



Recommended Tools

Personal & Vehicle Protection	Notes
Safety Glasses	
Special Tools	Notes
(none required)	
Installation Tools	Notes
Torque Wrench	3/8" Drive (25ft-lbs)
Socket	12mm
Ratchet	3/8" Drive
Extension	3," 6"
Screwdriver	Flat Blade







Kit Contents

Item#	QTY	Description
1	1	Driver Side Running Board
2	1	Passenger Side Running Board
3	2	Front Mounting Brackets
4	2	Center Mounting Brackets
5	2	Rear Mounting Brackets

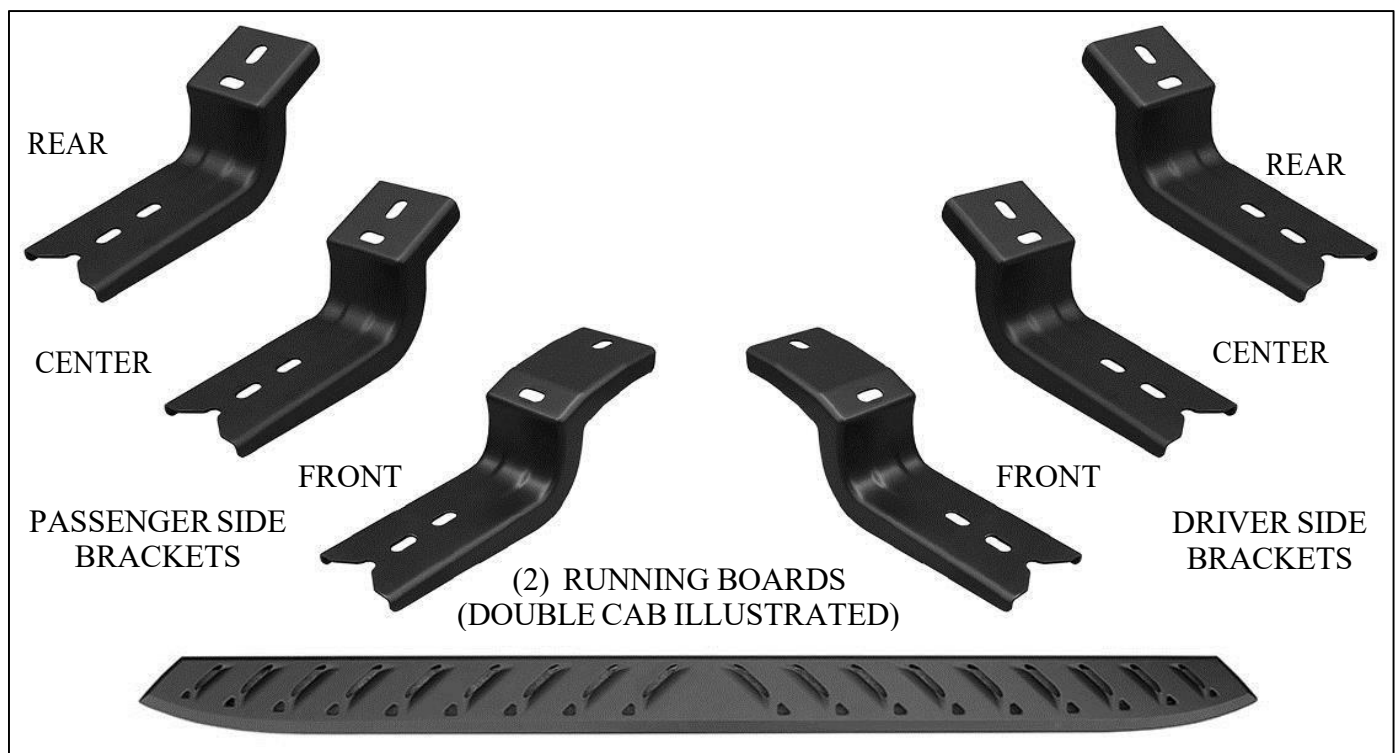
Hardware Bag Contents

Item#	QTY	Description
1a	12	8-1.25mm x 25mm Serrated Locking Hex Head Bolts
1b	12	8mm x 20mm x 2mm Flat Washers
2a	12	8-1.25mm x 25mm Serrated Locking Hex Head Bolts
2b	12	8mm x 20mm x 2mm Flat Washers

Legend

	<u>STOP:</u> Damage to the vehicle may occur. Do not proceed until process has been complied with.
	<u>OPERATOR SAFETY:</u> Use caution to avoid risk of injury.
	<u>CAUTION:</u> A process that must be carefully observed in order to reduce the risk of damage to the accessory/vehicle and to ensure a quality installation
	<u>TOOLS & EQUIPMENT:</u> Used in Figures calls out the specific tools and equipment recommended for this process.
	<u>REVISION MARK:</u> This mark highlights a change in installation with respect to previous issue.
	<u>SAFETY TORQUE:</u> This mark indicates that torque is related to safety.

Parts Identification



1. Preparation

- (a) Remove contents from box
- (b) Verify all parts are present
- (c) Read instructions carefully

2. Assemble Vehicle Bracket

- (a) Starting on the driver side front of the vehicle, use a flat blade screwdriver to remove the plastic plugs from the factory weld nuts (FIG. 1)

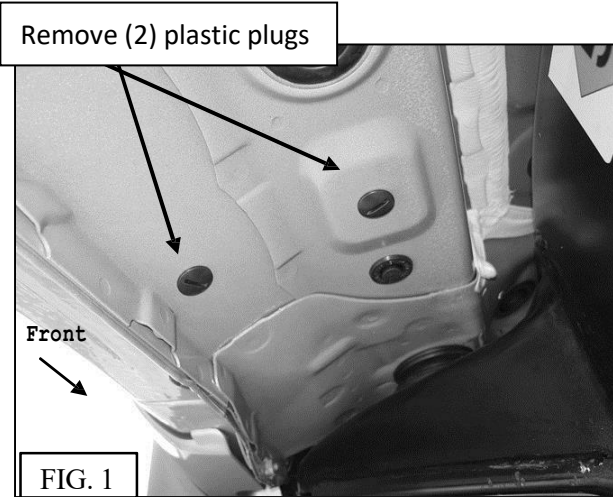
- (b) Select (1) Front Bracket. Attach the bracket to the front mounting location with the included (2) 8mm x 25mm Flange Bolts and (2) 8mm Flat Washers, (FIG. 2).

Do not tighten hardware at this time.

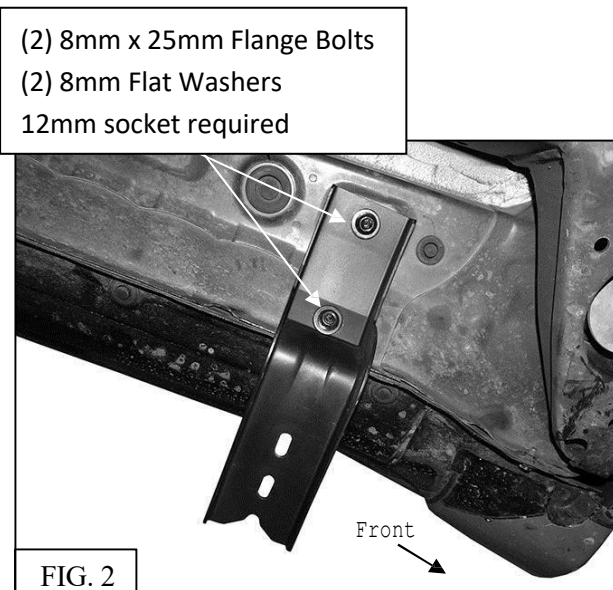
Center Mounting Bracket

- (c) Repeat Step 2a to remove the plastic plugs from the center mounting location, (Figure 3)

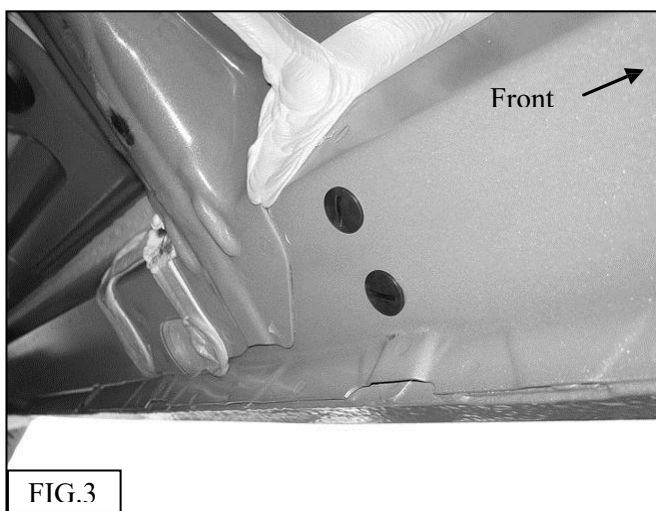
- (d) Select (1) center/rear bracket. **NOTE: center and rear brackets are identical.** Repeat the procedure as described in Step 2b to install the center mounting bracket.



Driver Side Front Location Pictured

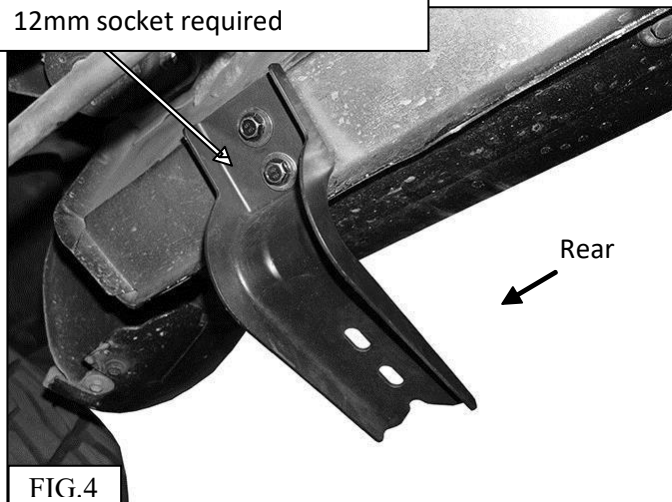


Driver Side Front Bracket Pictured



Driver Side Center Location

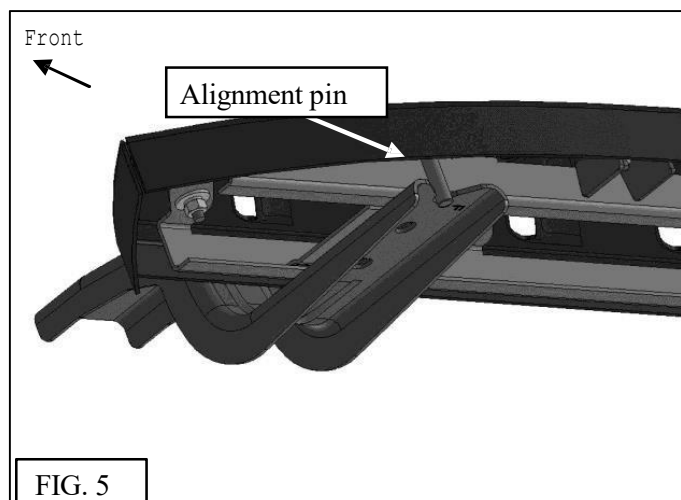
(2) 8mm x 25mm Flange Bolts
(2) 8mm Flat Washers
12mm socket required



Driver Side Rear Bracket Installed

Rear Mounting Bracket

(e) Repeat Step 2b for rear bracket installation, (FIG. 4). **Do not tighten hardware at this time.**



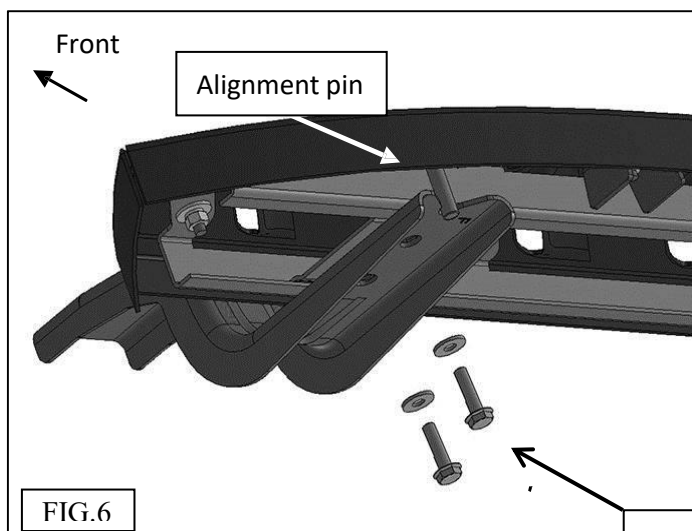
Driver Side Front of Running Board

3. Running Board

(a) Select the driver side Running Board.

NOTE: The Running Board features locating pins at the front and rear of the running board, (FIG. 5). Carefully place the running board on top of the Brackets.

(b) Locate the alignment pins on the underside of the board, (FIG. 5). Line up the pins with the “V” notch in the front and rear bracket.



Driver Side Front Installation Pictured

(c) Push the board in toward the vehicle with the alignment pins against the notches in the brackets. Attach the Running Board to each mounting bracket with the included 8mm x 25mm Flange Bolts and 8mm Flat Washers, (FIG. 6). Do not tighten hardware at this time.

(2) 8mm Flat Washers
(2) 8mm Flange Bolts
12mm socket required

4. Adjust-Alignment and Tighten



(a) Level and adjust Running Board properly and tighten all hardware following the sequence illustrated below, (FIG. 7)

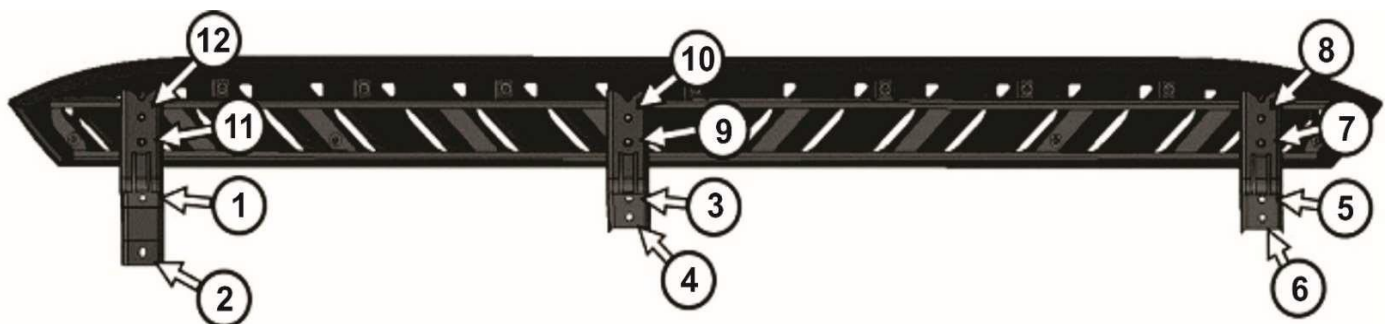


(b) Recommended torque values are 16ft-lbs, (torque audit range +/-50%) for all 8mm fasteners

5. Repeat Steps 2-4 for Passenger Side

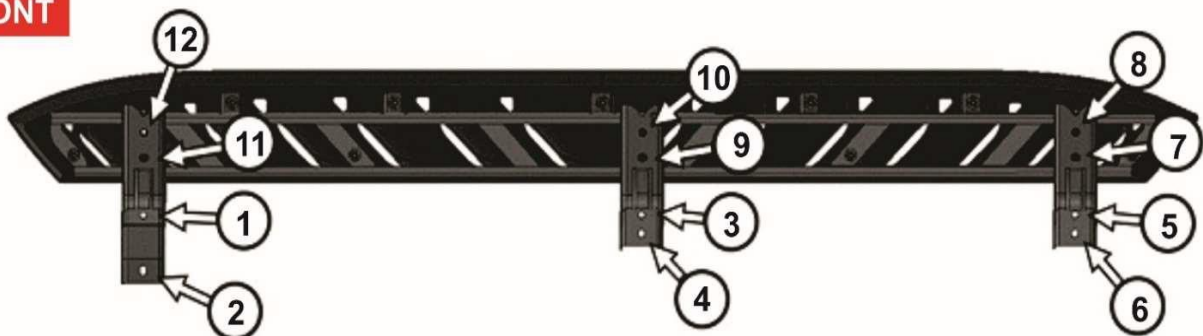
Running Board installation.

6. Do periodic inspections to the installation to make sure that all hardware is secure and tight.



Driver Side Double Cab tightening sequence illustrated from below

FRONT



Driver Side Access Cab tightening sequence illustrated from below

FIG. 7

Checklist- these points MUST be checked to ensure a quality installation

Check:

Look For:

Accessory Function Checks

1. Visual check of running board alignment

2. Check all bracket bolts for proper torque with torque wrench

Ensure that the running board is level and parallel to the vehicle rocket panel.

Recommended installation torque value 16ft-lbs.
(Torque audit range +/-50%)

Vehicle Appearance Check

After accessory installation, perform a visual inspection.

Look for dents, scratches or blemishes in the finish. Ensure that no damage was caused during the installation process.