



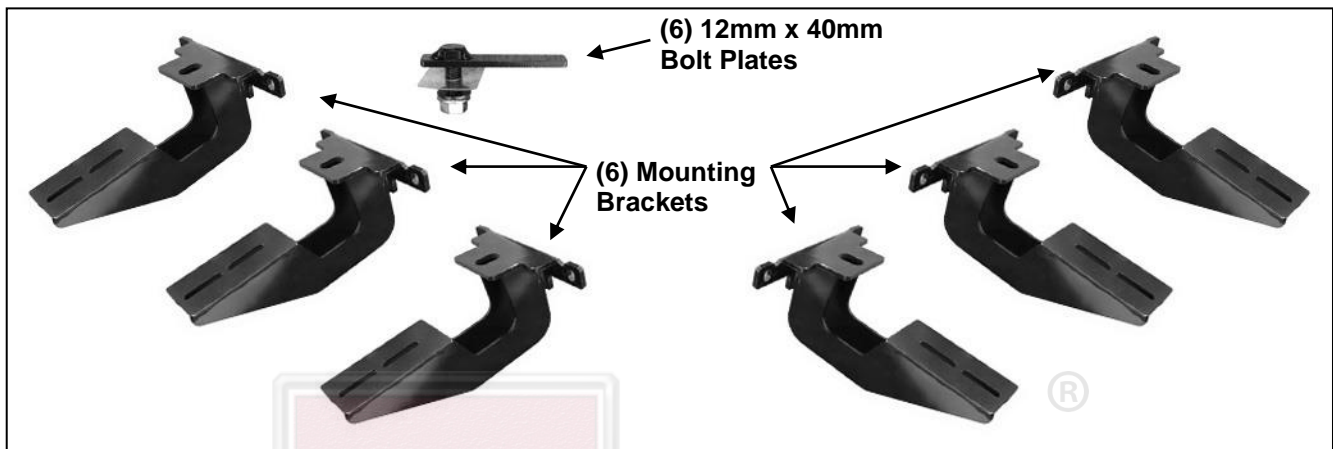
## **INSTALLATION INSTRUCTIONS**

**VALUE ALUMINUM RUNNING BOARD  
2011-2024 DODGE DURANGO  
(EXCLUDING R/T, GT/GT PLUS/SRT MODELS)  
PART# RB-D101B**

**TRUCK ACCESSORIES COMPANY**

**Parts List:**

|   |                                     |    |  |
|---|-------------------------------------|----|--|
| 2 | Value Running Boards                | 12 | 6mm x 20mm "T" Bolts                   |
| 6 | Mounting Brackets                   | 12 | 6-1.0mm x 25mm Hex Bolts               |
| 6 | 12-1.75mm x 40mm Bolt Plates        | 24 | 6mm x 22mm OD x 2mm Large Flat Washers |
| 6 | 12mm Serrated Flange Nuts           | 12 | 6mm x 18mm OD x 1.6mm STD Flat Washers |
| 6 | 12mm x 24mm OD x 2.5mm Flat Washers | 12 | 6mm Lock Washers                       |
| 6 | 12mm Plastic Retainers              | 12 | 6mm Hex Nuts                           |
|   |                                     | 12 | 6mm Nylon Lock Nuts                    |



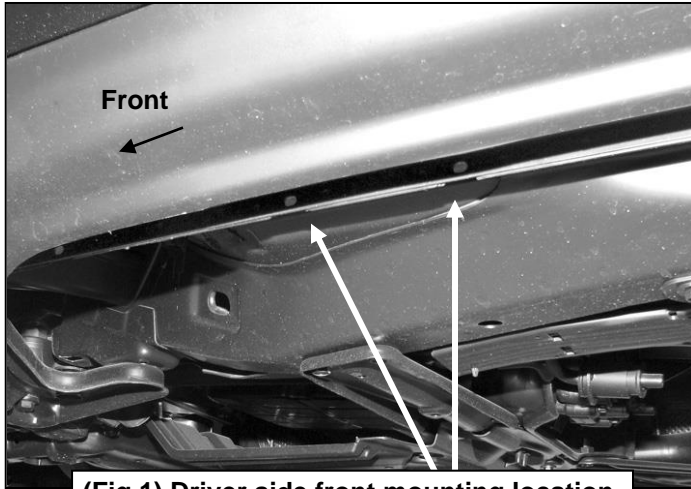
**ROCEDURE:**

**REMOVE CONTENTS FROM BOX. VERIFY ALL PARTS ARE PRESENT. READ INSTRUCTIONS CAREFULLY BEFORE STARTING INSTALLATION.**

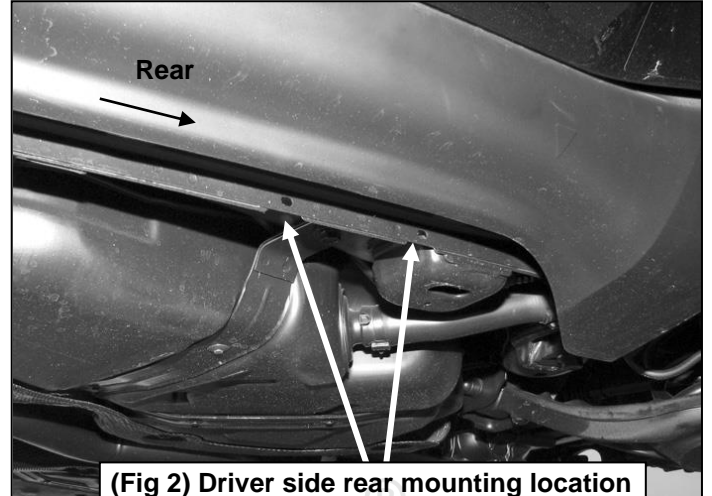
- Starting at the driver side, locate the (3) pairs of factory holes in the pinch weld, **(Figures 1 & 2)**. Move toward the front pair. Remove the rubber plug filling the oval hole in the bottom of the rocker panel in front of the two holes, **(Figure 3)**. Select (1) 12mm Bolt Plate and (1) 12mm Plastic Retainer. Partially thread the Retainer onto the Bolt Plate. Insert the Bolt Plate into the hole and rotate it 90-degrees to go across the slot, **(Figure 4)**. Thread the Retainer all the way down the Bolt Plate and tight against the body panel, **(Figure 5)**. **NOTE:** The Plastic Retainer is designed to prevent the Bolt Plate from falling into the body panel and to aid in installing the Bracket.
- Select (1) Mounting Bracket and secure it to the Bolt Plate with (1) 12mm x 24mm Flat Washer and (1) 12mm Serrated Flange Nut, **(Figure 6)**. Do not tighten hardware at this time.
- Line up the (2) small slots in the Bracket with the (2) holes in the pinch weld. Bolt the Bracket to the outside of the pinch weld with (2) 6mm x 25mm Hex Bolts, (2) 6mm x 22mm Large Flat Washers, (outside against Bracket), (2) 6mm x 18mm STD Flat Washers, (inside against pinch weld), and (2) 6mm Nylon Lock Nuts, **(Figures 6 & 7)**. Do not tighten hardware at this time.
- Repeat **Steps 1 – 3** to install the center and rear Brackets, **(Figure 2)**.
- Select (1) Running Board. Slide the T-Bolts forwards or back to line up the slots in the previously installed (3) Mounting Brackets, **(Figure 8)**. Carefully place the Running Board in position on top of the Brackets. Hold the Running Board up to the vehicle at a slight angle and gently push it into the slots on the Brackets. Secure the Running Board to the Brackets with (6) 6mm x 22mm Large Flat Washers, (6) 6mm Lock Washers and (6) 6mm Hex Nuts, **(Figure 9)**. Do not tighten hardware at this time.
- Level and adjust the Running Board and tighten all hardware.
- Repeat **Steps 1 – 6** to install (1) Running Board on the passenger side.
- Do periodic inspections to the installation to make sure that all hardware is secure and tight.

**To protect your investment**, wax this product after installing. Regular waxing is recommended to add a protective layer over the finish. Do not use any type of polish or wax that may contain abrasives that could damage the finish. Mild soap may be used to clean the Running Board.

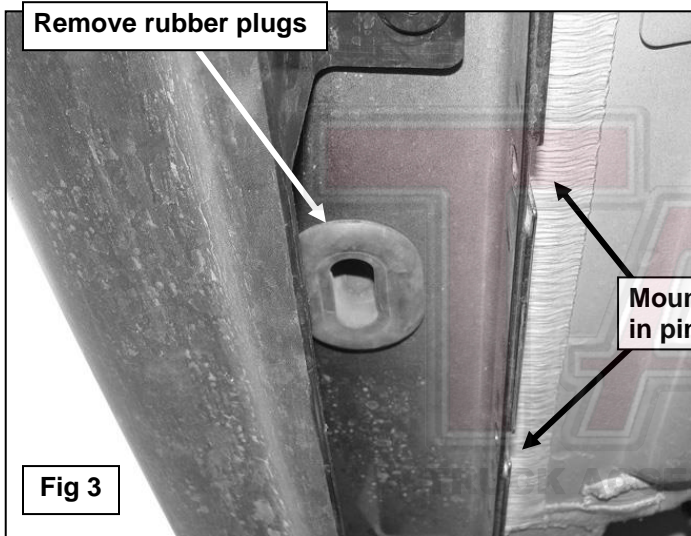
VALUE RUNNING BOARD  
2011-2024 DODGE DURANGO (EXCLUDING R/T, GT/GT PLUS/SRT MODELS)  
**Driver Side Installation Pictured**



**(Fig 1) Driver side front mounting location**



**(Fig 2) Driver side rear mounting location**

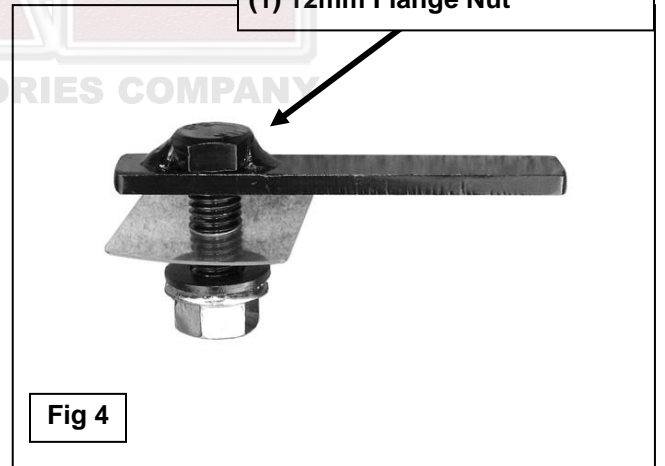


Remove rubber plugs

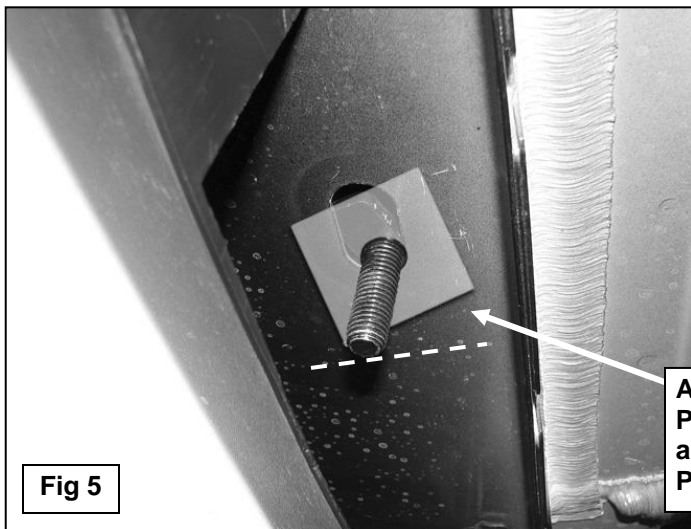
Mounting holes  
in pinch weld

**Fig 3**

- (1) 12mm x 40mm Bolt Plate
- (1) 12mm Plastic Retainer
- (1) 12mm x 24mm Flat Washer
- (1) 12mm Flange Nut



**Fig 4**

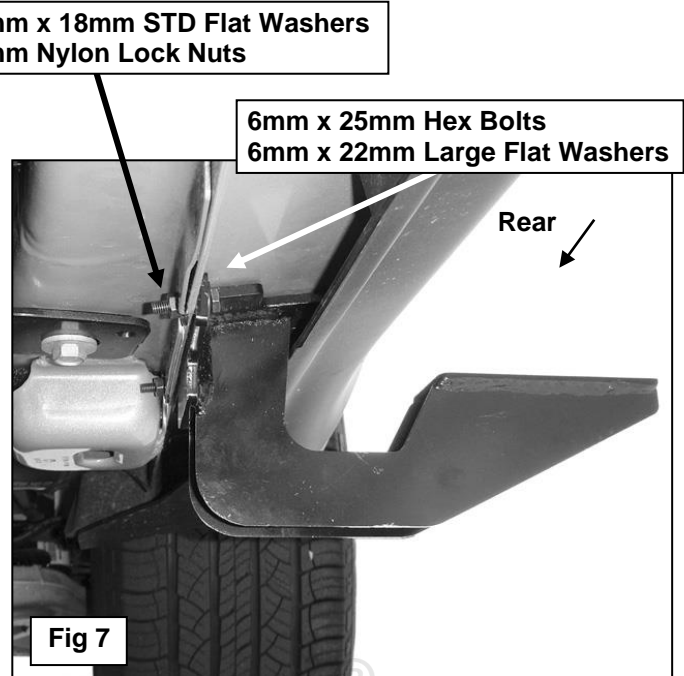
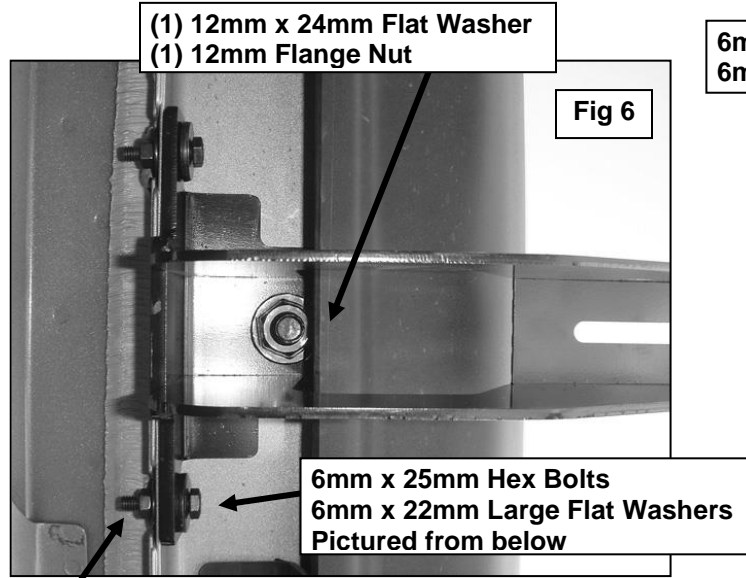


**Fig 5**

After inserting, rotate Bolt  
Plate 90-degrees to go  
across the slot or until Bolt  
Plate stops



**Driver Side Installation Pictured**



6mm x 18mm STD Flat Washers  
6mm Nylon Lock Nuts

