



INSTALLATION INSTRUCTIONS

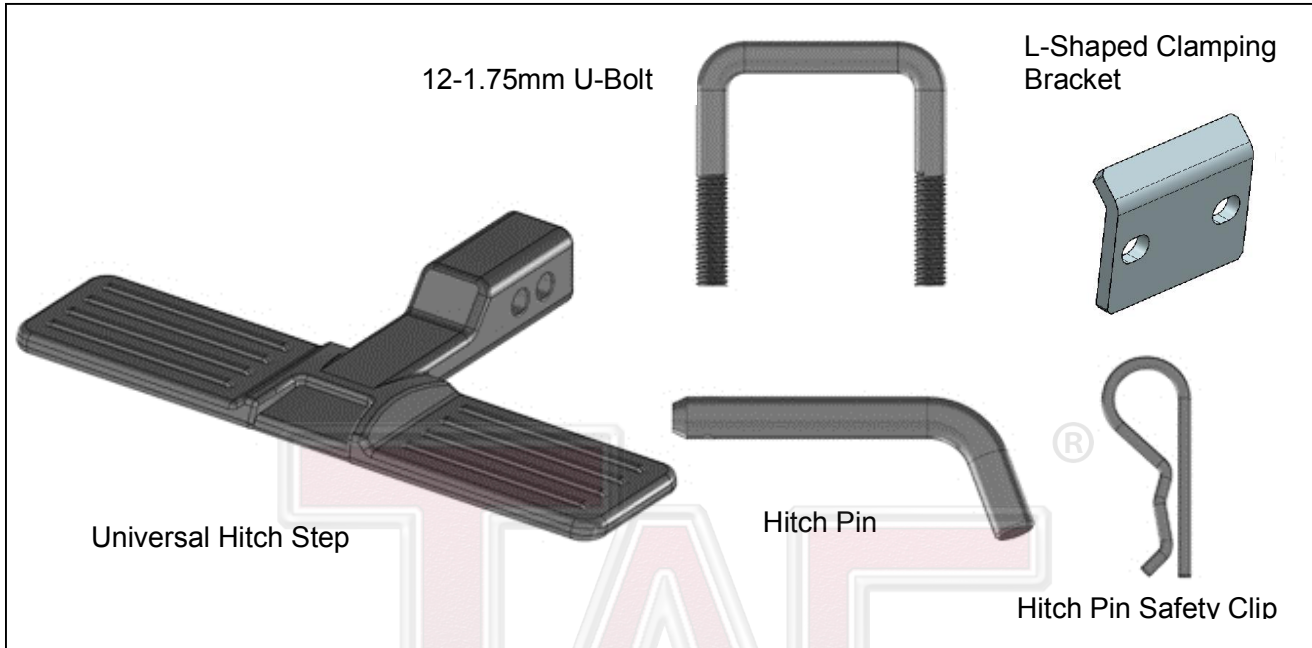
UNIVERSAL HITCH STEP

PART#HT-U07

TRUCK ACCESSORIES COMPANY

PARTS LIST:

1	Universal Hitch Step	2	12mm Hex Nuts
1	Hitch Pin	2	12mm Ball Nuts
1	Hitch Pin Safety Clip	1	12-1.75mm U-Bolt
2	12mm x 27mm x 2mm Flat Washers	1	L-Shaped Clamping Bracket
2	12mm Lock Washers		

**PROCEDURE:**

- 1. REMOVE CONTENTS FROM BOX. VERIFY ALL PARTS ARE PRESENT. READ INSTRUCTIONS CAREFULLY.**
- Select the (1) Universal Hitch Step and insert into the receiver tube. Lock in place with (1) Hitch Pin and (1) Hitch Safety Clip, **(Figure 1)**.
- Select (1) U-Bolt and (1) L-Shaped Clamping Bracket. Place the U-Bolt over the step insert. Attach L-Bracket, the flat side facing the vehicle, with (2) 12mm Flat Washers and (2) 12mm Lock Washers and (2) 12mm Hex Nuts and (2) 12mm Ball Nuts, **(Figure 2)**.
- Do periodic inspections to the installation to make sure that all hardware is secure and tight.

To protect your investment, Do not use any type of polish or wax that may contain abrasives that could damage the finish. Mild soap may be used to clean the Universal Hitch Step Height Adjuster.

Universal Hitch Step Height Adjuster Installation

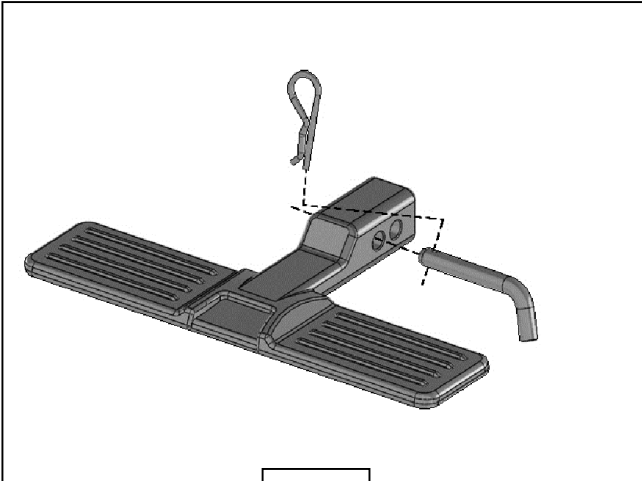


Fig 1

- 10mm U-Bolt
- L-Shaped Clamping Bracket
- (2)12mm Flat Washers
- (2)12mm Lock Washers
- (2) 12mm Hex Nuts
- (2) 12mm Ball Nuts

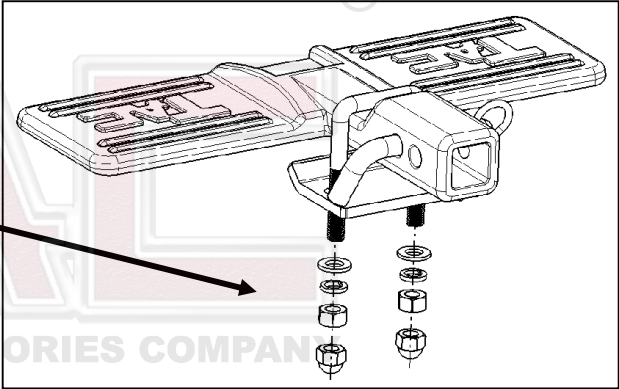


Fig 2

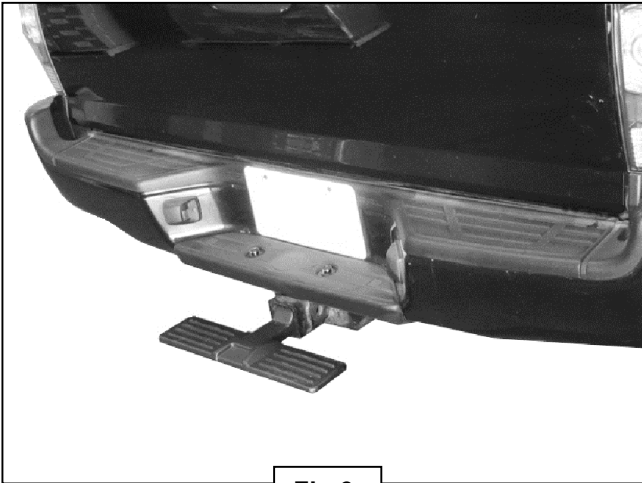


Fig 3