



INSTALLATION INSTRUCTIONS

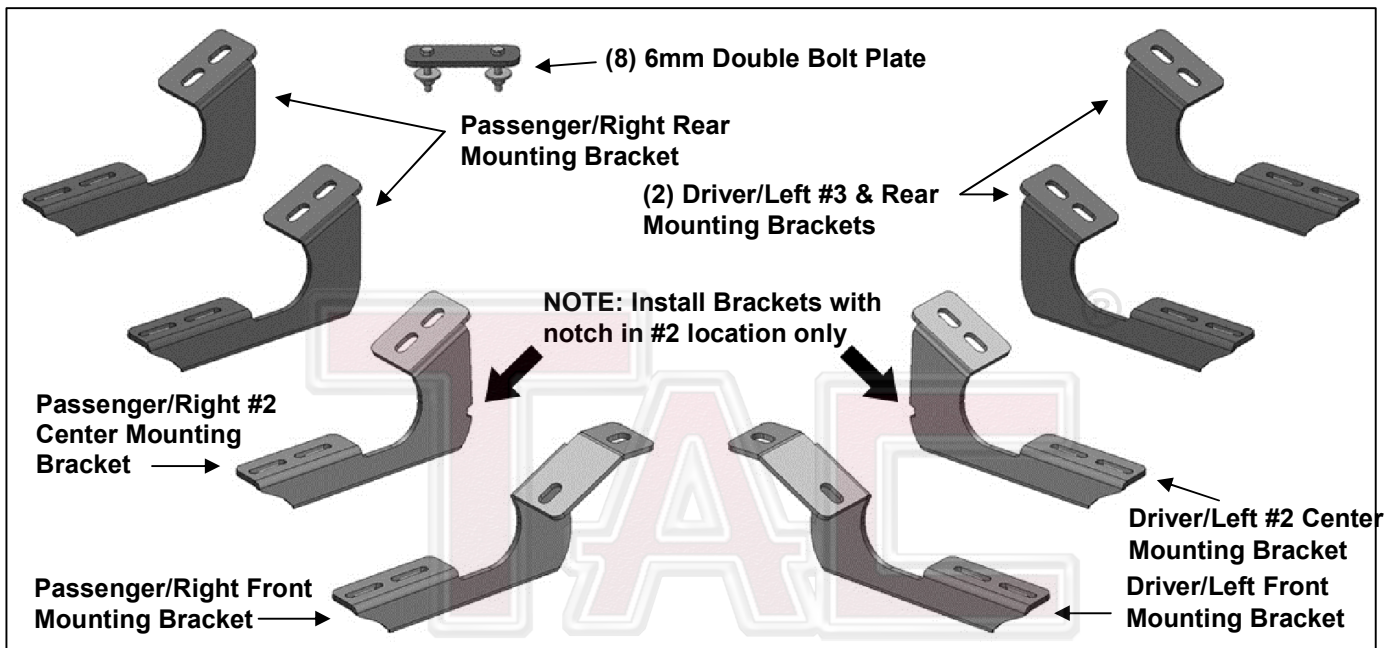
FORMED STEEL RUNNING BOARDS

2007-2021 TOYOTA TUNDRA CREW MAX

PART# FG91T05B+FG91T05BKIT

PARTS LIST:

2	Running Boards (91")	16	8-1.25mm x 25mm Hex Bolts
1	Driver/Left Front Mounting Bracket	16	8mm x 28mm OD x 3mm Flat Washers
1	Passenger/Right Front Mounting Bracket	16	8mm Lock Washers
1	Driver/Left #2 Mounting Bracket	8	6mm Double Bolt Plates
1	Passenger/Right #2 Mounting Bracket	16	6mm x 22mm x 2mm Flat Washers
2	Driver/Left #3 & Rear Mounting Brackets	16	6mm Lock Washers
2	Passenger/Right #3 & Rear Mounting Brackets	16	6mm Hex Nuts



PROCEDURE:

REMOVE CONTENTS FROM BOX. VERIFY ALL PARTS ARE PRESENT. READ INSTRUCTIONS CAREFULLY. ASSISTANCE IS RECOMMENDED.

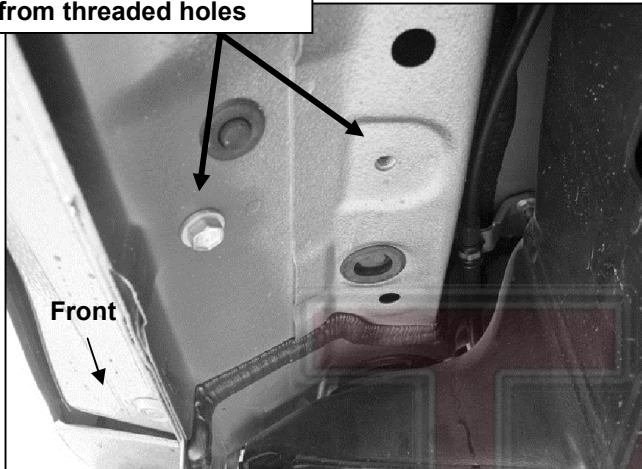
- Starting on the driver/left side of the vehicle, remove the existing (2) factory bolts, (or plastic plugs), on the side panel located by the front tire opening, (**Figure 1**). This will be the mounting location for the driver/left front Mounting Bracket.
- Select the driver/left Front Bracket, (**Figure 2**). Attach the Bracket to the vehicle with the included (2) 8mm x 25mm Hex Bolts, (2) 8mm Lock Washers and (2) 8mm Flat Washers, (**Figure 2**). Do not tighten hardware at this time.
- Move along the side panel to the next #2 mounting location closest to the front Bracket, (**Figure 3**). Repeat **Step 2 & 3** to install the driver/left side #2/Center Bracket, (**Figures 4 & 10**). **IMPORTANT: #2 Bracket features notch on Bracket for identification purposes.**
- Next, move to the next mounting location (#3) along the side panel, (**Figure 5**). Select (1) driver/left #3/Rear Bracket, (**Figure 6**). Repeat **Steps 2 & 3** to install the #3 Bracket, (**Figures 6 & 13**). Repeat this **Step** to install the remaining driver/left #3/Rear Bracket in the rear mounting location at the back of the cab, (**Figures 7 & 14**).
- Carefully unwrap (1) Running Board. Place the Running Board on top of the Brackets. Locate the channels in the bottom of the Running Board. Select (4) 6mm Double Bolt Plates, (**Figure 8**). Insert the Bolt Plates into the channels in the bottom of the Running Board closest to the Brackets, (**Figure 9**). Lift the Running Board up and guide the studs down through the Brackets.
- Attach the Running Board to the Mounting Brackets with the included (8) 6mm Flat Washers, (8) 6mm Lock Washers and (8) 6mm Hex Nuts, (**Figures 10—14**). Do not tighten at this time.
- Level and adjust the Running Board and tighten all hardware.
- Repeat **Steps 2—8** for passenger/right Running Board installation.

9. Do periodic inspections to the installation to make sure that all hardware is secure and tight.

To protect your investment, Do not use any type of polish or wax that may contain abrasives that could damage the finish. Mild soap may be used to clean the Running Board.

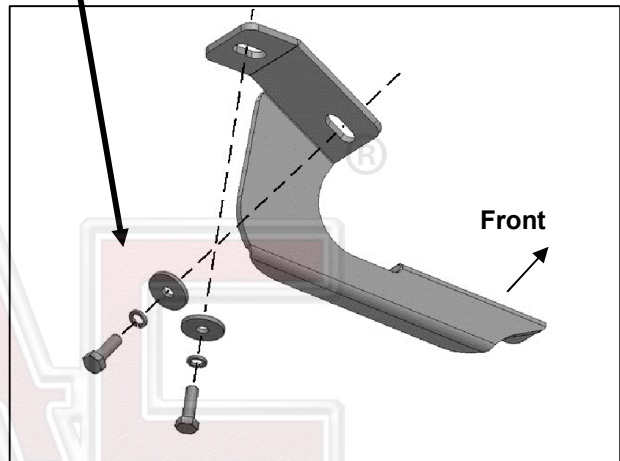
Driver Side Installation Pictured

Remove plastic plugs (if equipped) or hex bolts from threaded holes

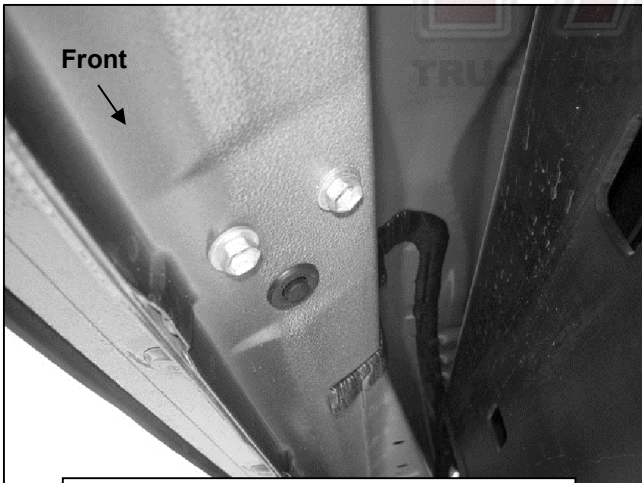


(Fig 1) Driver/left Front Mounting Location Pictured

(2) 8mm x 25mm Hex Bolts
(2) 8mm Lock Washers
(2) 8mm Flat Washers

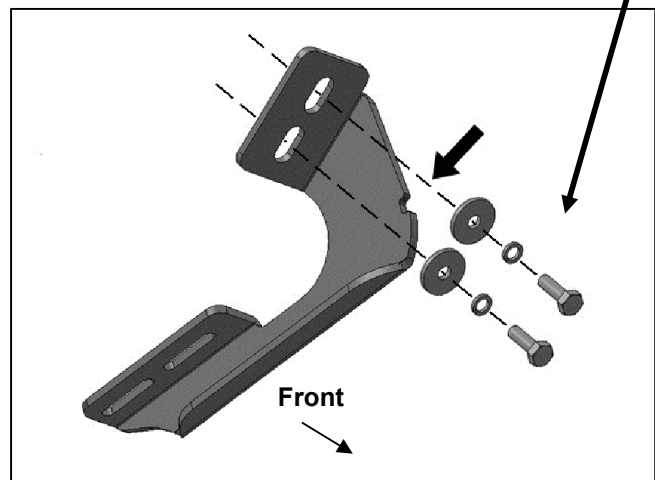


(Fig 2) Attach driver/left front Mounting Bracket



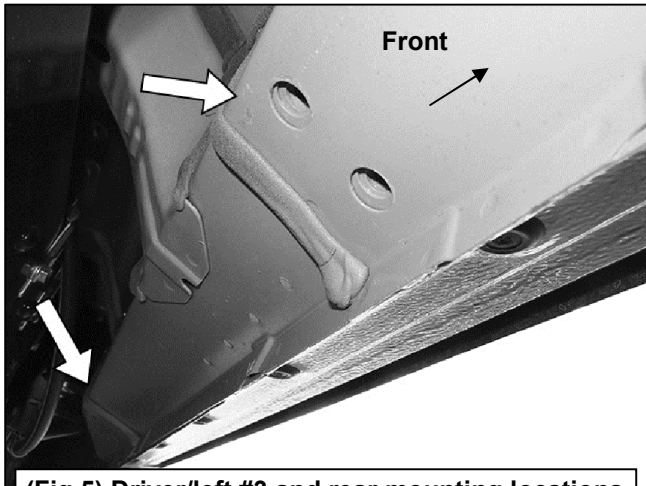
(Fig 3) Driver/left #2 mounting location

(2) 8mm x 25mm Hex Bolts
(2) 8mm Lock Washers
(2) 8mm Flat Washers

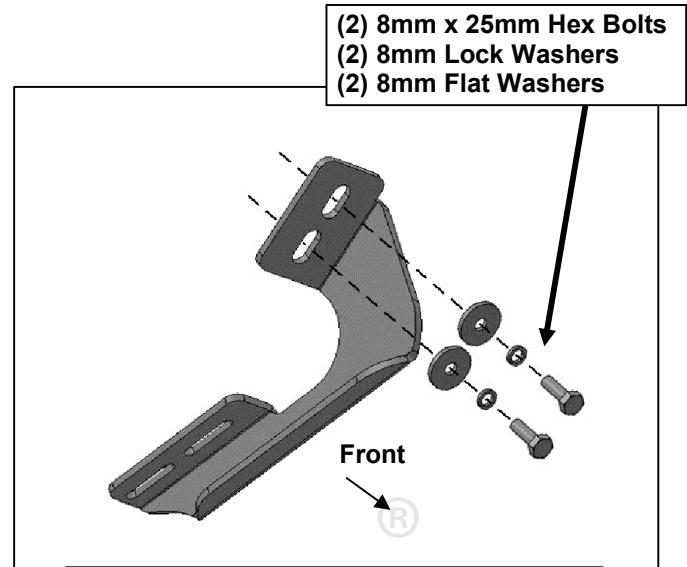


(Fig 4) Attach driver/left #2 Mounting Bracket. NOTE: Notch on back of Bracket for identification (arrow)

Driver Side Installation Pictured

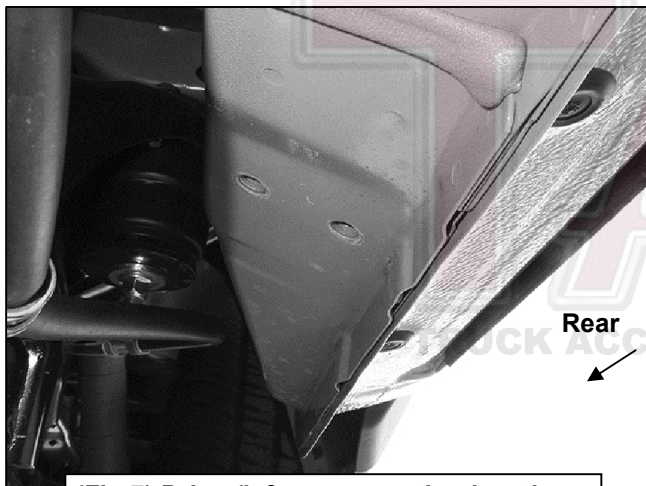


(Fig 5) Driver/left #3 and rear mounting locations

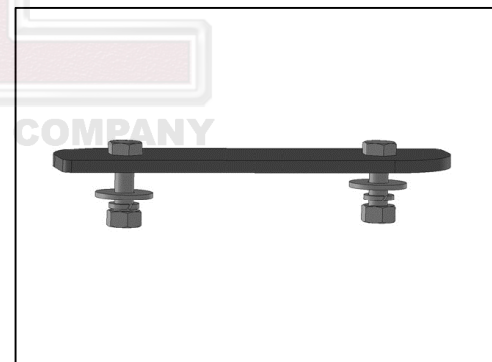


- (2) 8mm x 25mm Hex Bolts
- (2) 8mm Lock Washers
- (2) 8mm Flat Washers

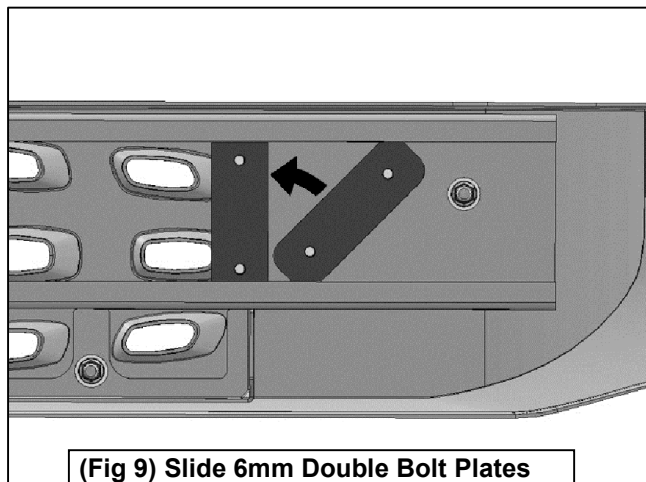
(Fig 6) Attach driver/left #3 Bracket.
NOTE: #3 and rear Brackets are the same



(Fig 7) Driver/left rear mounting location

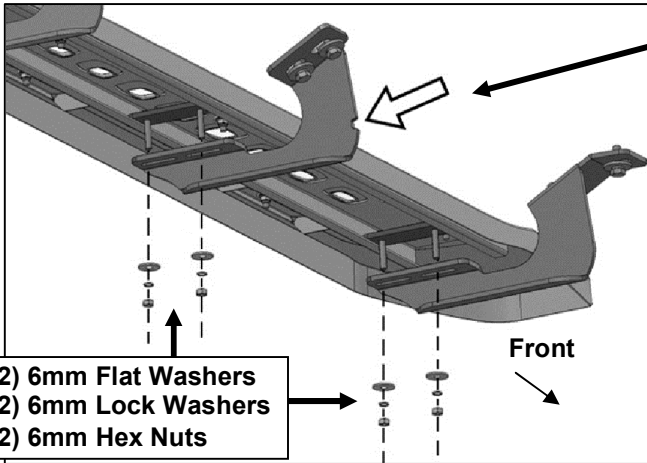


(Fig 8) 6mm Double Bolt Plate



(Fig 9) Slide 6mm Double Bolt Plates
into track on bottom of Running Board

Driver Side Installation Pictured

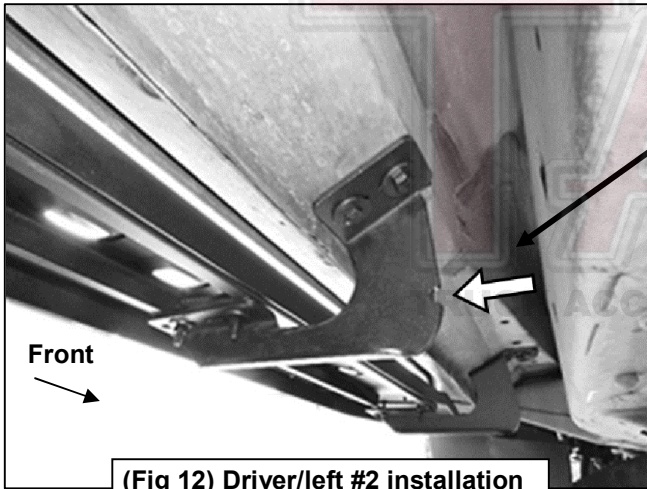


Note notch to identify #2 Brackets only

(Fig 10) Guide Bolt Plates on Running Board down through Brackets. Attach Running Board to Brackets. (Front and #2 Brackets illustrated)

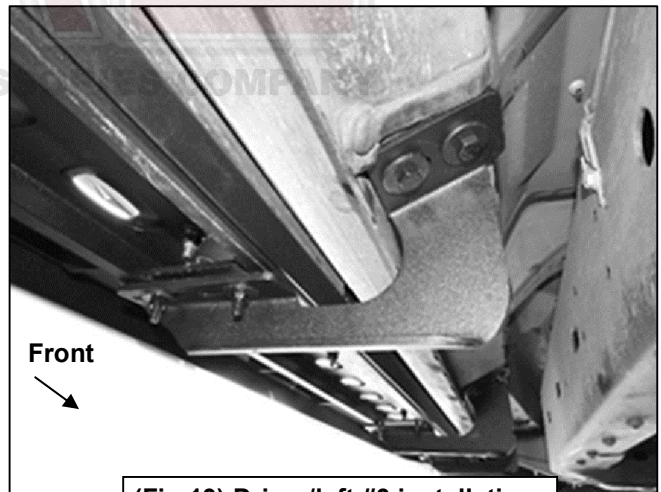


(Fig 11) Driver/left front installation



Note notch to identify #2 Brackets only

(Fig 12) Driver/left #2 installation



(Fig 13) Driver/left #3 installation



(Fig 14) Driver/left rear installation pictured from below