



INSTALLATION INSTRUCTIONS

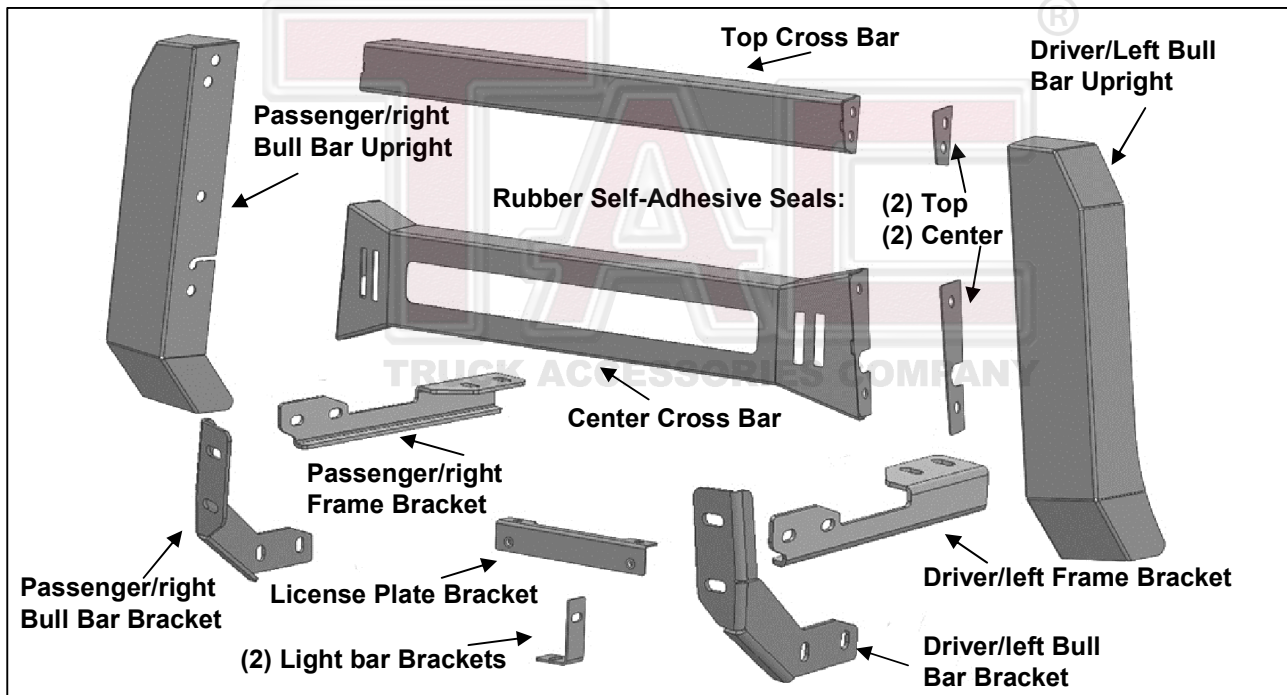
MESH EC1 MODULAR BULL BAR

2007-2021 TOYOTA TUNDRA / 2008-2022 TOYOTA SEQUOIA

PART# EC1-T101TM

PARTS LIST:

1	Driver/Left Side Bull Bar Upright	12	10mm x 30mm x 2.5mm Flat Washers
1	Passenger/Right Side Bull Bar Upright	16	10mm x 20mm x 2mm Flat Washers
1	Top Cross Bar	16	10mm Lock Washers
1	Center Cross Bar	12	10-1.5mm Hex Nuts
1	Driver/Left Side Frame Bracket	4	8-1.25mm x 25mm Hex Bolts
1	Passenger/Right Side Frame Bracket	2	8-1.25mm x 16mm Hex Bolts
1	Driver/Left Side Bull Bar Bracket	8	8mm x 24mm x 2mm Flat Washers
1	Passenger/Right Side Bull Bar Bracket	4	8mm Lock Washers
1	Mesh Fill Panel	4	8mm Hex Nuts
2	Light Bar Brackets	2	6-1.0mm x 20mm Button Head Combo Bolts
1	License Plate Bracket	2	6-1.0mm x 20mm Button Head Bolts
2	Black Rubber Self-Adhesive Top Seal	4	6mm x 18mm x 1.6mm Flat Washers
2	Black Rubber Self-Adhesive Center Seal	2	6mm Lock Washers
4	10-1.5mm x 35mm Hex Bolts	2	6mm Hex Nuts
12	10-1.5mm x 25mm Hex Bolts	1	4mm Allen Wrench



PROCEDURE:

REMOVE CONTENTS FROM BOX. VERIFY ALL PARTS ARE PRESENT. READ INSTRUCTIONS CAREFULLY BEFORE STARTING INSTALLATION. INSTALLATION MAY INTERFERE WITH FRONT MOUNTED SENSORS.

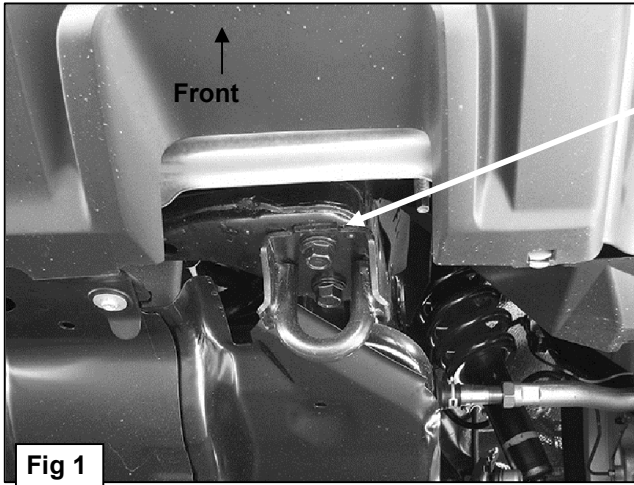
1. Start installation at the driver front side of the vehicle. Remove the tow hook, **(Figures 1 & 2)**.
2. Select the driver side Frame Bracket, **(Figures 3 & 4)**. Check the fit between the tow hook and the Bracket for reinstallation over the Bracket. **NOTE:** Some factory tow hooks may not clear the Bracket and cannot be reinstalled. Check for fit before bolting tow hook and Bracket in place.
3. Attach the Bracket to the underside of the frame channel reusing the factory tow hook bolts, either with or without the tow hook, **(Figures 3 & 4)**. Do not fully tighten hardware at this time.
4. Select (1) driver/left side Bull Bar Bracket, **(Figure 4)**. Position the Bull Bar Bracket on the inside of the Frame Bracket. Attach the Bull Bar Bracket to the Frame Bracket with the included (2) 10mm x 35mm

Hex Bolts, (4) 10mm x 30mm Flat Washers, (2) 10mm Lock Washers and (2) 10mm Hex Nuts, **(Figures 4 & 5)**. Do not fully tighten hardware at this time.

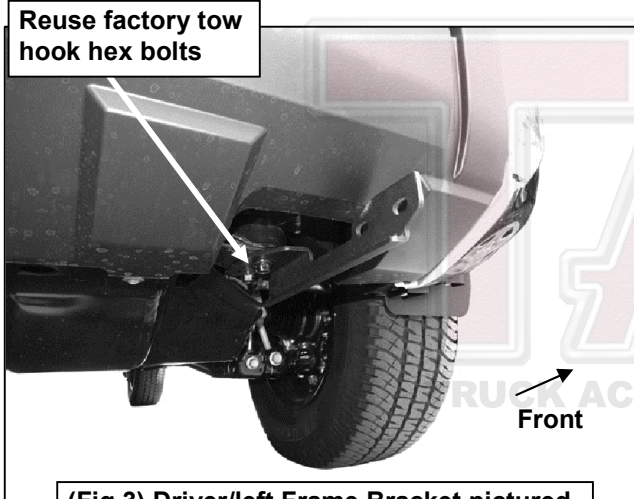
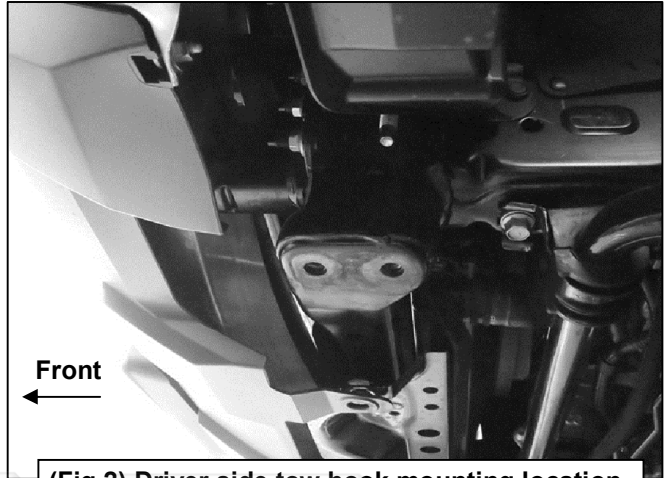
5. Repeat **Steps 1—4** for passenger side Frame and Bull Bar Bracket installation.
6. Select the driver/left Bull Bar Upright and the Top Cross Bar, **(Figure 6)**. Attach the Black Rubber Self-Adhesive Top Seal between the Upright and Top Cross Bar. Attach the Cross Bar to the Upright with the included (2) 10mm x 25mm Hex Bolts, (4) 10mm x 20mm Flat Washers, (2) 10mm Lock Washers and (2) 10mm Hex Nuts, **(Figure 6)**. Do not fully tighten hardware.
7. Select the Center Cross Bar, **(Figure 6)**. Attach the longer Black Rubber Self-Adhesive Center Seal between the Upright and the Center Cross Bar. Repeat **Step 6** to attach the Center Cross Bar to the Upright, **(Figure 6)**. Do not fully tighten hardware.
8. Repeat **Steps 6 & 7** to attach the passenger side Upright to the Top Cross Bar and Center Cross Bar. Place assembled Bull Bar face down on a clean flat surface and fully tighten Bull Bar assembly hardware only at this time.
9. Relocation of front license plate may be necessary.
 - a. Attach the License Plate Bracket to bottom of Center Cross Bar with (2) 6mm Button Head Bolts, (4) 6mm Flat Washers, (2) 6mm Lock Washers and (2) 6mm Hex Nuts, **(Figure 7)**.
 - b. Attach license plate to Bracket with (2) 6mm Button Head Combo Bolts, **(Figure 7)**.
10. LED light installation, (optional-light available separately).
 - a. Start at the driver/left side of the vehicle. Select (1) Light Bar Bracket. Attach the Bracket to the slot in the back of the Center Cross Bar with (1) 8mm x 25mm Hex Bolt, (2) 8mm Flat Washers, (1) 8mm Lock Washer and (1) 8mm Hex Nut, **(Figure 8)**. **NOTE:** Check for clearance between the Hex Bolt and the bottom of the Light. If necessary, insert the Hex Bolts down through the Brackets then through slots in the Cross Bar. Leave hardware loose at this time.
 - b. Repeat the previous **Step** to attach the passenger/right Light Bracket.
 - c. If needed, use the included (2) 8mm x 16mm Hex Bolts, (2) 8mm Lock Washers and (2) 8mm Flat Washers to attach the LED light bar to the Brackets, **(Figure 8)**.
 - d. Follow light manufacturer's instructions to properly wire the light bar to the electrical system.
 - e. Proceed to **Step 12**.
11. Center Screen Fill Panel Installation, (cannot be installed with LED light).
 - a. Select (1) "L" Light Bar Bracket. Attach the Bracket to the outside of the tab on the Center Screen Fill Panel with (1) 8mm x 25mm Hex Bolt, (2) 8mm Flat Washers, (1) 8mm Lock Washer and (1) 8mm Hex Nut, **(Figure 9)**. **NOTE:** Insert the Hex Bolt through the tab on the Panel and out through the Bracket. Repeat to attach the remaining Bracket to the other end of the Fill Panel. Leave hardware loose at this time.
 - b. Attach the Fill Panel with Brackets to the slots in the back of the Center Cross Bar with (2) 8mm x 25mm Hex Bolts, (4) 8mm 24mm Flat Washers, (2) 8mm Lock Washers and (2) 8mm Hex Nuts, **(Figure 9)**. **NOTE:** Insert the Hex Bolts up through the bottom of the Cross Bar and then through the Brackets.
 - c. Push the Fill Panel up tight against the inside of the opening and fully tighten hardware.
12. With assistance, hold the assembled Bull Bar up to the Bull Bar Brackets. Attach the Brackets to the (2) bottom holes in each Upright on the Bull Bar assembly with (4) 10mm x 25mm Hex Bolts, (4) 10mm Lock Washers and (4) 10mm x 30mm Large Flat Washers, **(Figure 10)**.
13. Level and adjust the Bull Bar properly and tighten all hardware.
14. Do periodic inspections to the installation to make sure that all hardware is secure and tight.

To protect your investment, wax this product after installing. Regular waxing is recommended to add a protective layer over the finish. Do not use any type of polish or wax that may contain abrasives that could damage the finish. Mild soap may be used to clean the Bull Bar.

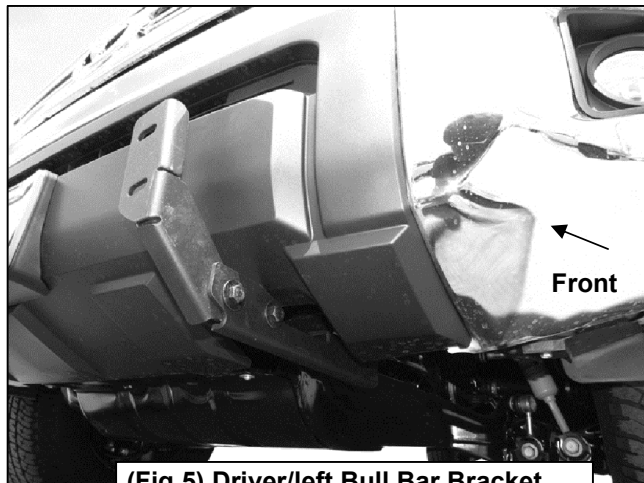
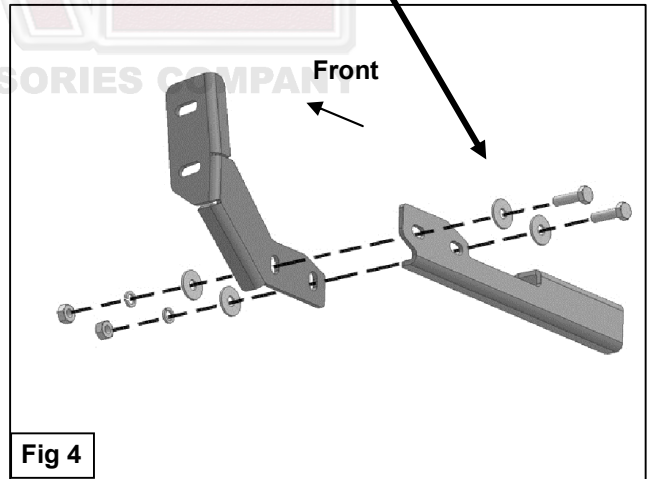
Driver/Left Side Installation Pictured



Remove (2) factory hex bolts to remove tow hook. Small tow hook pictured



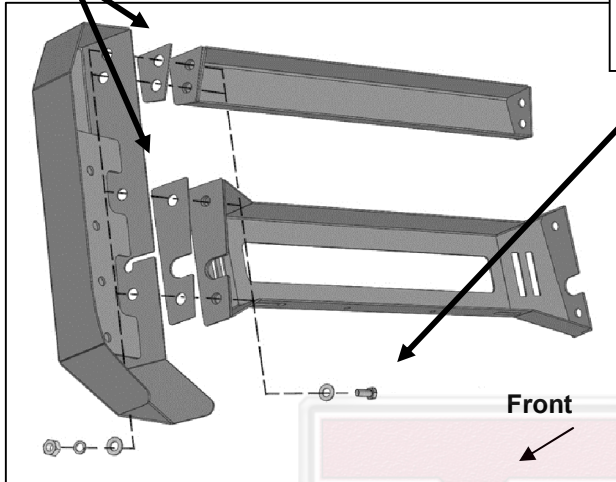
- (2) 10mm x 35mm Hex Bolts
- (4) 10mm x 30mm Flat Washers
- (2) 10mm Lock Washers
- (2) 10mm Hex Nuts



Driver/Left Side Installation Pictured

Insert Adhesive Backed Rubber Seals between Uprights and Top and Center Cross Bars

- (4) 10mm x 25mm Hex Bolts
- (8) 10mm x 20mm Flat Washers
- (4) 10mm Lock Washers
- (4) 10mm Hex Nuts



(Fig 6) Attach Top and Center Crossbars to Uprights

- (2) 6mm Button Head Bolts
- (4) 6mm Flat Washers
- (2) 6mm Lock Washers
- (2) 6mm Hex Nuts

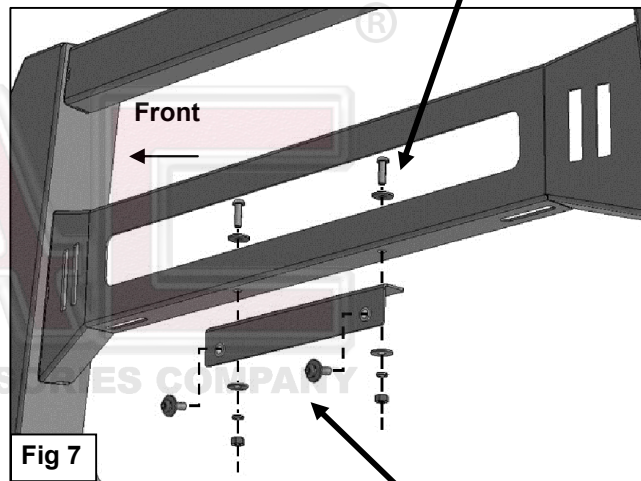
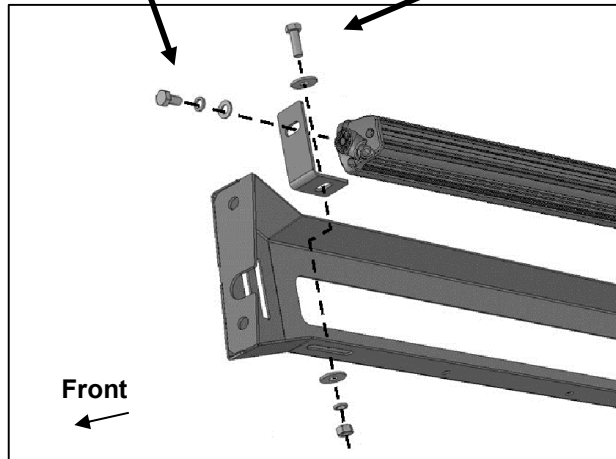


Fig 7

- (2) 6mm Button Head Combo Bolts

- 8mm x 16mm Hex Bolt
- 8mm Lock Washer
- 8mm Flat Washer

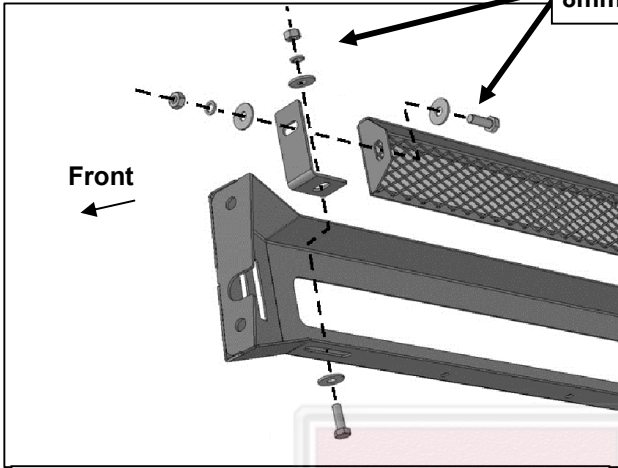
- 8mm x 25mm Hex Bolt
- (2) 8mm Flat Washers
- 8mm Lock Washer
- 8mm Hex Nuts



(Fig 8) Attach "L" Light Brackets to slots in bottom of Center Cross Bar. Attach LED Bar light to Brackets. NOTE: Optional LED light available separately.

Driver/Left Side Installation Pictured

- 8mm x 25mm Hex Bolt
- (2) 8mm Flat Washers
- 8mm Lock Washer
- 8mm Hex Nut



(Fig 9) Attach Center Fill Panel to "L" Brackets

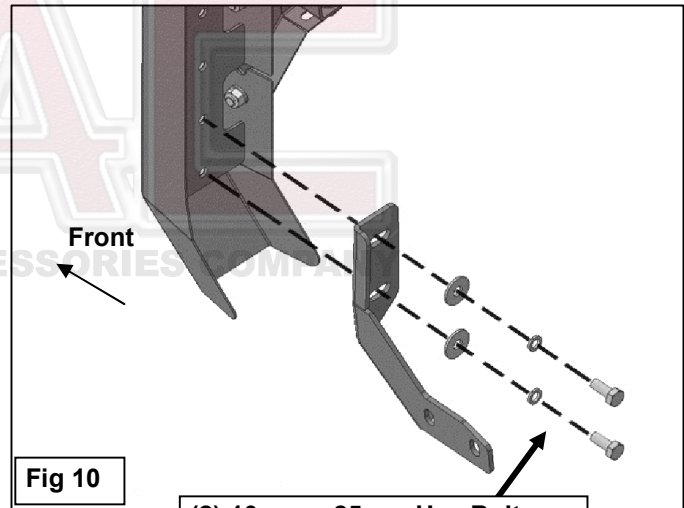
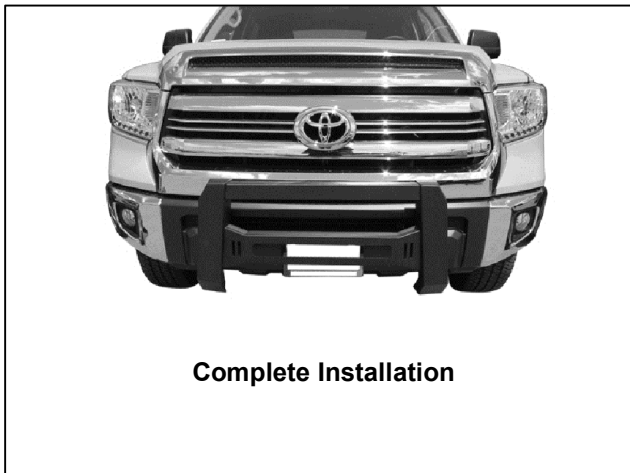


Fig 10

- (2) 10mm x 25mm Hex Bolts
- (2) 10mm Lock Washers
- (2) 10mm x 30mm Flat Washers



Complete Installation